



LED Dock Light LED-2030B/M

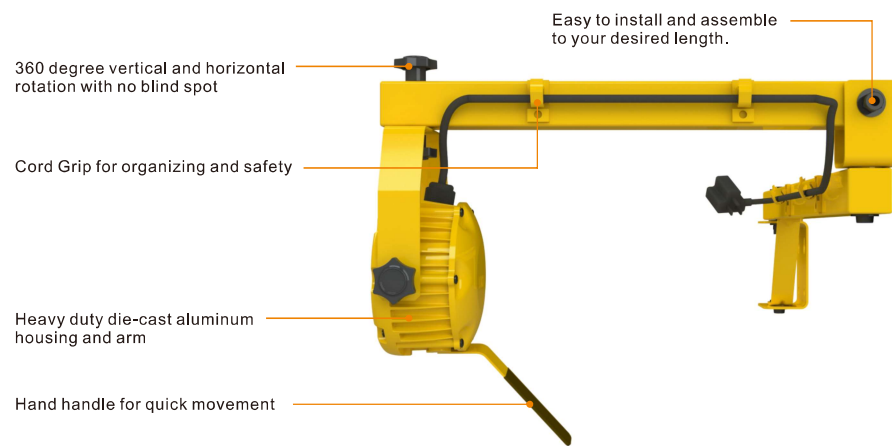
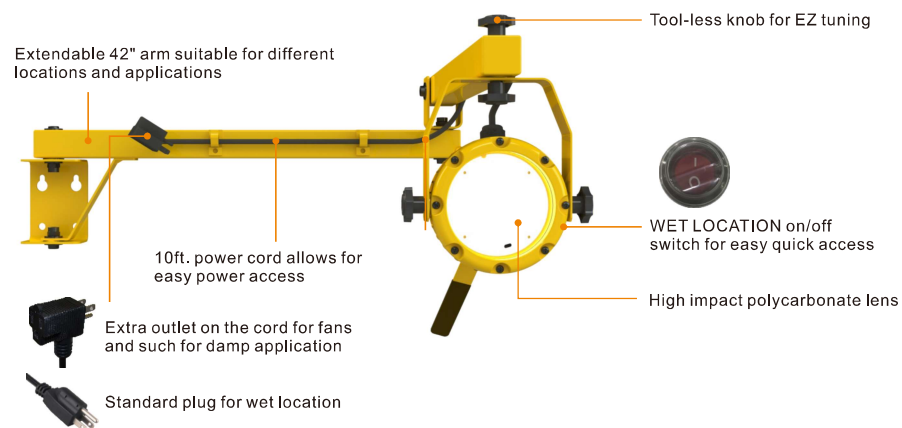
Product Description:



LED-2030B



LED-2030M



* Different LED Kelvin temperature available with 4-6 week lead time. Please call for a quote.
 ** DISCLAIMER: This test report was produced in accordance with IES LM-79 photometric testing protocol for luminaires, using a single representative test fixture, in the values reported here by up to ±10%.



* Different LED Kelvin temperature available with 4-6 week lead time. Please call for a quote.
 ** DISCLAIMER: This test report was produced in accordance with IES LM-79 photometric testing protocol for luminaires, using a single representative test fixture, in the values reported here by up to ±10%.



Warehouse-Lighting.com
 2750 South 163rd St
 New Berlin, WI 53151

Warehouse-Lighting.com
 Phone: 888-454-4480
info@warehouse-lighting.com

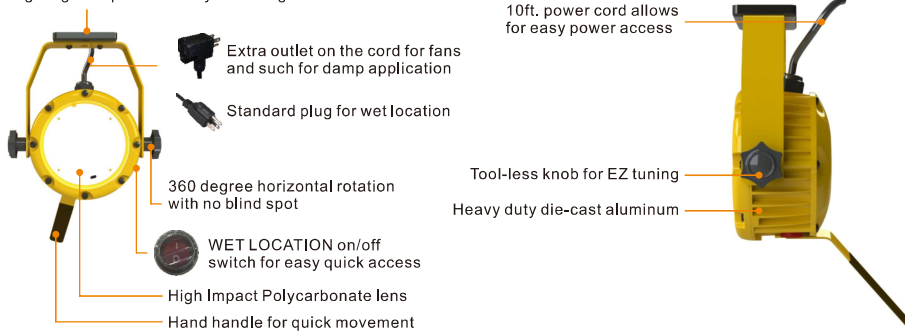




LED Dock Light LED-2030B/M

Product Description:

Strong magnetic plate for easy mounting on varieties of surfaces.



Product Description:

360-degree heavy duty dock light is perfect for different construction sites. With the 42" adjustable arm, this dock light can illuminate areas in any direction. In addition, the adjustable knobs and built-in on/off switch allow for easy access of the fixture. Utilizing high performance lumen output and long lasting driver, this dock light will last for years to come.

Features:

LISTING
▶ UL and CUL listed for damp locations

HOUSING
▶ Heavy duty die-cast aluminum

FINISH
▶ UV stabilized powder coated finish

OPTIONS
▶ Finish - Yellow. Color options with adder

Optional Kelvin color* with adder.

Performance Data:

Model NO.	Nominal Watts	Lumen	Efficacy
LED-2030B/M	28W	3415 lm	122 lm/w

Specification:

Example: LED-2030B / 2030M

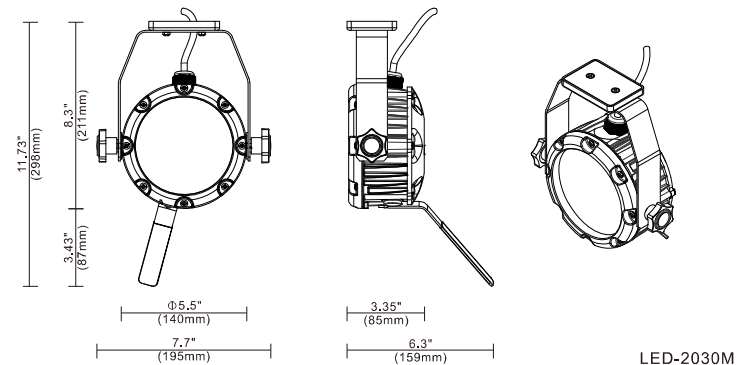
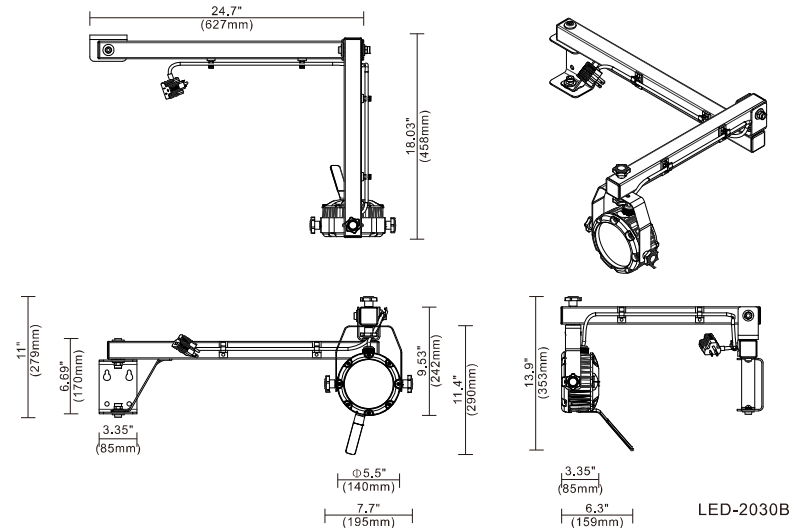
Model No.	Nominal Watts	Input Voltage	CRI	Color Temp*	Finish	Distribution	Option
LED-2030B	28W	UNV= 120-277VAC	7=70+	57=5700 K	Yellow	Type V	BLANK = No Sensor
LED-2030M							

* Different LED Kelvin temperature available with 4-6 week lead time. Please call for a quote.
** DISCLAIMER: This test report was produced in accordance with IES LM-79 photometric testing protocol for luminaires, using a single representative test fixture. Actual production units may vary from the values reported here by up to ±10%.



LED Dock Light LED-2030B/M

Dimension:



* Different LED Kelvin temperature available with 4-6 week lead time. Please call for a quote.
** DISCLAIMER: This test report was produced in accordance with IES LM-79 photometric testing protocol for luminaires, using a single representative test fixture. Actual production units may vary from the values reported here by up to ±10%.

