



LED EVEREST HIGH BAY

INSTALLATION INSTRUCTIONS

⚠ CAUTION

PLEASE READ INSTRUCTIONS BEFORE COMMENCING INSTALLATION AND RETAIN FOR FUTURE REFERENCE.
Electrical products can cause death or injury, or damage to property. If any doubt about the installation or use of this product, consult a competent electrician.

⚠ WARNING

- To reduce the risk of death, personal injury or property damage from fire, electric shock, falling parts, cuts/abrasions, and other hazards read all warnings and instructions included with and on the fixture box and all fixture labels.
- Before installing, servicing, or performing routine maintenance on this fixture, follow these general precautions.
- Commercial installation, service and maintenance of luminaires should be performed by a qualified licensed electrician.
- To prevent wiring damage or abrasion, do not expose wiring to edges of sheet metal or other sharp objects.
- Do not make or alter any open holes in an enclosure of wiring or electrical components during kit installation.

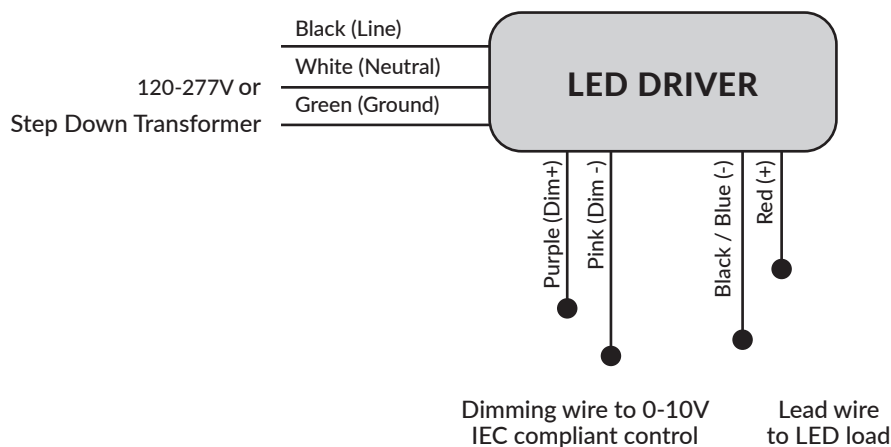
⚠ WARNING

- Turn off electrical power at fuse or circuit breaker box before wiring fixture to the power supply.
- Turn off the power when you perform any maintenance.
- Verify that supply voltage is correct by comparing it with the luminaire label information.
- All wiring connections should be capped with UL approved wire connectors.

⚠ CAUTION

- Avoid direct eye exposure to the light source while it is on.
 - Account for small parts and destroy packing material, as these may be hazardous to children.
 - Risk of burn. Disconnect power and allow fixture to cool before handling fixture.
- NOTICE: Green ground screw provided in proper location. Do not relocate.
NOTICE: Minimum 90° supply conductors.
NOTICE: Specifications and dimensions subject to change without notice.
NOTICE: Suitable for Damp or Dry location.

General Wiring Diagram:





LED EVEREST HIGH BAY

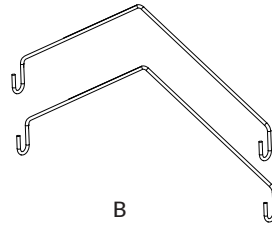
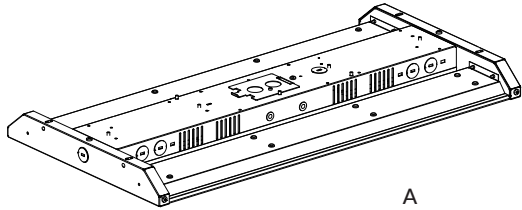
INSTALLATION INSTRUCTIONS

Installation Instructions:

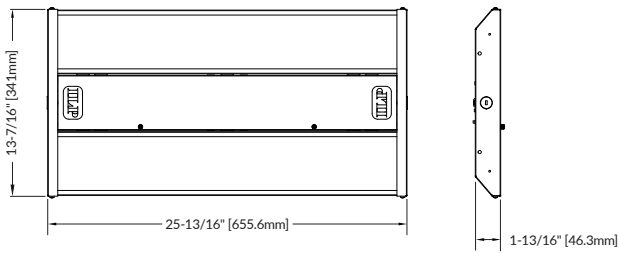
1. Read all Warnings and Installer Notes before proceeding with this installation.
2. Check to ensure all parts listed are included in your installation.

Parts Checklist:

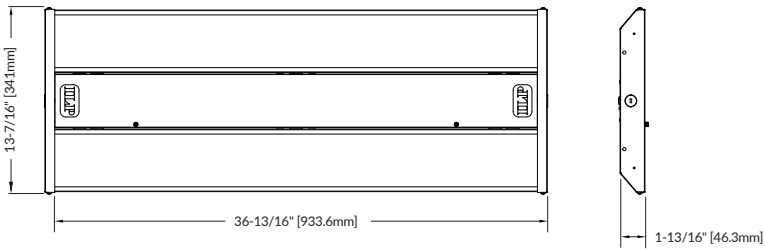
- A: Fixture Body - 1pc
- B: Hanging brackets - 2pcs



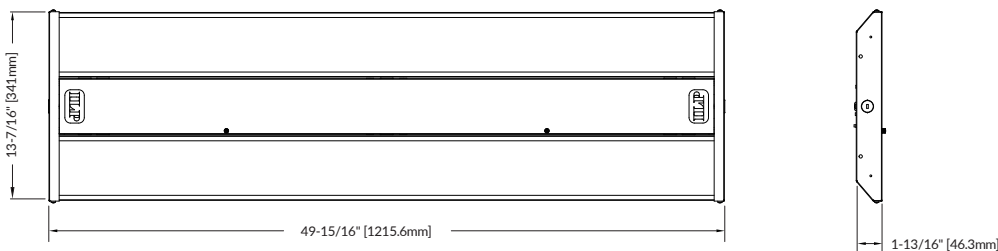
Product Dimension:



EVT-12L-U-XX-FRL 2F
EVT-18L-U-XX-FRL 2F
EVT-24L-U-XX-FRL 2F
EVT-30L-U-XX-FRL 2F



EVT-36L-U-XX-FRL 3F
EVT-42L-U-XX-FRL 3F



EVT-56L-U-XX-FRL 4F



LED EVEREST HIGH BAY

INSTALLATION INSTRUCTIONS

Installation Guide

A. Chain Kit Mounting

- Loop the hanging chain (not provided) through each hanging bracket. Secure the other end of the chain to a structure using hardware rated for the load. Insert hook-end of hanging bracket through mounting holes on each side of the fixture body. *Make sure the wire hangers are fully engaged into the side holes on the top channel. (Figure 1)

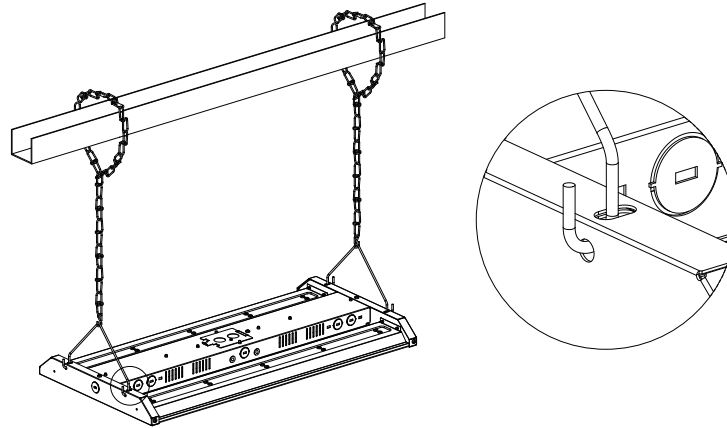


Figure 1

B. Cable Kit Mounting

- Secure the end of the aircraft cable (not provided) to a structure using hardware rated for the load. Insert each cable's toggle plates into the oval holes located at each end of the fixture. *Pull on each cable to make sure the toggle plates are securely in place. (Figure 2)

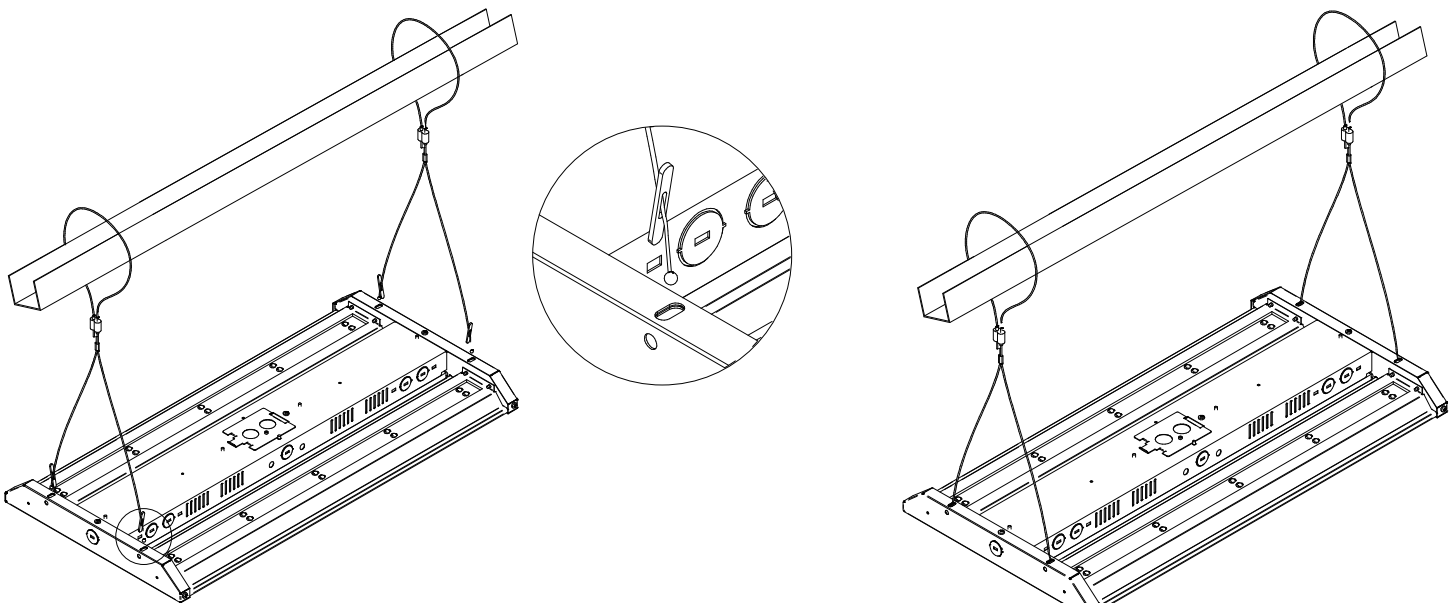


Figure 2



LED EVEREST HIGH BAY

INSTALLATION INSTRUCTIONS

Installation Guide

C. Surface Mounting

- Screw the brackets from the EVT SMB accessory onto the four corner holes with M5 screws. (Figure 3)
- Install the fixture with brackets onto the mounting surface with 4pcs M4 screws and expanded rubber stoppers. (Figure 4)

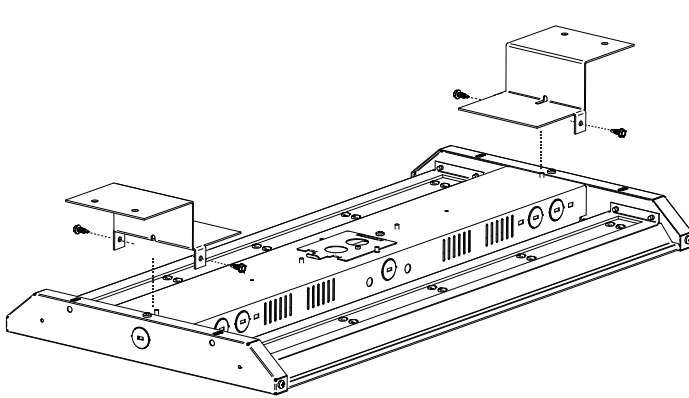


Figure 3

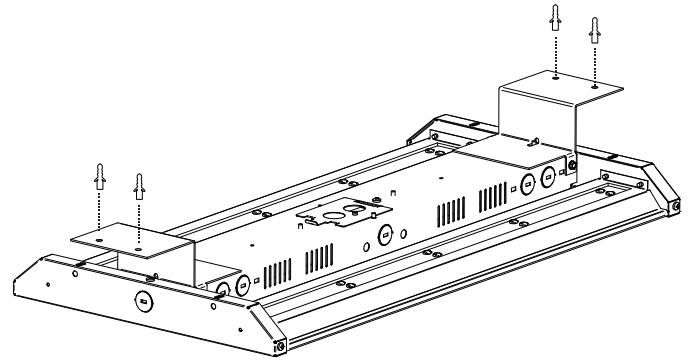


Figure 4

D. Conduit HUB ¾ Pendant Mounting

- Install the Mounting Box to Pendant Stem (provided by others) and the fixture housing center, secure them with supplied screws and washers. (Figure 5)
- Feed wires through Pendant Stem and into Mounting Box. Wire the fixture leads to supply wires. (Refer to Wiring Guide)
- Tuck wires into Mounting Box, install Side Panels with supplied screws. Be careful not to pinch wires.

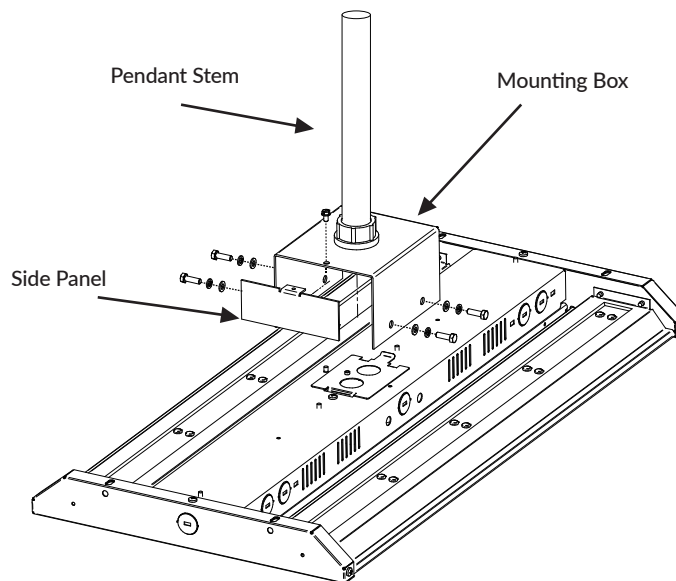


Figure 5



LED EVEREST HIGH BAY

INSTALLATION INSTRUCTIONS

Installation Guide

E. Wire Guard

- Extend the wire guard so it passes the mounting tabs of the endplate and slide it onto the fixture. Install the clips on the wire guard at the bend tab locations. (Figure 6)
- Align the clips with holes located on the top side of the led channel. Install and torque screws until flushed to clips. (Figure 7)

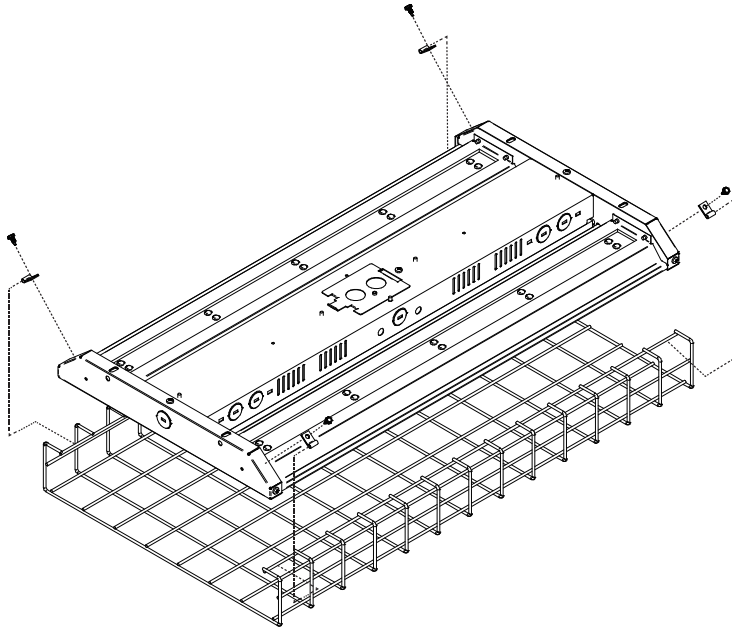


Figure 6

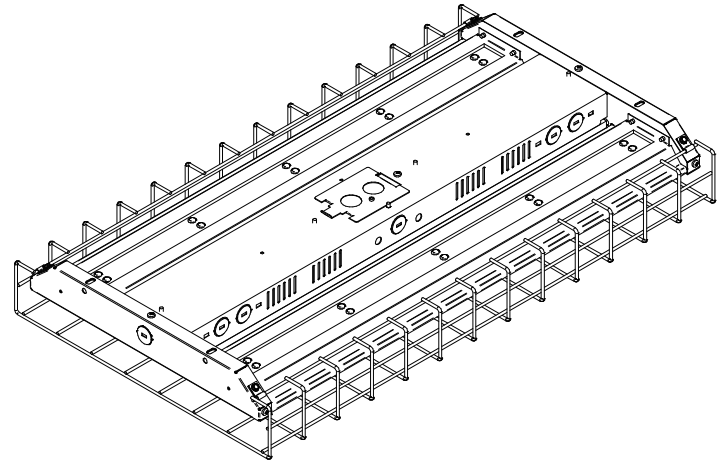


Figure 7

Wiring Guide

- ALWAYS TRUN OFF THE POWER SUPPLY FROM MAIN CIRCUIT BREAKER FIRST!
- Locate the wiring compartment access panel on the back of the fixture body and remove the screw to open the access panel, set screw aside. (Figure 8)
- Remove conduit knockout on access panel, route supply pigtail leads through access panel and secure with appropriate conduit adapter (not supplied). (Figure 9)

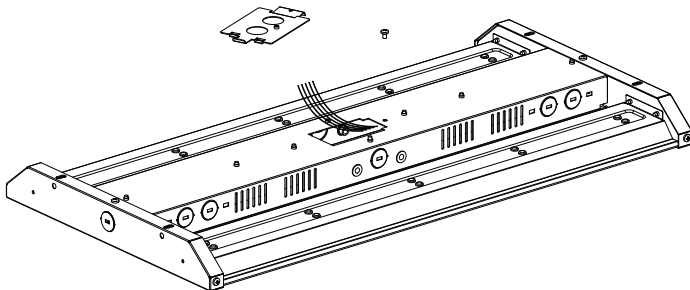


Figure 8

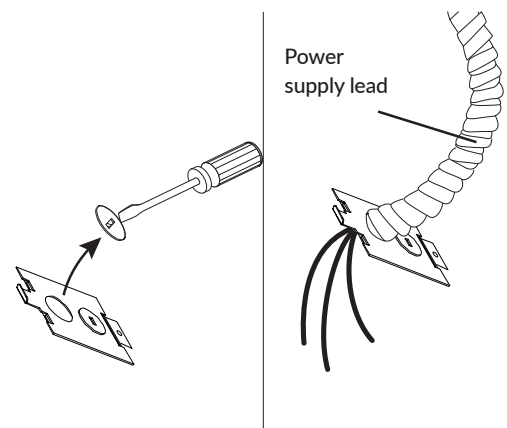


Figure 9



LED EVEREST HIGH BAY

INSTALLATION INSTRUCTIONS

Wiring Guide

Wiring Connections A:

- Connect the LED high bay wiring to line wire, black to black, white to white, and green to ground wire; secure each connection with wire nuts. Purple & grey leads inside the driver compartment are 0-10V (low voltage) dimming leads, connect to incoming dimming low voltage wiring when controlling luminaire light levels via external signal. (Figure 10-A)
- Secure access panel with original screw to complete installation. (Figure 11-A)

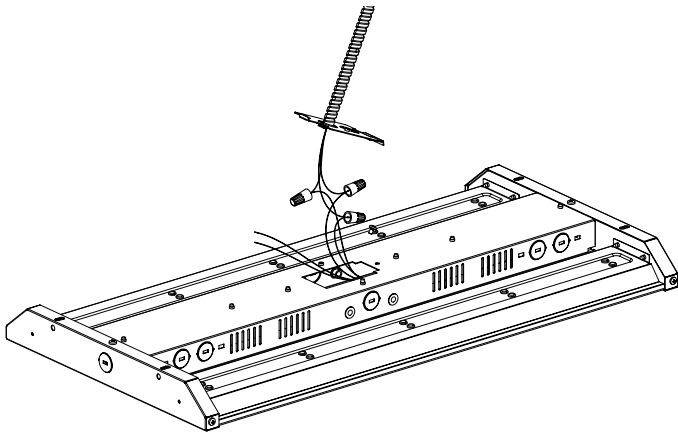


Figure 10-A

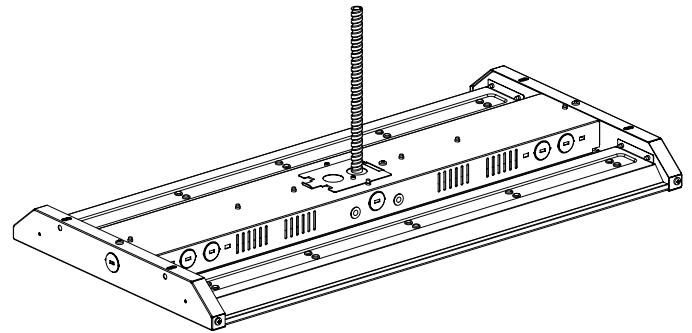


Figure 11-A

Wiring Connections B:

- From the front side, open driver cover door shut to make wiring connections. Connect the LED high bay wiring to line wire, black to black, white to white, and green to ground wire; secure each connection with wire nuts. Purple & grey leads inside the driver compartment are 0-10V (low voltage) dimming leads, connect to incoming dimming low voltage wiring when controlling luminaire light levels via external signal. . (Figure 10-B)
- Snap back the driver cover door shut into place and secure access panel to complete installation. . (Figure 11-B)

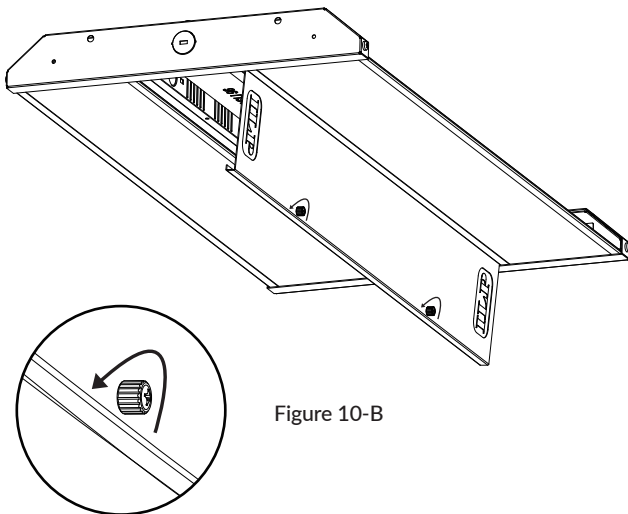


Figure 10-B

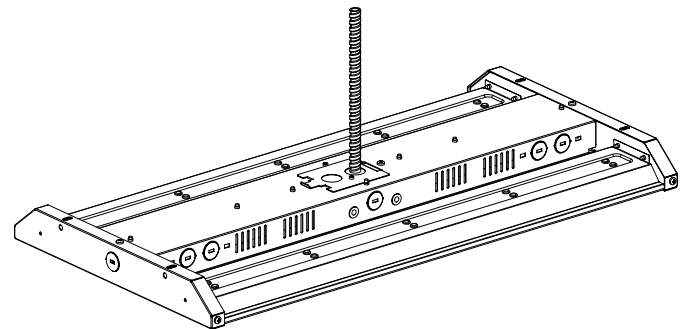


Figure 11-B