

4"/6" Snaptrim J-Box Downlight

5 CCT Selectable: 27/30/35/40/50K

And just like that... the recessed can is gone. EnVision LED has developed a 4" and 6" LED Downlight that eliminates the need for a can. The junction box is built into the fixtures and is IC Rated. By reducing material cost and installation time, the EnVision SnapTrim is the ideal retrofit or new construction recessed lighting solution yet.



Detail Specifications:

- CRI >90 LED Chips, R9>50
- 120V flicker-free driver, PF >0.9
- Triac and ELV Dimmable Down to 5%
- 80° Beam Angle
- Cut out dimensions 4": 4 3/4", 6": 5 3/4"
- Operating Temperature: 0°F ~ +113°F
- IP65 Wet Location Rated

Mounting:

- No can needed in remodel applications, tension clip springs clamp into 1" to 1.5" thick ceiling
- Pre-wired junction box with circuit wiring built in (3 in / 3 out)
- Wire into the 1/2" threaded hub
- New construction rough-in plate or mounting plate with joist bars available (see accessories)
- See installation guide for more information available

Applications:

- Residential or Commercial Lighting
- New Construction or Remodel Use
- General Recessed Lighting

Product Information:

- 5CCT Selectable: 27/30/35/40/50K
- Available in white baffle finish
- Optional Emergency Backup Available: delivers full lumens in EM mode
- L70 @ 50,000 Hours lumen maintenance
- Instant-on, no warm up period

Certifications:

- ETL Listed for USA and CA
- Energy Star
- IESNA LM-79 & LM-80 tests available
- FCC CFR 47, FCC Part 15, Subpart B:2017
- 5 Year EnVision LED Limited Warranty
- CA Title 24/CEC/T20 Compliant

What's Included:

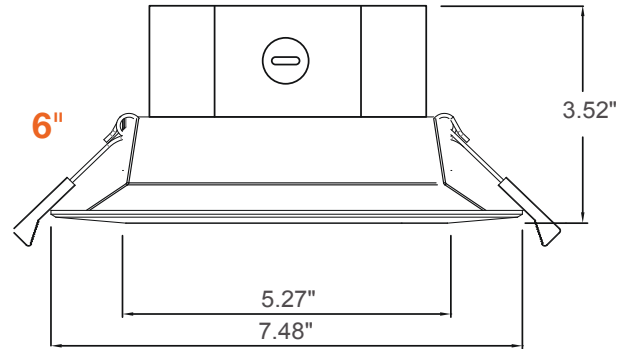
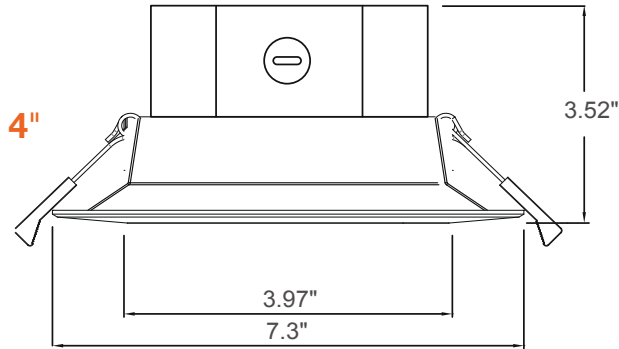
- LED Fixture
- Junction Box
- Cut Out Template
- Installation Guide



1 Product	2 Size	3 Watts	4 Color	5 EMB	6 Warranty
LED-DLJ BX	4B 4 Inches 6B 6 Inches	11W 750lm 15W 1000lm	5CCT 27/30/35 40/50K	Emergency Backup	(Blank) 5 Years (incl.) 10YR 10 Years

Specs and model numbers are subject to change with or without notice.

DIMENSIONS



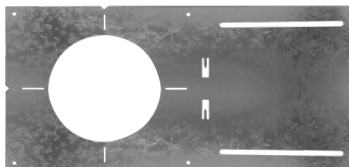
OPTIONAL ACCESSORIES



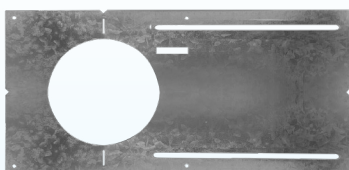
LED-EMB-25W-HV-0/10V



CUNV-NC-ICAT
Universal
Pre-Mounting Plate
5 3/10" x 14 1/2"



C4-JBX-RI
4" Rough In Plate
6 1/2" x 13 1/4"



C6-JBX-RI
6" Rough In Plate
8 1/2" x 17 1/4"

DLJBX Accessories

Accessory Model	Description
CUNV-NC-ICAT	2"3" 4" 6" Universal Pre-Mounting New Construction Plate
LED-EMB-25W-HV-0/10V	Emergency Back Up For Interl Drivers (Works with all 0-10V Dim or <25W fixtures -Single Sided Flex-
C4-JBX-RI	4" Rough-In Plate
C6-JBX-RI	6" Rough-In Plate

DIMMER COMPATIBILITY				
Brand	Series	Model	Load	Dimmability
Lutron	Ariadni	AYCL-153P	150W	OK
Lutron	Diva	DV-600PR	600W	OK
Lutron	Diva	DVCL-153P	150W	OK
Lutron	Maestro	MACL-153MH	600W	OK
Lutron	Maestro Wireless	MRF2-6CL	150W	OK
Lutron	Rotary	D-600P	600W	OK
Lutron	Electronic (ELV)	NTELV-300P	600W	OK
Lutron	Skylark	S-600P	600W	OK
Lutron	Skylark Contour	CT-600P	600W	OK
Lutron	Skylark Contour	CTCL-153P	150W	OK
Lutron	Toggler	TG-600P	600W	OK
Lutron	Toggler	TGCL-153P	150W	OK
Leviton	Sureslide	6633	600W	OK
Leviton	Sureslide Decora	6674	600W	OK
Leviton	Trimatron	6672	600W	OK
Leviton	Sureslide	6613	600W	OK
Legrand	Adorne	DLV703	700W	20-100%
Legrand	Harmony	H703PTW	700W	OK
Cooper	Aspire	9530	1000W	OK
Cooper	Devine	DAL03P	300W	OK

INSTALLATION

IMPORTANT: Read all instructions before installing fixtures. Retain for future reference.

SAFETY: For your safety, this fixture must be wired in accordance to local electrical codes and ordinances. All work should be done by a qualified electrician.

WARNING: Make certain power is OFF from the electrical panel before starting installation or attempting any maintenance.

Indoor Installation Only.

TOOLS REQUIRED

- Saw
- Measuring Tape
- Electrical wiring (use type and gauge suitable for application to connect the fixtures).

PRE-INSTALLATION

1. Turn power OFF from the electrical panel before starting installation.
2. Locate a suitable position to install fixture and cut hole according to dimensions on (hole cut size).
3. Run NMD ROMEX wire from switch (power supply) through hole to fixtures junction box.

JUNCTION WIRING

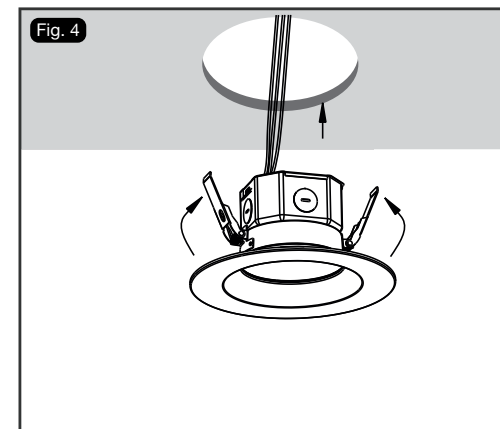
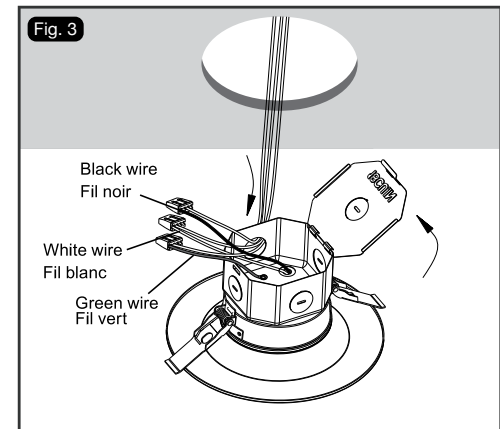
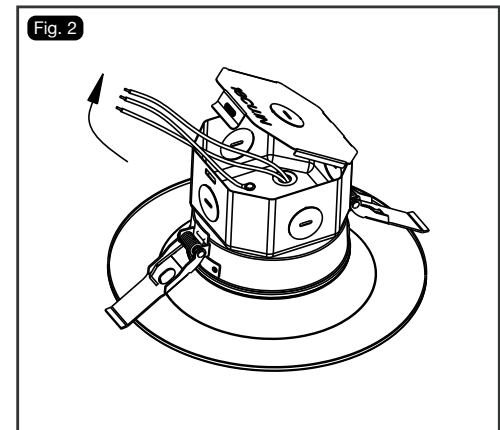
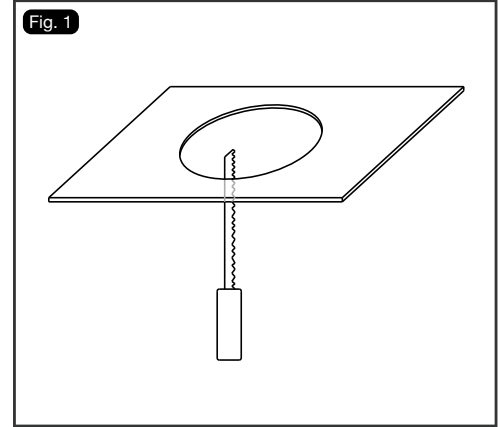
1. Open the hardwire box swing cover and remove the appropriate knockout(s) Fig. 2
2. Connect green ground wire to green wire of box with quick connectors.
3. Place all wiring and connections back into the box and close the cover.
4. Insert hardwire box through the mounting hole.

FIXTURE INSTALLATION

1. Push spring loaded clips on the fixture upwards and insert fixture base into the mounting hole. Release the clips and fixture will be pulled flush to the ceiling. Fig. 4
2. Once assembly is complete, turn on power to confirm fixture is working properly.

FIXTURE INSTALLATION

1. Push spring loaded clips on the fixture upwards and insert fixture base into the mounting hole. Release the clips and fixture will be pulled flush to the ceiling. (Fig. 4)
2. Once assembly is complete, turn on the power to confirm fixture is working properly.



HOLE CUT SIZE

4 in.	Ø4 3/4"
6 in.	Ø5 3/4"