

Project: \_\_\_\_\_  
 Part#: \_\_\_\_\_  
 Type: \_\_\_\_\_

# Center Basket Troffer

The EnVision LED Center Basket Troffer Series are different from standard troffer in the market. The PC housing makes it unique because it is light, doesn't get damaged or get dings in transit or at the job site, and provides a much cleaner and uniformed light distribution when lit. In addition, EnVision's troffer features a u-shaped heat sink inside in order to spread the beam distribution and give the fixture backlight. Retrofit existing fluorescent troffers used in drop ceilings, enjoy minimal power consumption, long lifespan, and bright illumination.

### Applications:

- Commercial Lighting
- Office Lighting
- Fluorescent Retrofitting
- Surface Mount, Recessed Lighting, T-Bar and Lay-in

### Product Information:

- Flicker-free 0-10V dimmable internal driver
- Up to 56% higher efficiency than fluorescent
- Emergency backup model allows for easy installation
- Variable color temperature & brightness model available (switches between 3000k, 3500k, 4000k, 5000k)



2x2

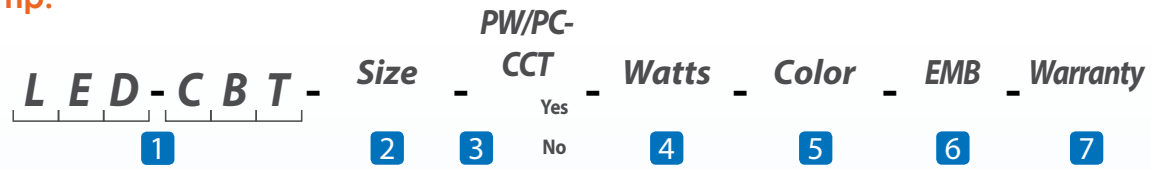
2x4



Variable Color Temp.



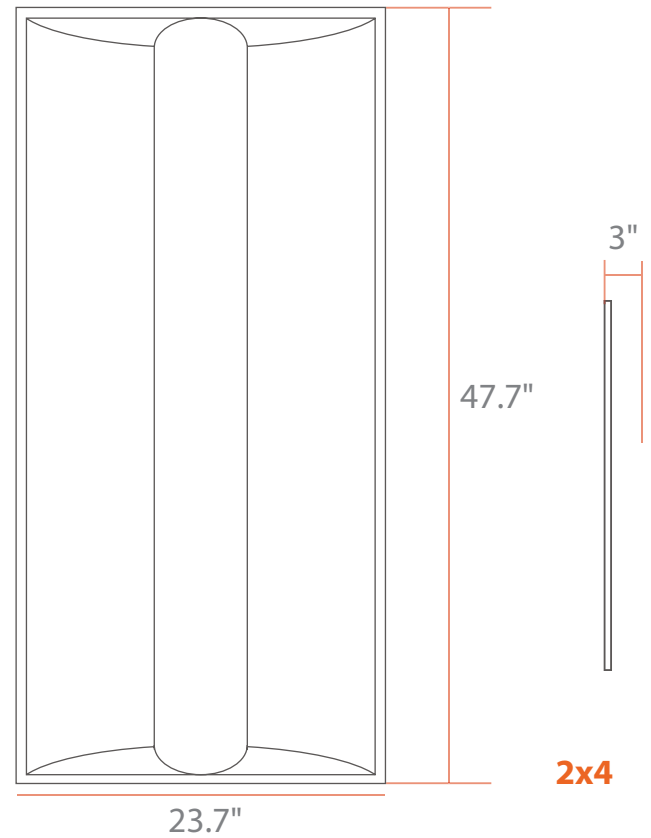
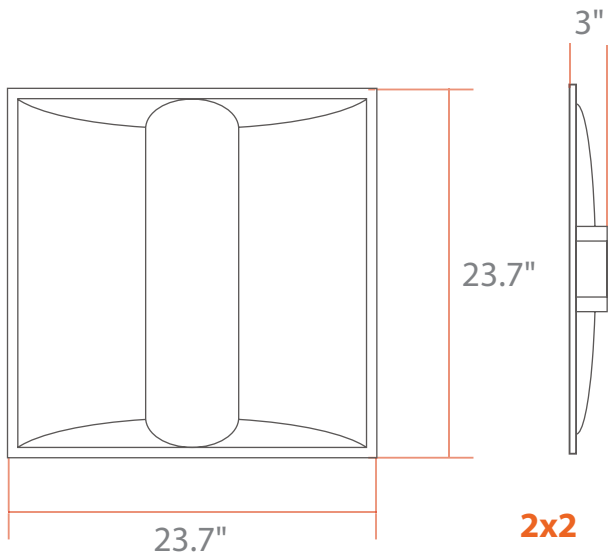
Emergency Backup



1 Product	2 Size	3 PW/PC-CCT	4 Watts	5 Color	6 EMB	7 Warranty
LED-CBT	2x2 24" x 24" 2x4 24" x 48"	Yes Variable Color & Power No Fixed Color & Power	28W 3,640 lm (2x2 only) 35W 4,550 lm 50W 6,500 lm (2x4 only)	35K 3500K 40K 4000K 50K 5000K	(Blank) None EMB Emergency Backup	(Blank) 5 Year (incl.) 10YR 10 Year

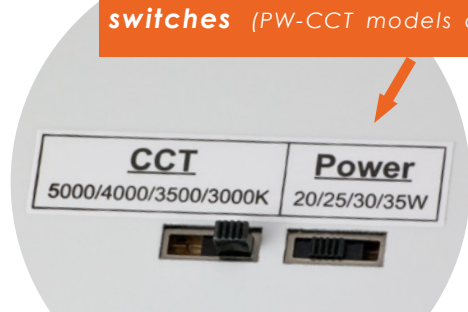
### PW-CCT Power & Lumens Ratings

2x2	2x4
20W : 2,600lm	35W : 3,640lm
25W : 3,250lm	40W : 5,200lm
30W : 3,900lm	45W : 5,850lm
35W : 4,550lm	50W : 6,500lm

**DIMENSIONS****FEATURES**

## ACCESSORIES

Easily change color temp. & lighting power with rear-side switches (PW-CCT models only)



Power & luminosity settings vary by size (2x2 shown)



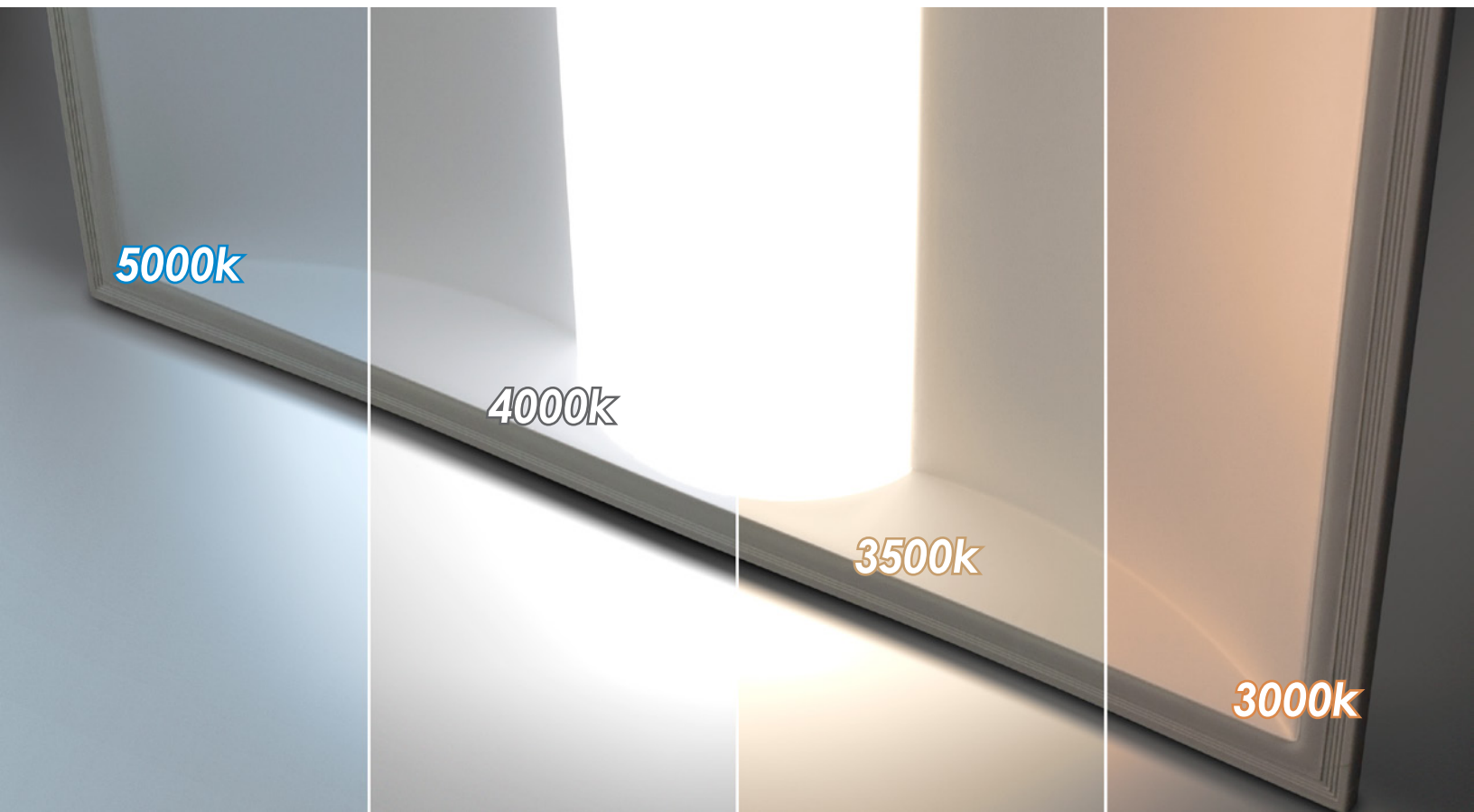
## EMB

Emergency Backup Battery

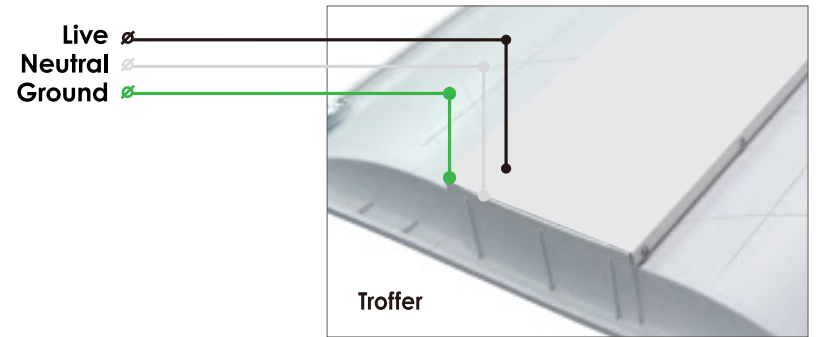
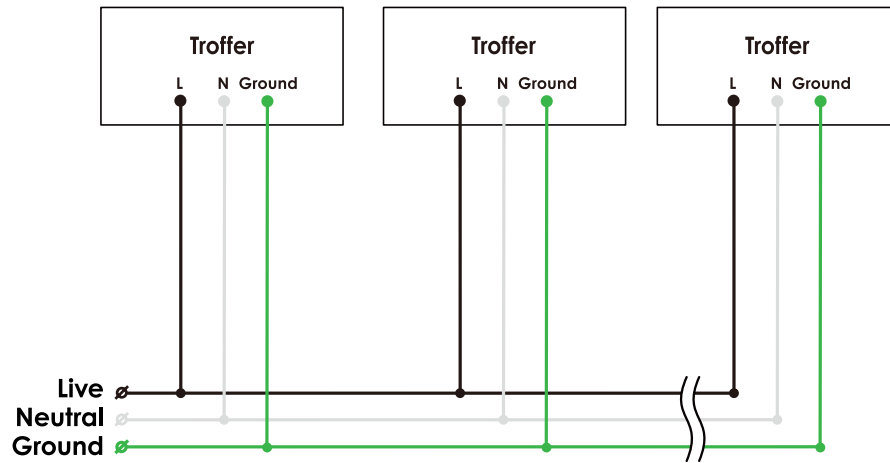
## FIXTURE & ACCESSORY REFERENCE TABLE

Fixture Model	Voltage	Watts	Lumens	Color	CRI
LED-CBT-2X2-28W-50K-HL	120-277V	28w	3,640	5000K	>80
LED-CBT-2X2-28W-40K-HL	120-277V	28w	3,640	4000K	>80
LED-CBT-2X2-28W-35K-HL	120-277V	28w	3,640	3500K	>80
LED-CBT-2X2-35W-50K-HL	120-277V	35w	4,550	5000K	>80
LED-CBT-2X2-35W-40K-HL	120-277V	35w	4,550	4000K	>80
LED-CBT-2X2-35W-35K-HL	120-277V	35w	4,550	3500K	>80
LED-CBT-2X2-PW-CCT-HL	120-277V	20-40	Variable	Variable	>80
LED-CBT-2X4-35W-50K-HL	120-277V	35w	4,550	5000K	>80
LED-CBT-2X4-35W-40K-HL	120-277V	35w	4,550	4000K	>80
LED-CBT-2X4-35W-35K-HL	120-277V	35w	4,550	3500K	>80
LED-CBT-2X4-50W-50K-HL	120-277V	50w	6,500	5000K	>80
LED-CBT-2X4-50W-40K-HL	120-277V	50w	6,500	4000K	>80
LED-CBT-2X4-50W-35K-HL	120-277V	50w	6,500	3500K	>80
LED-CBT-2X4-PW-CCT-HL	120-277V	35-50	Variable	Variable	>80

Accessory Model	Description
LED-EMB-15W-LV	Emergency Backup Battery



**INSTALLATION**



**INSTALLATION (with 0-10V Dimmer)**

