

Center Basket Troffer

The EnVision LED Center Basket Troffer Series are different from standard troffer in the market. Powder coated, die formed of 0.5mm cold-rolled steel body. Retrofit existing fluorescent troffers used in drop ceilings, enjoy minimal power consumption, long lifespan, and bright illumination.

Applications:

- Commercial lighting
- Office lighting
- Fluorescent retrofitting
- Surface mount, Recessed lighting, T-Bar and lay-in

Product Information:

- Flicker-Free 0-10V dimmable internal driver
- Up to 56% higher efficiency than fluorescent
- Emergency backup model allows for easy installation
- Variable color temperature & brightness model available: 3000k, 3500k, 4000k and 5000k



2x2



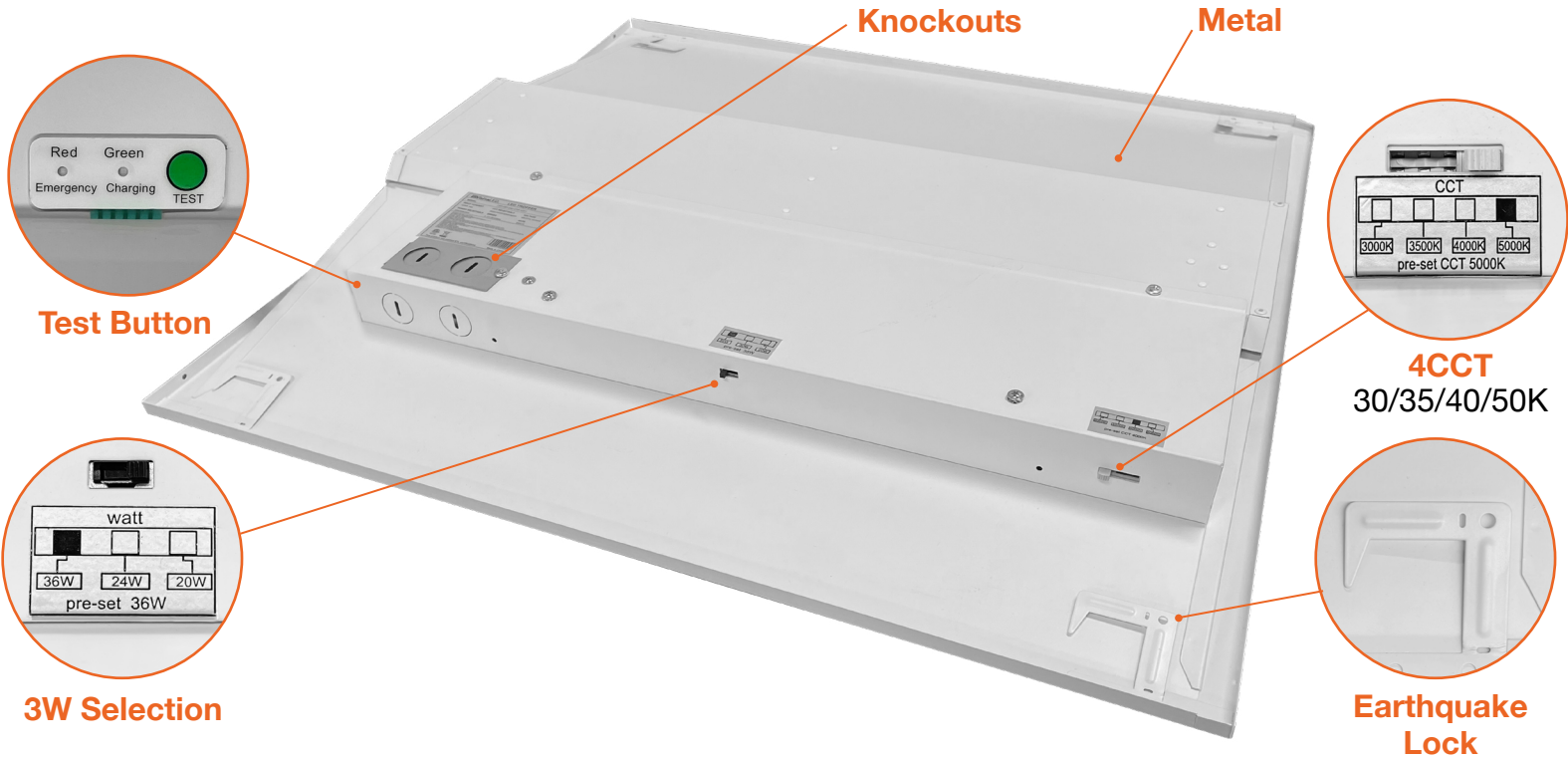
2x4

Product	Size	Power / Color Temp	CRI	Options	Accessories	Warranty
L E D - C B T -						
1	2	3	4	5	6	7

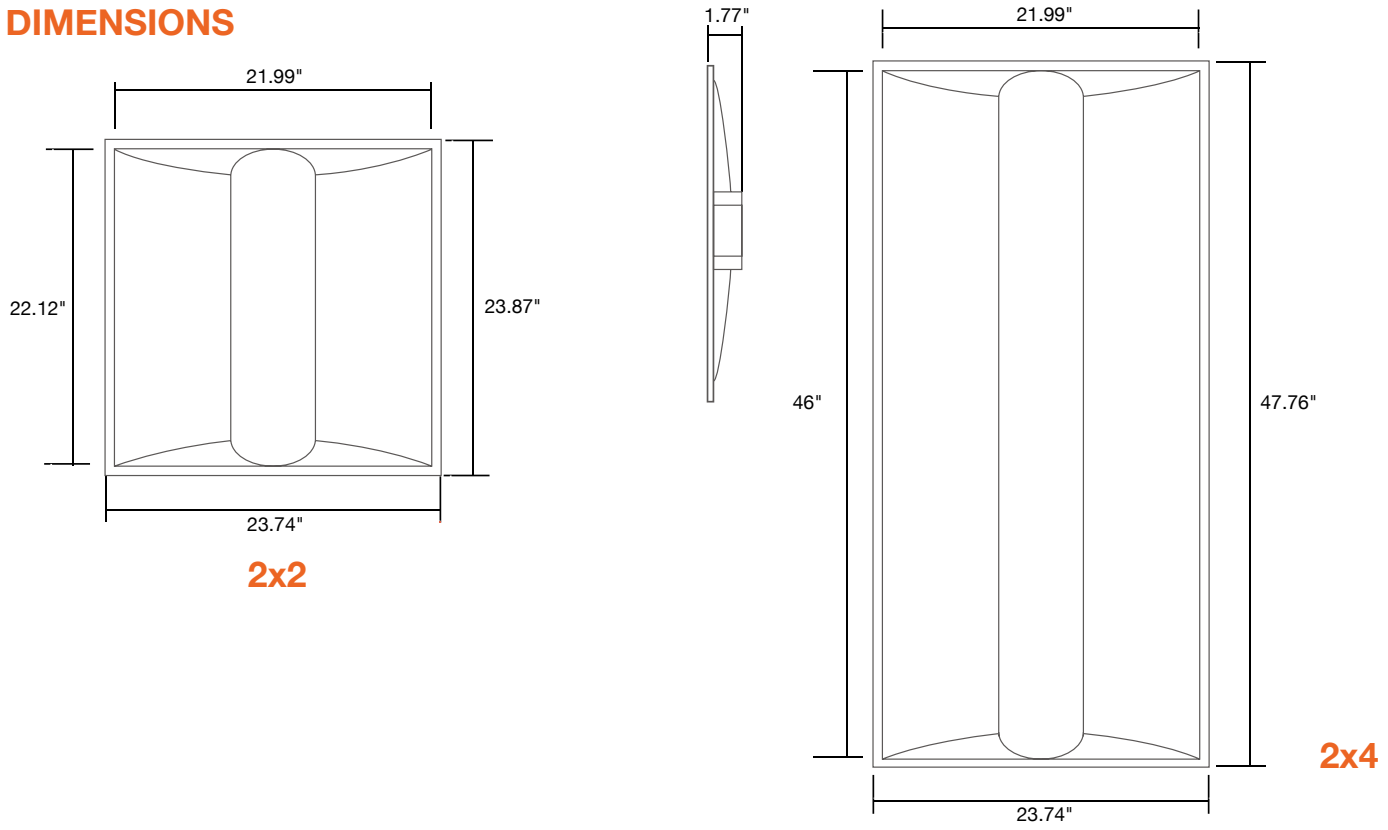
1 Product	2 Size	3 Power / Color Temp	4 CRI	5 Options	6 Accessories	7 Warranty
LED-CBT	2x2 24" x 24" 2x4 24" x 48"	3P35-4CCT 20/28/35W 2600/3900/5200Lm 3P50-4CCT 30/40/50W 3900/5200/6500Lm	(Blank) 80CRI (Standard) 90CRI 90CRI	BMS Bi-Level Motion Sensor EMB Emergency Back-Up BT Bluetooth	(Blank) None 2X2-SM-3.5" 2X2 Surface Mount Frame 2X4-SM-3.5" 2X4 Surface Mount Frame LED-PNL-2X2-FLNG 2X2 Flange Drywall Kit LED-PNL-2X4-FLNG 2X4 Flange Drywall Kit FLX-WHIP-6'-5/6 6' Flexible Whip 5-Non EMB / 6 EMB	Blank 5 Years (Included)

Specs and model numbers are subject to change with or without notice. Customization of product is available.

FEATURES



DIMENSIONS

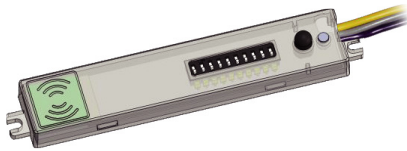


ACCESSORIES



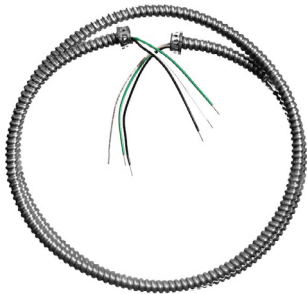
EMB

Emergency Backup Battery



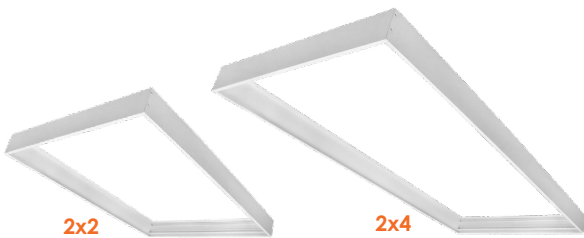
BMS-MAG

Bi-Level Motion Sensor

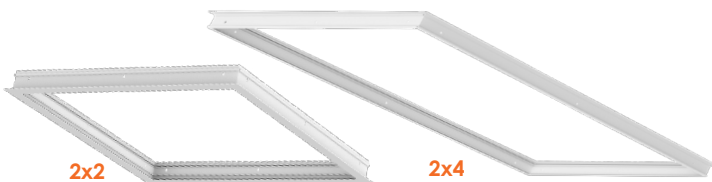


FLX

Flexible Whip



Surface Mount Frame
(3.5" Height)



Flange Drywall Kit
(3.5" Height)

TROFFERS

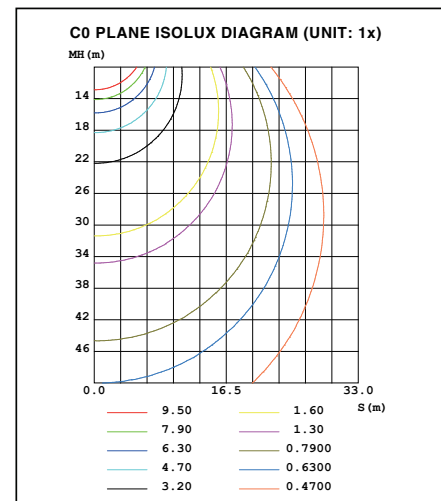
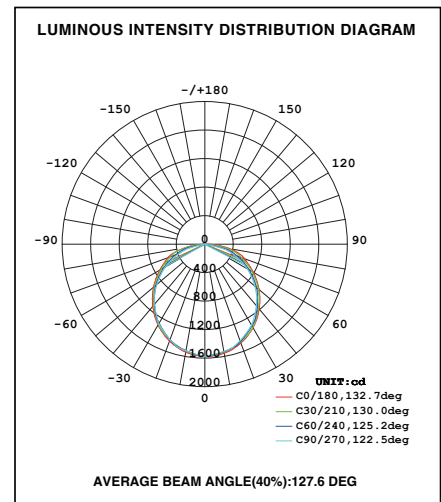
Fixture Model	Voltage	Watts	Lumens	Color	CRI
LED-CBT-2X2-3P35-4CCT	120-277V	35/28/20w	5,200/3,900/2,600	30/35/40/50K	>80
LED-CBT-2X2-3P35-4CCT-90CRI	120-277V	35/28/20w	5,200/3,900/2,600	30/35/40/50K	>90
LED-CBT-2X4-3P50-4CCT	120-277V	50/40/30w	6,500/5,200/3,900	30/35/40/50K	>80
LED-CBT-2X4-3P50-4CCT-90CRI	120-277V	50/40/30w	6,500/5,200/3,900	30/35/40/50K	>90

Accessory Model	Description
2X2-SM-3.5"	2X2 Surface Mount Kit (3.5" Height)
2X4-SM-3.5"	2X4 Surface Mount Kit (3.5" Height)
LED-PNL-2X2-FLNG	2X2 Flange Mount Kit
LED-PNL-2X4-FLNG	2X4 Flange Mount Kit

OPTIONS

Accessory Model	Description
LED-EMB-15W-LV-S	Emergency Battery
BMS-MAG	Magnetic Mounting

TESTING REPORT

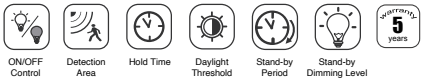
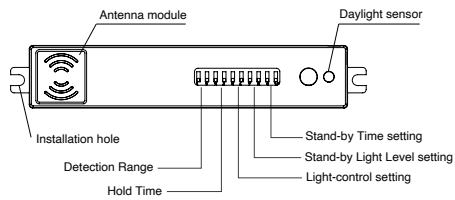


SENSOR INSTALLATION

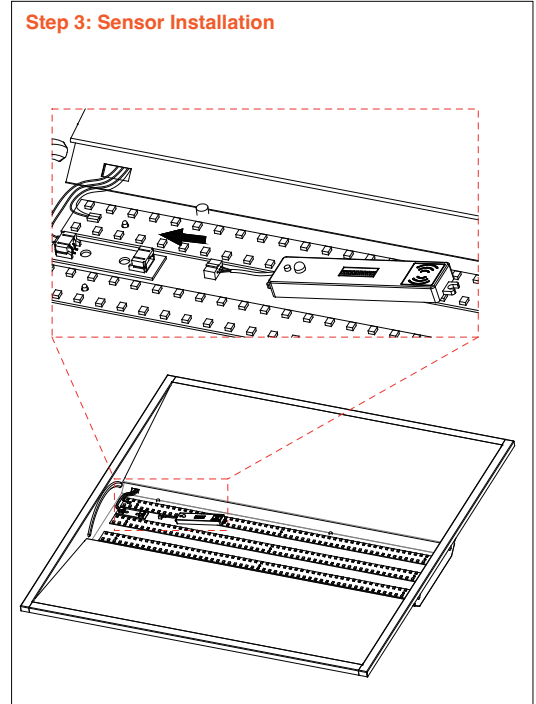
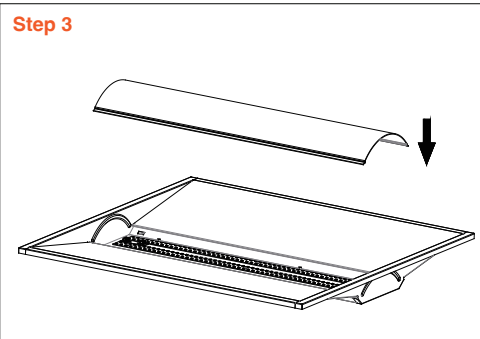
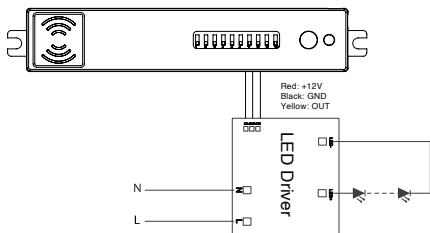


BMS-MAG

Bi-Level Motion Sensor



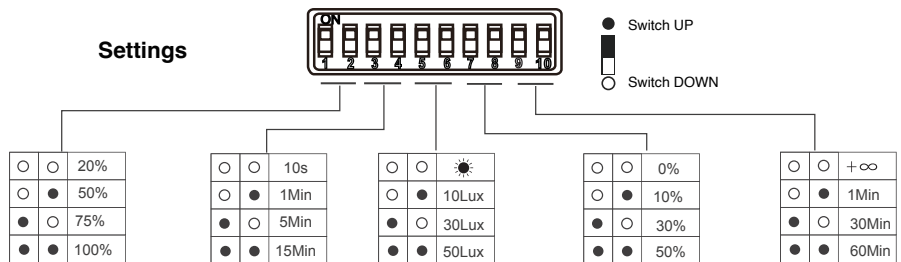
Wiring Diagram



Technical Data

Operating voltage	12VDC
Operating current	>50mA
Output	0-10V
Stand-by power	≤ 0.5W
Detection area	50% / 100%
Hold time	5s / 30s / 1min / 10min
Daylight threshold	2Lux / 10Lux / 50Lux / Disable
Stand-by period	0s / 30s / 20min / + ∞
Stand-by dimming level	10% / 20% / 30% / 50%
Microwave frequency	5.8GHz ± 75MHz
Microwave power	<0.3mW
Mounting height	Max 4m / 13ft (ceiling mounted)
Detection range	Max 5.2m / 17ft (ceiling mounted)
Operating temperature	-20°C~+60°C
Motion detection	0.5~1.5m/s
IP rating	IP20
Warranty	5 years

Settings



DETECTION AREA
In this area, movement will be detected and able to trigger the sensor. 100% detection area is also known as the strong sensitivity

HOLD TIME
The period of light keeping 100% brightness after moving objects leave the detection area.

LIGHT CONTROL SETTING
Definition of the ambient brightness; only when the ambient brightness is lower than the preset specific lux amount, the sensor will work; when it's preset as ☀ the sensor works everytime it detects motion regardless the ambient brightness

STAND-BY LIGHT LEVEL SETTING
The definition of low output in the standby period

STAND-BY TIME SETTING
The period of light keeping low output before it's completely switched off. When it's preset as ∞ the light always keep at low output if no movement in the detection area and doesn't turn off.