

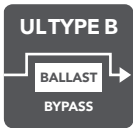








# HIGH BAY RETROFITS ULTRA BRIGHT PERFORMANCE



 <b>120-277V</b> <small>VOLTAGE**</small>	 <b>EX39</b> <small>MOGUL BASE</small>	 <b>ULTYPE B</b> <small>BALLAST BYPASS</small>	 <b>-40°F TO 122°F</b> <small>OPERATING TEMP</small>	 <b>OPEN FIXTURE ONLY</b>	 <b>6kA</b> <small>SURGE PROTECTION</small>	 <b>80+</b> <small>CRI</small>	 <b>L70 50,000</b> <small>RATED LIFE</small>	 <b>5 YEAR WARRANTY</b> <small>WARRANTY</small>
---	---	---	---	---	---	---	---	--

## designed to perform

available  
uplight



LED-8130M

- Available in 90W, 135W and 150W models replacing up to 400W HID.
- 8130 includes ring of uplight.
- Dynamic temp control supports a longer, brighter life.
- Pretested & potted drivers are burnt in 3x prior to shipping and protected against vibration & moisture.
- Expertly engineered to work efficiently in open fixtures & damp environments, while also protected against insects & dust.
- Dual stage MOV protection with integrated 6kA surge.
- USA designed & specified LED driver.
- Fanless design for silent operation and open fixtures only


8130 model

also available with occupancy sensor (-OCC)



PART #	UPC	REPLACES	WATTAGE	LUMENS	CCT (K)*	BASE	DLC PRODUCT CODE
LED-8136M50	844006084097	250W HID	90W	11825	5000K	EX39	PJB19CID
LED-8132M50	844006084059	400W HID	135W	17095	5000K	EX39	PX1B2V52
LED-8130M50	844006083991	400W HID	150W	19375	5000K	EX39	PEIE5UJV
LED-8130M50-OCC	844006023409	400W HID	150W	19375	5000K	EX39	P5Z4KFOQ

\* See page 2 for additional color temperatures.

\*\* See page 2 for 347 volt options for Canada. 

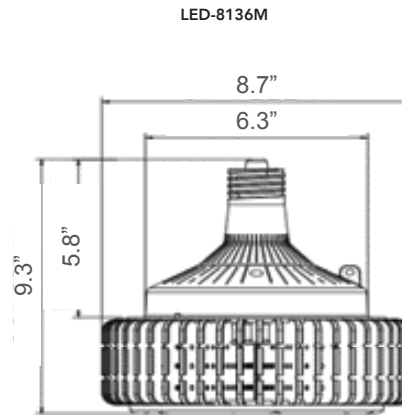
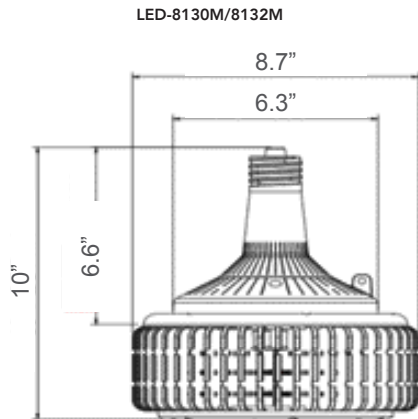


Warehouse-Lighting.com  
2750 South 163<sup>rd</sup> St  
New Berlin, WI 53151



[Warehouse-Lighting.com](http://Warehouse-Lighting.com)  
Phone: 888-454-4480  
[info@warehouse-lighting.com](mailto:info@warehouse-lighting.com)

# HIGH BAY RETROFITS ULTRA BRIGHT PERFORMANCE



## ORDERING GUIDE

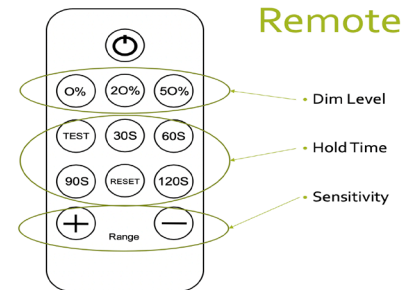
PART #	UPC	REPLACES	WATTAGE	LUMENS	CCT (K)	BASE	DLC PRODUCT CODE
LED-8136M40	844006084073	250W HID	90W	11825	4000K	EX39	PH6JIJBO
LED-8136M50	844006084097	250W HID	90W	11825	5000K	EX39	PJB19CID
LED-8132M40	844006084042	400W HID	135W	17055	4000K	EX39	PXWFBTUB
LED-8132M50	844006084059	400W HID	135W	17095	5000K	EX39	PX1B2VS2
LED-8130M40	844006083977	400W HID	150W	19285	4000K	EX39	PKVX1A1O
LED-8130M50	844006083991	400W HID	150W	19375	5000K	EX39	PEIE5UJV
LED-8130M40-OCC	844006023379	400W HID	150W	19285	4000K	EX39	PYPQ2DPT
LED-8130M50-OCC	844006023409	400W HID	150W	19375	5000K	EX39	P5Z4KFOQ

## 347 VOLT OPTIONS FOR CANADA

PART #	UPC	REPLACES	WATTAGE	LUMENS	CCT (K)	BASE	DLC PRODUCT CODE
LED-8136M40C	844006084080	250W HID	90W	12800	4000K	EX39	PPA5W8DJ
LED-8136M50C	844006084103	250W HID	90W	13200	5000K	EX39	PYFU9VLA
LED-8132M40C	844006083984	400W HID	135W	18800	4000K	EX39	PBV42TYE
LED-8132M50C	844006084004	400W HID	135W	19000	5000K	EX39	PNHXYBUE
LED-8130M40C	844006084042	400W HID	150W	21800	4000K	EX39	P8C1FD2H
LED-8130M50C	844006084066	400W HID	150W	22000	5000K	EX39	P9MMHV4A
LED-8130M40C-OCC	844006023416	400W HID	150W	21800	4000K	EX39	PBNUB6PJ
LED-8130M50C-OCC	844006023409	400W HID	150W	22000	5000K	EX39	P7UP4BYG

## OCC SENSOR INFORMATION

- Motion sensing microwave sensor
- Remote Control: over 25ft. range
- At 100% sensitivity, sensor range is 26ft. vertically and 23ft. horizontally
- Default Setting:
  - Horizontal Detecting setting: 50% (14ft.)
  - Power output when activated: 100%
  - Full power output hold time period after activation: 5 min
  - Dimmed output power: 20%



**Light Efficient Design**

[Warehouse-Lighting.com](http://Warehouse-Lighting.com)

Phone: 888-454-4480

[info@warehouse-lighting.com](mailto:info@warehouse-lighting.com)



WAREHOUSE-LIGHTING.COM

Warehouse-Lighting.com  
2750 South 163<sup>rd</sup> St  
New Berlin, WI 53151