



Texas Fluorescents
Reinvented

CATALOG#: _____
PROJECT: _____
TYPE: _____



Series L25RGBW

LED Surface or Pendant Mount Linear Fixture

L25 RGBW Linear Channel allows RGB color changing abilities combined with white (3000k) light output to create billions of color variations as well as a pure white output. Full body micro silhouette makes a bold statement with a minimal design in post-painted in powder coated flat white polyester finish (consult factory for other finishes). Scaled to the LED module the matte white diffuser surrounds the LEDs for soft lighting. Fixture can be pendant mounted with specially engineering cable mounting kit. RGBW fixture is ideal to highlight walls to provide a "horizon" of color to create a unique environment. Surface mount version is ideal coves, behind valences or in niches.

CONSTRUCTION

Die-formed and welded 22-gauge cold rolled steel. Easy to install. Fixtures are designed for individual runs only. For longer runs consult factory.

DIFFUSERS

Special LED formulated frosted lenses with snap in feature for easy access.

TYPICAL OPTIONS & ACCESSORIES

Cord sets, whips, occupancy sensors, hanging kits, etc.

DIMENSIONS

- 2ft.-24"L x 2.5"W x 3"H
- 4ft.-48"L x 2.5"W x 3"H
- 8ft.-96"L x 2.5"W x 3"H

FEATURES & BENEFITS

- Can be surface mounted to the ceiling or pendant hung by engineered hanging kit.
- Attractive source of direct lighting for any indoor applications.
- Provides RGB colored lighting as well as white lighting. White lighting can be color tuned.
- Fixture has standard two wires, plus ground to wire to standard on/off switch.
- Installs with standard wiring and is controlled via Bluetooth with an easy to use App.
- Easy installation
- Available in custom finish. Consult factory for details.
- Suitable for dry or damp location
- 5 year warranty.



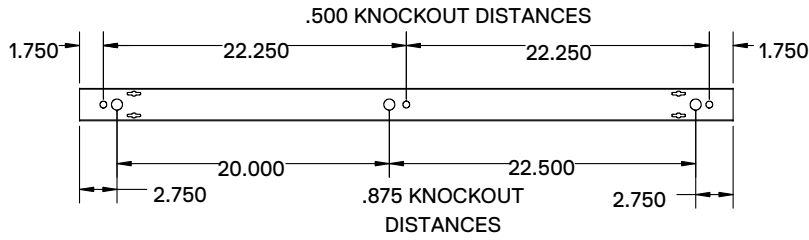
WAREHOUSE-LIGHTING.COM

Warehouse-Lighting.com
2750 South 163rd St
New Berlin, WI 53151

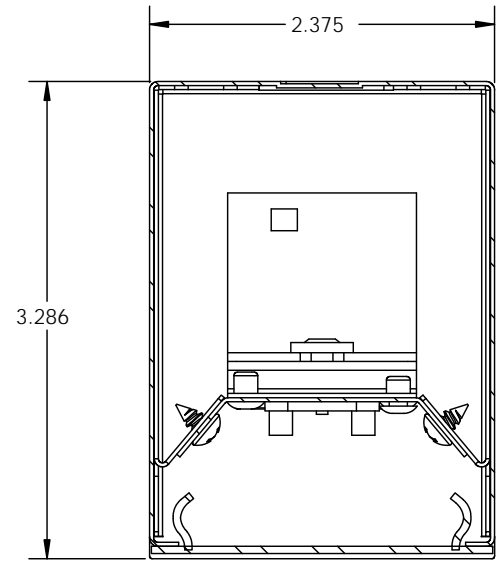
Warehouse-Lighting.com
Phone: 888-454-4480
info@warehouse-lighting.com

DRAWINGS AND DIMENSIONS

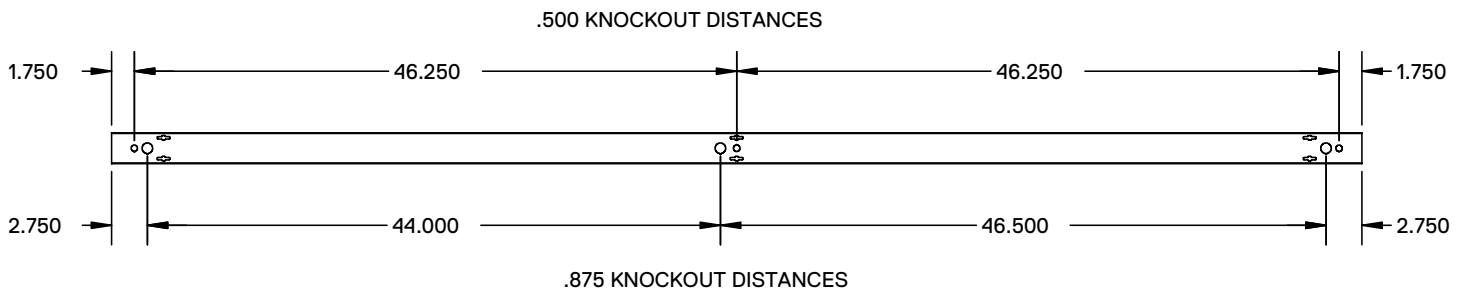
4 ft. - Back View



END VIEW

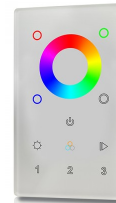
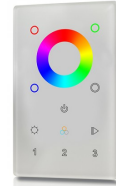


8 ft. - Back View



ORDERING INFORMATION

SERIES	LENS MATERIAL	SIZE	WATTAGE	DRIVER	FINISH	RECEIVER	
L25P Pendant Mount	SF Frosted Lens	48L 48"	RGBW27W	RGBW Color Changing, 27 watt	MV 120-277V	WH BK SI White Black Silver	IL Ilumi Receiver pairs with Ilumi Mesh Tek App (Free App)
			RGBW54W	RGBW Color Changing, 54 watt			SR RF Receiver pairs with 3 Zone RF RGBW Wall Mount Touch Panel, SRTSR2820US3 (order separately)
		96L 96"	RGBW54W	RGBW Color Changing, 54 watt			SRDMX DMX receiver pairs with 3 zone DMX512 Wall Mount touch panel, SRTSR2812US3 , requires AC to DC transformer 24V, S RTP12009 (both items order separately)
			RGBW108W	RGBW Color Changing, 108 watt			



CONFIGURATION	Harness and Hanging Kit Options
Blank Individual -B Beginner Run -E Ender Run -J Joiner	P11 3 wires harness, including white, black and green HC301WH Cable kit with 4' Cable & 3 Wires Power Feed/Cable Incl. and White Canopy HC302WH Cable kit with 12' Cable & 3 Wires Power feed/Cable Incl. and White Canopy HC3015WWH Cable kit with 4' Cable & 5 Wires Power Feed/Cable Incl. and White Canopy HC3025WWH Cable kit with 12' Cable & 5 Wires Power feed/Cable Incl. and White Canopy 2SCS24WH Two Stem kits with 24" Stem, Canopy and Mounting hardware for a 4' fixture



CATALOG#: _____
PROJECT: _____
TYPE: _____

Series L25RGBW
LED Surface or Pendant Mount
Linear Fixture

ILUMI CONTROL

Wire to standard on/off light switch and use the App to control all the features.

Download free
Ilumi MeshTek App

from Apple or Android Store and start controlling color, tune your white light, create schedules or use preloaded effects.



Warehouse-Lighting.com
2750 South 163rd St
New Berlin, WI 53151

Warehouse-Lighting.com
Phone: 888-454-4480
info@warehouse-lighting.com