



Texas Fluorescents
Reinvented

CATALOG#: _____
PROJECT: _____
TYPE: _____

Series L23

LED Wall Mount, Surface or Pendant Mount Linear Fixture

A linear 2 x 3 fixture for distinctive architectural lighting plans. Ideal for corridors, lobbies, and office areas, 2 x 3 Series fixtures can be installed individually or in a continuous run. Specially designed for direct/indirect lighting with snap in lens to hide the lamps or LED arrays. Ideal where downlight and uplight are required.

CONSTRUCTION

Die-formed and welded 22-gauge cold rolled steel. Knockouts on ends allow continuous wireway mounting. Housing is specially designed for direct/indirect lighting with separating power source compartments for each.

DIFFUSERS

Special LED formulated frosted lenses with snap in feature for easy access.

TYPICAL OPTIONS & ACCESSORIES

Cord sets, whips, occupancy sensors, hanging kits, etc. Contact factory for more details.



DIMENSIONS

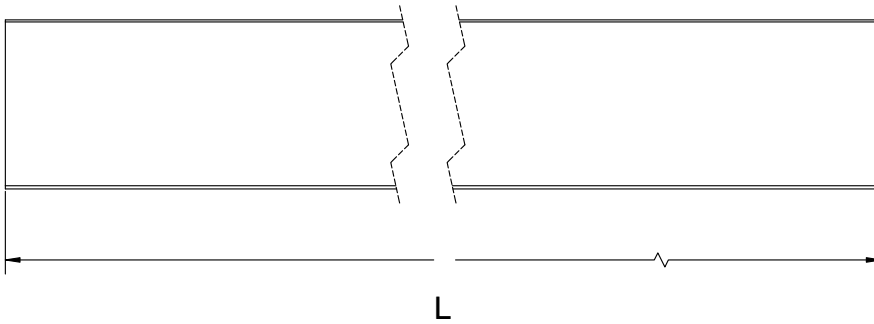
- 2ft.-2"W x 24"L x 3"H
- 4ft.-2"W x 48"L x 3"H
- 8ft.-2"W x 96"L x 3"H

FEATURES & BENEFITS

- Can be surface mounted to the ceiling or pendant hung by engineered hanging kit.
- Attractive source of direct or indirect lighting for use in offices, hallways, conference rooms and medical facilities
- Available in custom finish. Consult factory for details.
- External Emergency Battery Backup is available
- Driver conforms to FCC Title 47 Part 15 Class A
- Suitable for dry or damp location
- 50,000 hrs of L70 LED life
- CRI >80
- 120-277V
- Power Factor 0.99
- 100 lm/w
- 0-10V dimming or Triac dimming
- 5 year warranty.



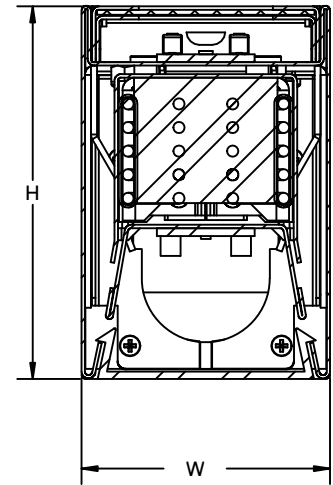
**PENDANT MOUNT
DRAWINGS AND DIMENSIONS**



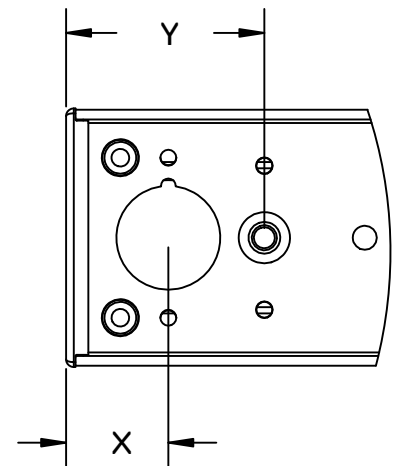
PART	L	W	H	X	Y
L23P12L	12.00"	2.00"	3.00"	0.80"	1.55"
L23P24L	24.00"	2.00"	3.00"	0.80"	1.55"
L23P36L	36.00"	2.00"	3.00"	0.80"	1.55"
L23P48L	48.00"	2.00"	3.00"	0.80"	1.55"
L23P60L	60.00"	2.00"	3.00"	0.80"	1.55"
L23P72L	72.00"	2.00"	3.00"	0.80"	1.55"
L23P84L	84.00"	2.00"	3.00"	0.80"	1.55"
L23P96L	96.00"	2.00"	3.00"	0.80"	1.55"

L-Length
W-Width
H-Height
X-Knock Out Distance
Y-Hanging Kit Distance

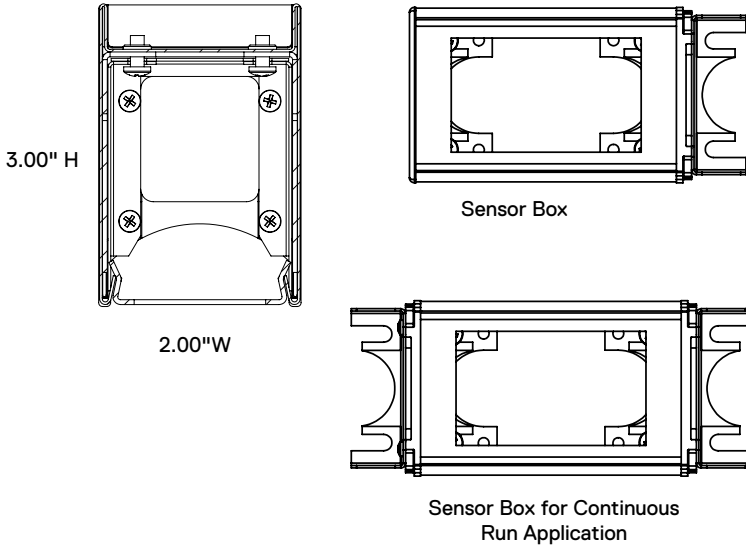
End Side View



End Top View



SENSOR BOX DRAWINGS & DIMENSIONS



Occupancy Sensor

Self-Contained Relay,
No Power Pack Needed
No Minimum Load
Requirements Interchangeable
Hot & Load Wires, Impossible
to Wire Backwards Push-
Button Programmable
Adjustable Time Delays
No Field Calibration or
Sensitivity Adjustments
Required Convenient Test
Mode
100 hr Lamp Burn-in Timer
Green LED Indicator



Physical Specs

SIZE 2.25" H x 1.38" W x 0.82" D
(5.715 cm x 3.51 cm x 2.08 cm)

WEIGHT 4 oz

MOUNTING Snaps into 2 3/16" H x 1 5/16" W x
1" D cavity in fixture

COLOR White

PRODUCT NUMBERS

2 Ft.

SERIES	LENS MATERIAL	LENGTH	WATTAGE & LUMENS	DRIVER	COLOR
L23W Wall Mount	SF Snap-in frosted acrylic lens (85% transmission) Special for LEDs; only available for uplight and downlight	24L 24"	UV6WDT12W Uplight 6 Watts Downlight 12 Watts 1800 Lumens	DMV G120 0-10V dimming ELV/Triac dimming at 120V only	30K 3000K 35K 3500K 40K 4000K 50K 5000K
L23P Pendant / Surface Mount					
SSL23W Wall Mount Occupancy Sensor (ON WHEN OCCUPIED, OFF WHEN NOT)					
SSL23P Pendant / Surface Mount Occupancy Sensor (ON WHEN OCCUPIED, OFF WHEN NOT)			UV9WDT18W Uplight 9 Watts Downlight 18 Watts 2700 Lumens		
			T13W1300L 13 Watts 1300 Lumens		
			T19W1900L 19 Watts 1900 Lumens		
			T23W2300L 23 Watts 2300 Lumens		

FINISH	CONFIGURATION	OPTIONS
WH White	Blank Individual	HC605WH Cable kit with 6' cable & 5 wires power feed/cable incl., clear cord and white canopy (included power feed and non-power feed)
BK Black	-B Beginner Run	HC605WHNPF Cable kit with 6' cable & white canopy, non power feed (non-power feed only)
SI Silver	-E Ender Run	HC612WH Cable kit with 12' cable & 5 wires power feed/cable incl., clear cord and white canopy (included power feed and non-power feed)
	-J Joiner	HC612WHNPF Cable kit with 12' cable & white canopy, non power feed (non-power feed only)

Note:

*Programmable LED drivers allow custom configured wattages and corresponding lumens.

We reserve the right to change design, materials, LED's and finish in any way that will not alter installed appearance or reduce function and performance.



Texas Fluorescents
Reinvented

CATALOG#: _____
PROJECT: _____
TYPE: _____

Series L23

LED Wall Mount, Surface or Pendant Mount Linear Fixture

PRODUCT NUMBERS

4 and 8Ft.

SERIES	LENS MATERIAL	LENGTH	WATTAGE & LUMENS	DRIVER	COLOR	
L23W Wall Mount L23P Pendant / Surface Mount SSL23W Wall Mount Occupancy Sensor (ON WHEN OCCUPIED, OFF WHEN NOT) SSL23P Pendant / Surface Mount Occupancy Sensor (ON WHEN OCCUPIED, OFF WHEN NOT)	SF Snap-in frosted acrylic lens (85% transmission) Special for LEDs; only available for uplight and downlight	48L 48"	Up and Down	UV12WDT24W Uplight 12 Watts Downlight 24 Watts 3600 Lumens	DMV G120 0-10V dimming ELV/Triac dimming at 120V only	30K 3000K 35K 3500K 40K 4000K 50K 5000K
				UV18WDT36W Uplight 18 Watts Downlight 36 Watts 5400 Lumens		
				T26W2600L 26 Watts 2600 Lumens		
				T38W3800L 38 Watts 3800 Lumens		
				T45W4500L 45 Watts 4500 Lumens		
				* *		

Up and Down	UV24WDT48W Uplight 24 Watts Downlight 48 Watts 7200 Lumens
	UV36WDT72W Uplight 36 Watts Downlight 72 Watts 10800 Lumens
	T52W5200L 52 Watts 5200 Lumens
	T76W7600L 76 Watts 7600 Lumens
	T90W9000L 90 Watts 9000 Lumens
	* *

FINISH	CONFIGURATION	OPTIONS
WH White BK Black SI Silver	Blank Individual -B Beginner Run -E Ender Run -J Joiner	HC605WH Cable kit with 6' cable & 5 wires power feed/cable incl., clear cord and white canopy (included power feed and non-power feed) HC605WHNPF Cable kit with 6' cable & white canopy, non power feed (non-power feed only) HC612WH Cable kit with 12' cable & 5 wires power feed/cable incl., clear cord and white canopy (included power feed and non-power feed) HC612WHNPF Cable kit with 12' cable & white canopy, non power feed (non-power feed only)

Note:
*Programmable LED drivers allow custom configured wattages and corresponding lumens.
We reserve the right to change design, materials, LED's and finish in any way that will not alter installed appearance or reduce function and performance.



UNIVERSAL 360° SENSOR SNAP FIT ENCLOSURE • LINE VOLTAGE • PASSIVE INFRARED

SPECIFICATIONS

FEATURES

- Self-Contained Relay,
No Power Pack Needed
- No Minimum Load Requirements
- Interchangeable Hot & Load Wires,
Impossible to Wire Backwards
- Push-Button Programmable
- Adjustable Time Delays
- No Field Calibration or Sensitivity
Adjustments Required
- Convenient Test Mode
- 100 hr Lamp Burn-in Timer
- Green LED Indicator

LAMPMAXIMIZER® TECHNOLOGY

- Protects Lamp Life while
Maximizing Energy Savings
- Minimum On Timer (15 min default)
- Occ. Time Delay (10 min default)

PHYSICAL SPECS

SIZE 2.25" H x 1.38" W x 0.82" D
(5.715 cm x 3.51 cm x 2.08 cm)

WEIGHT 4 oz

MOUNTING Snaps into 2 3/16" H x
1 5/16" W x 1" D cavity in fixture

COLOR White

ELECTRICAL SPECS

LOAD RATING (1 PHASE ONLY)

800 W @ 120 VAC

1200 W @ 277 VAC

1500 W @ 347 VAC

MOTOR LOAD 1/4 HP

FREQUENCY 50/60 Hz

Timers are 1.2x for 50 Hz

ENVIRONMENTAL SPECS

OPERATING TEMP

14° to 160° F (-10° to 71° C)

RELATIVE HUMIDITY

20 to 90% non-condensing

SILICONE FREE

ROHS COMPLIANT

OVERVIEW

The Universal 360° Snap Fit sensor is a compact line voltage sensor that snaps directly into a small cavity in a fixture. The sensor utilizes Passive Infrared (PIR) detection to detect motion from occupants within its 360° coverage pattern that overlaps that of most HID, T-5, T-8, or LED fixtures used in high bay or low bay applications.

SENSOR OPERATION

The sensor detects changes in the infrared energy given off by occupants as they move within the field-of-view. When occupancy is detected, a self-contained relay switches the connected lighting load on. The sensor is line powered, switches line voltage, and requires no field calibration or sensitivity adjustments.

LAMPMAXIMIZER®

This sensor also contains patented LampMaximizer technology that allows users to aggressively target energy savings while still protecting lamp life. A minimum on timer, factory set at 15 minutes, helps preserve lamp life by eliminating all lamp cycles shorter than lamp manufacturers' recommendations.

A standard occupancy time delay is also present that ensures lights turn off (assuming minimum on timer has elapsed) if no occupancy is detected. This timer is factory set at 10 minutes to promote energy savings, but is adjustable between 30 seconds and 30 minutes. These adjustments can be done manually, through the unit's push-button; no tools required.

OPTIONS

347 VAC (347)

- Allows sensor to be powered from and switch 347 VAC

LOW TEMP/HIGH HUMIDITY (LT)

- Sensor electronics are coated for corrosion resistance
- Operates down to -40° F/C
- R required for cooler/freezer applications



TITLE 24
ASSEMBLED in U.S.A.
5 YEAR WARRANTY

ORDERING INFO SFR 30 [VOLTAGE] [TEMP/HUMIDITY]

VOLTAGE

Blank = 120/277 VAC
347 = 347 VAC

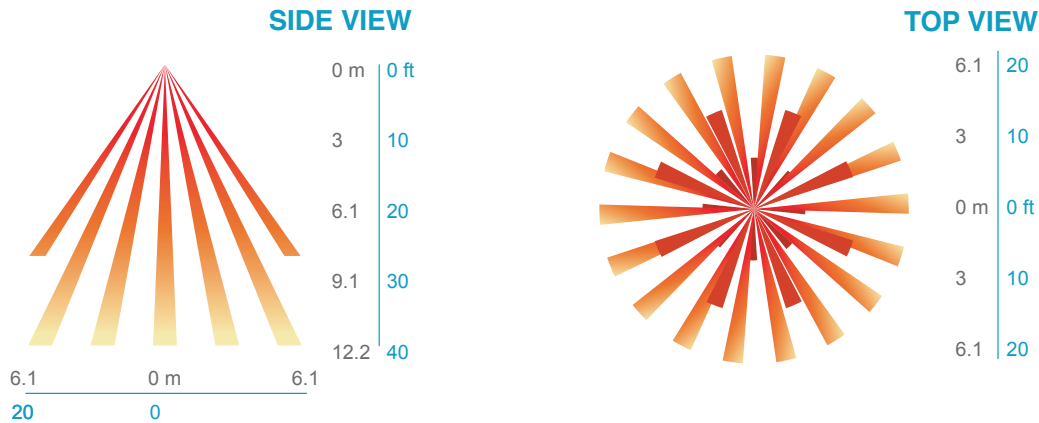
TEMP/HUMIDITY

Blank = Standard
LT = Low Temp

COVERAGE PATTERN

UNIVERSAL 360° LENS

- Provides excellent detection of large motion (e.g. walking) when mounted between 15 to 40 ft (4.57 to 12.19 m)
- 15 to 20 ft (4.57 to 6.10 m) radial coverage overlaps area lit by a typical high bay fixture
- Recommended for fixtures that have a 1:1 spacing to mounting height ratio or less (e.g. fixtures 30' on center or less @ a 30' mounting height).



WIRING (DO NOT WIRE HOT)

STANDARD WIRING

- BLACK* - Line Input
 - BLACK* - Load Output
 - WHITE - Neutral
- *BLACK wires can be reversed

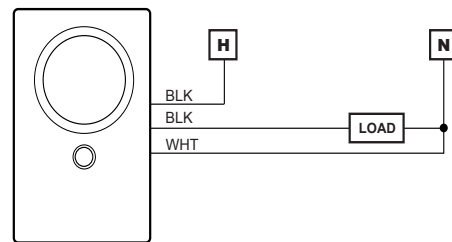
347 VAC OPTION

Black wires are replaced w/ Red wires

INITIAL POWER UP

The sensor's relay is shipped in a latched closed position so the lights will come on upon initial power-up. If the lights do not immediately turn on (initial installation only) the latching relay opened during shipment and will close within 30 secs.

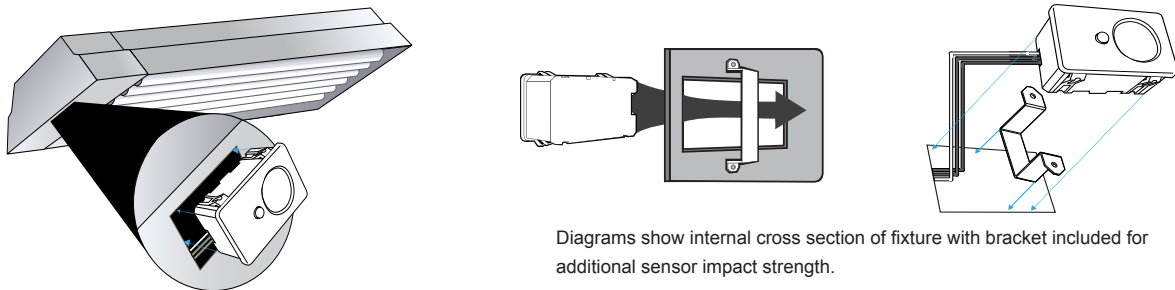
Note: If the sensor loses power, the internal relay will latch closed.



INSTALLATION

MOUNTING

- The snap fit enclosure is designed to fit snugly inside a 2 3/16" H x 1 5/16" W x 1" D cavity in a luminaire.



Diagrams show internal cross section of fixture with bracket included for additional sensor impact strength.

- For optimal detection, position sensor such that segments are crossed upon entrance and unable to view outside the space

PROGRAMMING

Refer to instruction card IC1-002 for default settings and directions on programming the sensor via the push-button.

sensorswitch

An Acuity Brands Company

WARRANTY: Sensor Switch warrants these products to be free of defects in manufacture and workmanship for a period of 60 months. Sensor Switch, upon prompt notice of such defect, will, at its option, provide a Returned Material Authorization number and repair or replace returned product.

LIMITATIONS AND EXCLUSIONS: This Warranty is in full lieu of all other representation and expressed and implied warranties (including the implied warranties of merchantability and fitness for use) and under no circumstances shall Sensor Switch be liable for any incidental or consequential property damages or losses.

TS-SFR-006A