



## SSD : SLIM SURFACE DOWNLIGHT

### DESCRIPTION

The SSD Slim Surface Downlight is a recessed downlight suitable for new construction and remodeling applications. It features uniform light distribution, Triac dimming, and optional colored trim rings to customize the look of the fixture.

### FEATURES

- Replaces legacy 6", 8", or 9" CFL or incandescent downlights
- Provides comfortable diffused light with no dark spots
- Dimmable to 10% with compatible Triac dimmers

### LISTINGS

- ETL Listed for Damp Locations
- ENERGY STAR® Approved for superior energy efficiency

### PERFORMANCE

- 3000K or FieldCCeT
- FieldCCeT option lets user choose between 2700K/3000K/4000K prior to installation
- CRI: >80 or >90

### ELECTRICAL

- Input voltage: 120V
- Triac dimming (6" and 8" models)

### CONSTRUCTION

- Frosted lens for diffuse lighting

### WARRANTY

- 5 year limited warranty; see eiko.com for warranty details

project name	type
catalog number	
comments	voltage
approved by	date



### APPLICATIONS

- Residential
- Multi-family
- Hospitality
- Office
- Property management
- Healthcare
- Retail



## ORDERING INFORMATION

EXAMPLE: SSD6-84-12W-830-120DT-WH

Model	Size	Lumens	Watts	CRI/CCT	Voltage	Dimming	Finish	Options
SSD : Slim Surface Downlight	6 - 6"	84 - 840 lm	12W - 12W	830 - 80 CRI; 3000K 9CCT3 - 90 CRI; 27/30/4000K	120 - 120V	DT - Triac Dimming	WH - White	EM - Emergency Battery Backup
	8 - 8"		18W - 18W	830 - 80 CRI; 3000K 9CCT3 - 90 CRI; 27/30/4000K				
	9 - 9"	126 - 1,260 lm		930 - 90 CRI; 3000K	UNV - 120-277V	[Non-Dim]		



WAREHOUSE-LIGHTING.COM

Warehouse-Lighting.com  
2750 South 163<sup>rd</sup> St  
New Berlin, WI 53151

[Warehouse-Lighting.com](http://Warehouse-Lighting.com)  
Phone: 888-454-4480  
[info@warehouse-lighting.com](mailto:info@warehouse-lighting.com)

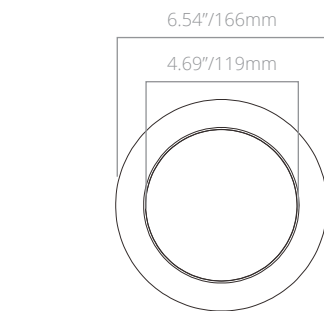
## PERFORMANCE SUMMARY

Order Code	Item #	Size	Watts	Lumens	CCT	CRI	Volts	Dimming	ES
11285	SSD6-84-12W-830-120DT-WH	6"	12W	840 lm	3000K	80+	120-277V	Triac	★
11286	SSD8-126-18W-830-120DT-WH	8"	18W	1,260 lm	3000K	80+	120-277V	Triac	★
11287	SSD6-84-12W-9CCT3-120DT-WH	6"	12W	840 lm	27/30/4000K	90+	120-277V	Triac	★
11288	SSD8-126-18W-9CCT3-120DT-WH	8"	18W	1,260 lm	27/30/4000K	90+	120-277V	Triac	★
11313	SSD9-126-18W-930-UNV-WH-EM	9"	18W	1,260 lm	3000K	90+	120-277V	Non-dimming	★

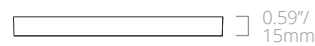
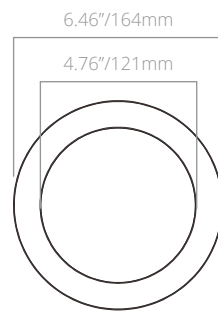
## AVAILABLE ACCESSORIES (9CCT3 versions only)

Order Code	Item #	Description
11289	SSD6-TRIM-BK	6" Trim Black
11308	SSD6-TRIM-CH	6" Trim Chrome
11309	SSD6-TRIM-NI	6" Trim Nickel
11310	SSD8-TRIM-BK	8" Trim Black
11311	SSD8-TRIM-CH	8" Trim Chrome
11312	SSD8-TRIM-NI	8" Trim Nickel

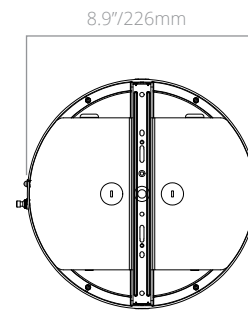
## DIMENSIONS



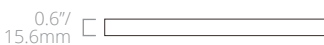
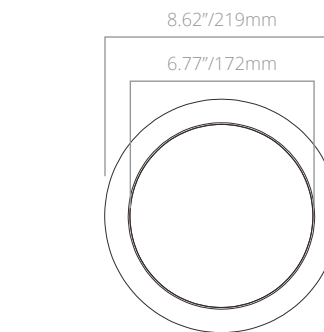
**6" Trim Ring**



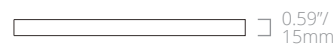
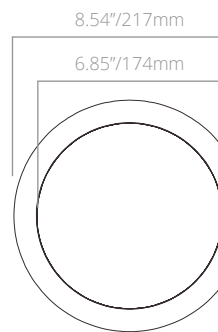
**6" SDL Fixture**



**9" SDL Fixture**



**8" Trim Ring**



**8" SDL Fixture**



WAREHOUSE-LIGHTING.COM

Warehouse-Lighting.com  
2750 South 163<sup>rd</sup> St  
New Berlin, WI 53151

[Warehouse-Lighting.com](http://Warehouse-Lighting.com)  
Phone: 888-454-4480  
[info@warehouse-lighting.com](mailto:info@warehouse-lighting.com)