



KTEB-239HO-UV-PS-SL

T5HO ELECTRONIC BALLAST



DESCRIPTION

2 x F39T5HO | 120-277V Input | High Power Factor | Program Start | 90°C Rated | 9" Case

STARTING METHOD: Program Start
LAMP CONNECTION: Series
INPUT VOLTAGE: 120-277Vac ±10%
INPUT FREQUENCY: 50/60 Hz
POWER FACTOR: High
WARRANTY: 5 Years



PRODUCT FEATURES

- Sound Rated: A
- Minimum Starting Temperature: 0°F, -18°C
- Maximum Case Temperature: 194°F, 90°C
- Meets FCC Part 18 (Class A) Non Consumer Limits
- UL, cUL 935 Listed
- Transient Protection Meets ANSI/IEEE C62.41 Cat. A
- Lamp End-of-Life Protected
- Class P, Type 1 Outdoor
- Type HL

ELECTRICAL SPECIFICATIONS

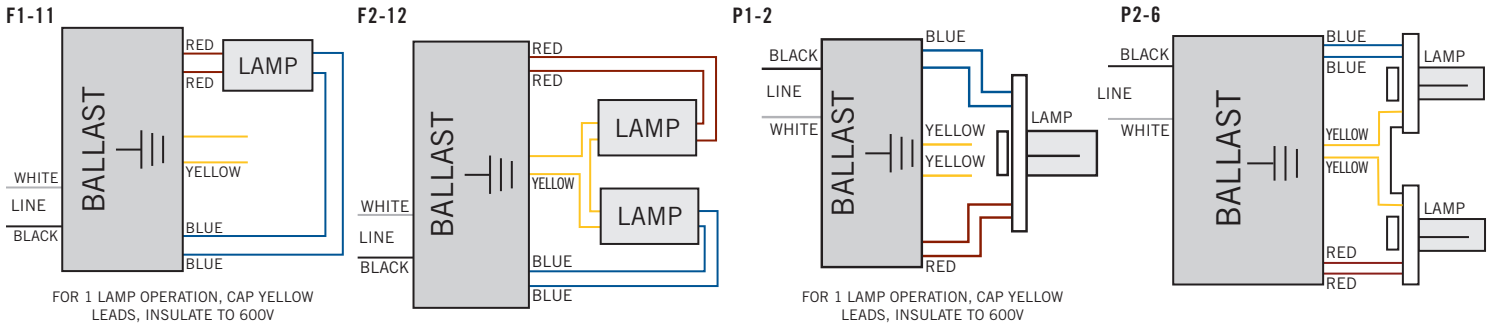
Lamp Type	No. of Lamps	Input Volts	Input Watts	Input Current	Power Factor	Crest Factor	Ballast Factor	Ballast Efficacy Factor	Max. THD	Wiring Diagrams
F39T5/HO	2	120V	90W	0.78A	0.99	1.70	1.00	1.11	10%	F2-12
		277V	89W	0.34A	0.99	1.70	1.00	1.12	10%	F2-12
	1	120V	46W	0.39A	0.99	1.70	1.03	2.23	10%	F1-11
		277V	47W	0.18A	0.97	1.70	1.06	2.25	12%	F1-11
F24T5/HO	2	120V	59W	0.50A	0.99	1.70	1.08	1.83	10%	F2-12
		277V	59W	0.22A	0.98	1.70	1.08	1.836	10%	F2-12
	1	120V	30W	0.25A	0.99	1.70	1.10	3.66	10%	F1-11
		277V	30W	0.12A	0.95	1.70	1.10	3.66	15%	F1-11
FC12T5 40W	2	120V	93W	0.78A	0.99	1.70	1.02	1.09	10%	P2-6
		277V	92W	0.34A	0.98	1.70	1.01	1.09	10%	P2-6
	1	120V	49W	0.41A	0.99	1.70	1.07	2.18	10%	P1-2
		277V	50W	0.19A	0.97	1.70	1.10	2.18	12%	P1-2
FC9T5 22W	2	120V	63W	0.53A	0.99	1.70	1.25	1.98	10%	P2-6
		277V	63W	0.23A	0.98	1.70	1.25	1.98	10%	P2-6
	1	120V	33W	0.28A	0.99	1.70	1.31	3.97	10%	P1-2
		277V	33W	0.13A	0.95	1.70	1.31	3.97	12%	P1-2
FT36W/2G11	2	120V	72W	0.60A	0.99	1.70	0.87	1.20	10%	P2-6
		277V	71W	0.26A	0.98	1.70	0.87	1.22	10%	P2-6
	1	120V	38W	0.32A	0.99	1.70	0.92	2.42	10%	P1-2
		277V	38W	0.14A	0.99	1.70	0.92	2.42	10%	P1-2
FT24W/2G11	2	120V	54W	0.45A	0.99	1.70	0.99	1.83	10%	P2-6
		277V	55W	0.20A	0.98	1.70	0.99	1.80	10%	P2-6
	1	120V	30W	0.25A	0.99	1.70	1.09	3.63	10%	P1-2
		277V	30W	0.12A	0.95	1.70	1.09	3.63	15%	P1-2
FT40W/2G11	1	120V	50W	0.42A	0.99	1.70	1.09	2.18	10%	P1-2
		277V	50W	0.19A	0.97	1.70	1.09	2.18	12%	P1-2
(1) FC9T5+(1) FC12T5	2	120V	68W	0.57A	0.99	1.70	0.96	1.41	10%	P2-6
		277V	68W	0.25A	0.98	1.70	0.96	1.41	10%	P2-6



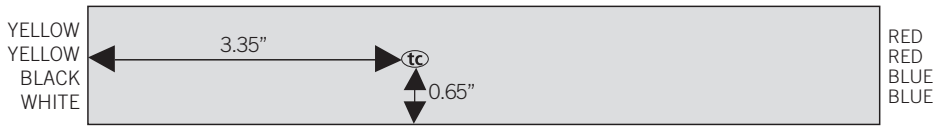
KTEB-239HO-UV-PS-SL

T5HO ELECTRONIC BALLAST

WIRING DIAGRAMS



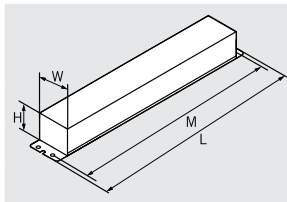
HOT SPOT LOCATION



Actual tc point is noted on each ballast label.

PHYSICAL SPECIFICATIONS

CASE DIMENSIONS



LENGTH	9.45"
WIDTH	1.35"
HEIGHT	1.06"
MOUNTING	8.96"
CASE STYLE	L30

STANDARD LEAD LENGTHS*

BLACK	24"
WHITE	24"
BLUE	28"
RED	28"
YELLOW	44"

Lead wires are 18 AWG 105 C/600V, solid copper.

CASE MATERIAL: Steel

*Consult Keystone for special lead length requirements.

ORDERING INFORMATION

ORDER CODE	PACKAGING STYLE	PACK QTY.	ITEM STATUS
KTEB-239HO-UV-PS-SL-CP	Carton Pack	40	Active

CATALOG NUMBER BREAKDOWN

KTEB-239HO-UV-PS-SL-CP

