



# KTEB-132-UV-PS-N-P

## T8 ELECTRONIC BALLAST

Version A4



### DESCRIPTION

1x F32T8 | 120-277V | High Power Factor | Program Start

<b>STARTING METHOD:</b> Program
<b>LAMP CONNECTION:</b> Series
<b>INPUT VOLTAGE:</b> 120-277VAC ±10%
<b>INPUT FREQUENCY:</b> 50/60 Hz
<b>BALLAST FACTOR (LIGHT OUTPUT):</b> Normal
<b>WARRANTY:</b> 5 Years



### PRODUCT FEATURES

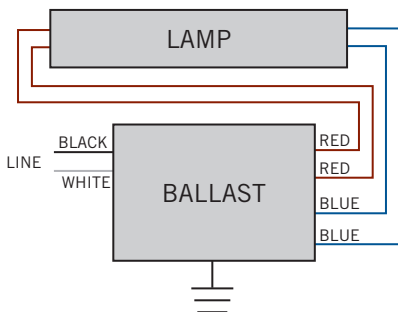
- 2014 DOE Compliant
- Sound Rated: A
- Maximum Case Temperature: 194°F, 90°C
- Maximum Ambient Temperature: 131°F, 55°C
- Meets FCC Part 18 (Class A) Non-Consumer Limits
- Meets ANSI Standard C82.11-2005 and C62.41-2002
- Open Circuit Voltage: 300V
- UL, cUL Listed Class P, Type 1 Outdoor
- Type HL, Type CC
- Number of Lamp Starts: >100,000

### ELECTRICAL SPECIFICATIONS

LAMP TYPE	NO. OF LAMPS	INPUT VOLTS	INPUT WATTS	INPUT CURRENT (AMPS)	POWER FACTOR	CREST FACTOR	BALLAST FACTOR	BALLAST EFFICACY FACTOR	MAX THD (%)
F32T8	1	120	30	0.25	≥0.98	≤1.70	0.88	2.95	10
	1	277	30	0.11	≥0.98	≤1.70	0.88	2.98	10
F32T8 (30W)	1	120	27	0.23	≥0.98	≤1.70	0.88	3.28	10
	1	277	29	0.11	≥0.98	≤1.70	0.88	3.06	10
F32T8 (28W)	1	120	26	0.22	≥0.98	≤1.70	0.88	3.40	10
	1	277	27	0.10	≥0.98	≤1.70	0.88	3.42	10
F32T8 (25W)	1	120	25	0.21	≥0.98	≤1.70	0.88	3.56	10
	1	277	27	0.10	≥0.98	≤1.70	0.88	3.30	10
F40T8	1	120	36	0.29	≥0.98	≤1.70	0.88	2.93	10
	1	277	35	0.13	≥0.98	≤1.70	0.88	2.93	10

### WIRING DIAGRAM

F1-6





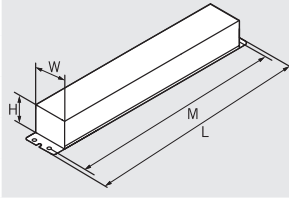
# KTEB-132-UV-PS-N-P

## T8 ELECTRONIC BALLAST

Version A4

### MECHANICAL SPECIFICATIONS

#### CASE DIMENSIONS



<b>LENGTH</b>	9.50"
<b>WIDTH</b>	1.35"
<b>HEIGHT</b>	1.10"
<b>MOUNTING</b>	8.90"
<b>CASE STYLE</b>	L30

#### STANDARD LEAD LENGTHS\*

<b>BLACK</b>	25"
<b>WHITE</b>	25"
<b>BLUE</b>	31"
<b>RED</b>	46"

\*Consult Keystone for special lead length requirements.

### ORDERING INFORMATION

ORDER CODE	PACKAGING STYLE	PACKAGE QUANTITY	ITEM STATUS
KTEB-132-UV-PS-N-P-CP	Carton	20	Active

### ALTERNATE DESIGNS

PART NUMBER	DESCRIPTION
KTEB-132-UV-PS-N-P /F1	Black and White Leads: 8", Blue Leads: 20", Red Leads: 39"; 90 Degree Flag Terminal on Black Lead
KTEB-132-UV-PS-N-P /F2	Black and White Leads: 8", Blue Leads: 20", Red Leads: 12"; 90 Degree Flag Terminal on Black Lead
KTEB-132-UV-PS-N-P /F3	Black and White Leads: 16", Blue Leads: 32", Red Leads: 23"; 90 Degree Flag Terminal on Black Lead

### CATALOG NUMBER BREAKDOWN

<b>K</b>	<b>T</b>	<b>E</b>	<b>B</b>	<b>-</b>	<b>1</b>	<b>3</b>	<b>2</b>	<b>-</b>	<b>U</b>	<b>V</b>	<b>-</b>	<b>P</b>	<b>S</b>	<b>-</b>	<b>N</b>	<b>-</b>	<b>P</b>	<b>-</b>	<b>CP</b>	
Keystone Technologies	1	Wattage	Universal	Program	Normal	NEMA	Packaging													
Electronic Ballast	Lamp		Voltage	Start	Ballast	Premium	Style													
					Factor															