



# KT-WDLED8-4A-9CSF-FDIM-G

## 4" LED GIMBAL DOWNLIGHT

### DESCRIPTION

4" LED Gimbal Downlight |  
 Color Select Technology |  
 Remote Driver with Built-in Junction Box

### APPLICATION

Ideal for residential, hospitality, retail, office, and other retrofit and new construction applications



### PRODUCT FEATURES

- Ideal for new construction, remodel, and retrofit applications
- Gimbal construction features up to 25° vertical tilt, 355° horizontal rotation
- Keystone Color Select technology offers SKU reduction and allows for easy, on-the-job adjustments
- Powered by Keystone TRIAC dimming LED driver, 10–100% dimming
- Utilizes a remote driver with built-in junction box and quick disconnect; Eliminates the need for a traditional, multi-piece fixture setup
- Suitable for use in wet locations
- Airtight and Type IC-rated
- Ambient operating temperature: –30°C/–22°F to 40°C/104°F
- Power factor: >0.90
- THD: <20%
- LED chip lifetime: L70 >50,000 hrs @ 25°C/77°F ambient fixture temp
- CEC Compliant Flicker Rate (CEC JA10 std.)
- FCC Part 15, Subpart B, Class B

### PERFORMANCE SPECIFICATIONS

Catalog Number	Input Voltage	Wattage	CCT (Selectable)*	Lumen Output	Efficacy	CRI	Power Factor	Beam Angle	Lifetime
KT-WDLED8-4A-9CSF-FDIM-G	120V	8W	2700K	650	81 lm/W	>90	>0.9	110°	50,000 hrs
			3000K	670	84 lm/W				
			3500K	695	87 lm/W				
			4000K	710	89 lm/W				
			5000K	700	88 lm/W				

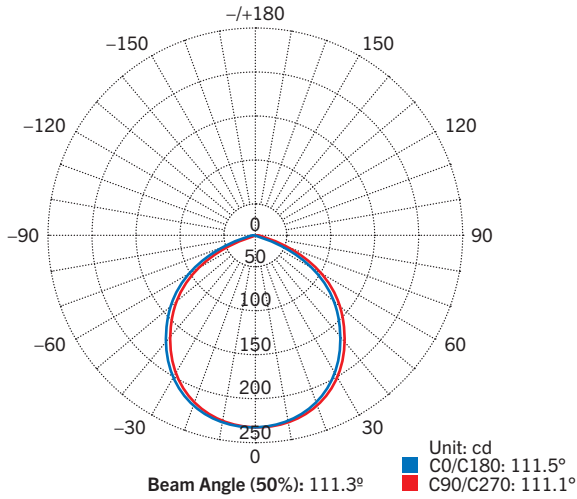
\*Preset to 3000K  
 Color Uniformity: CCT (Correlated Color Temperature) range as per guidelines outlined in ANSI C78.377-2017

# KT-WDLED8-4A-9CSF-FDIM-G

## 4" LED WAFER DOWNLIGHT

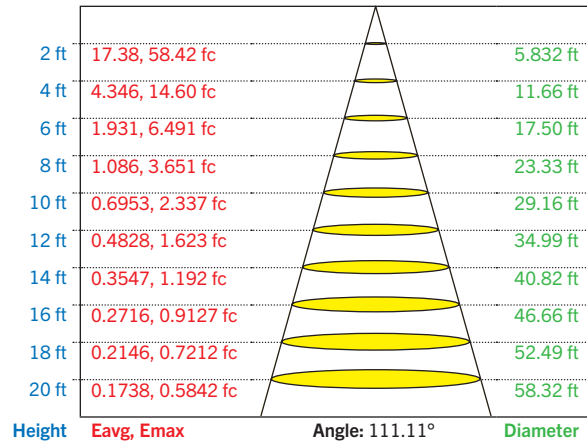
### PHOTOMETRIC SPECIFICATIONS

#### POLAR CANDELA DISTRIBUTION



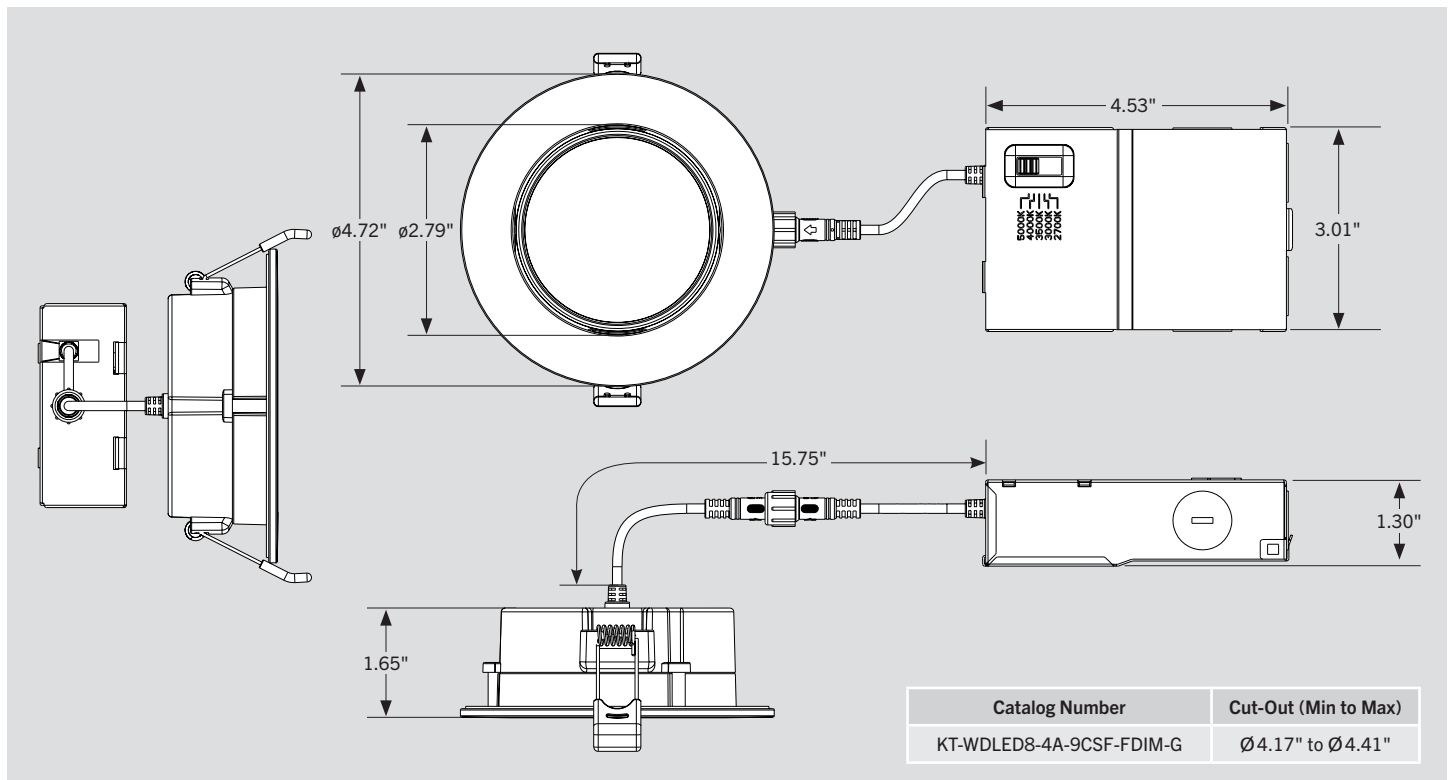
#### LUX DISTANCE CURVE

Flux Out: 480.1 lm



Curves show illuminated area and average illumination when lamp is at various distances.

### PHYSICAL SPECIFICATIONS



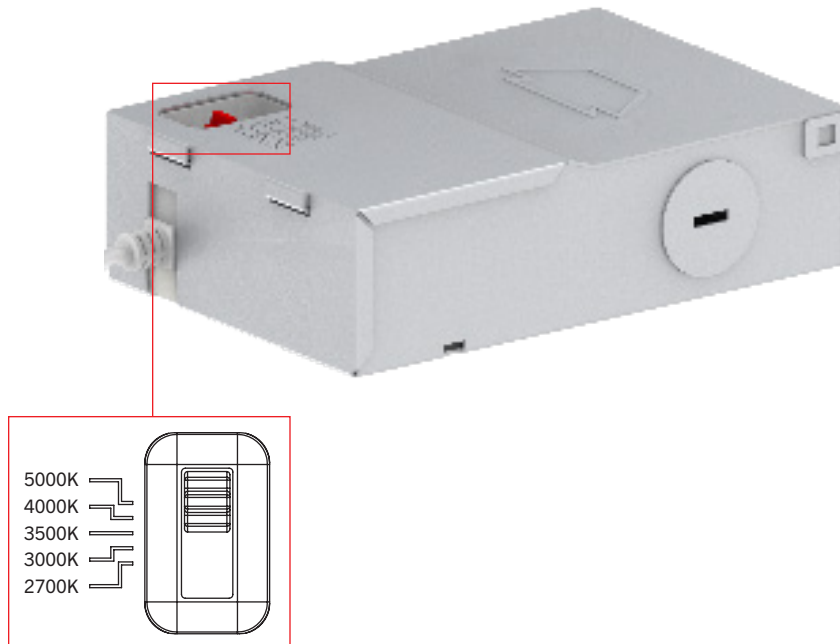
# KT-WDLED8-4A-9CSF-FDIM-G

## 4" LED GIMBAL DOWNLIGHT

### COLOR SELECT (CCT) ADJUSTMENT

This fixture is equipped with field-adjustable Keystone Color Select technology.

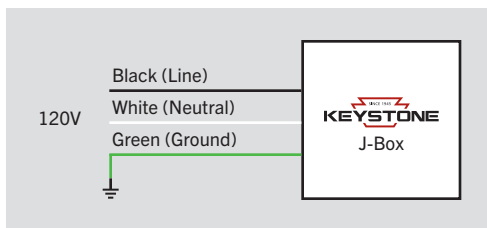
1. Ensure power is off to the fixture.
2. Adjust dip switch to desired setting.



### COLOR SELECT ADJUSTMENT SWITCH

Set dip switch to adjust CCT between 2700K, 3000K, 3500K, 4000K, and 5000K. Fixture comes preset at 3000K.

### WIRING DIAGRAM



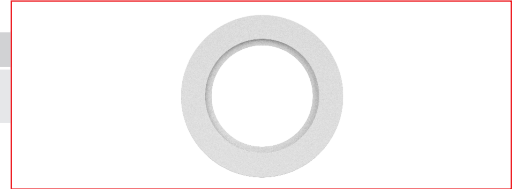
# KT-WDLED8-4A-9CSF-FDIM-G

## 4" LED GIMBAL DOWNLIGHT

### OPTIONAL ACCESSORIES (sold separately)

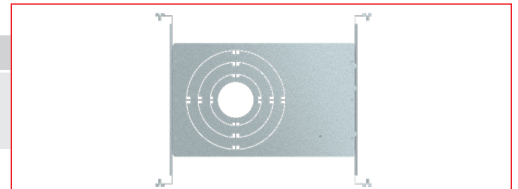
#### GOOF RING

Catalog Number	Description	UPC	Easy Code
KT-WDLED-4AB-GOOF	Goof Ring for 4A/4B LED Circa Downlights; 6" outer diameter	843654139647	FRG-59



#### NEW-CONSTRUCTION PLATE

Catalog Number	Description	UPC	Easy Code
KT-WDLED-PLATE-2	New Construction Mounting Plate for all A and B LED Circa Downlights for joist and T-grid installations	843654139791	FZT-71



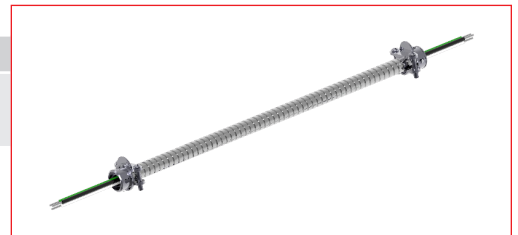
#### EXTENSION CABLES

Catalog Number	Description	UPC	Easy Code
KT-WDLED-EC-6	6' Extension Cord for LED Circa Downlights	843654139739	GOK-14
KT-WDLED-EC-12	12' Extension Cord for LED Circa Downlights	843654139746	ECE-88
KT-WDLED-EC-20	20' Extension Cord for LED Circa Downlights	843654139753	JLM-06



#### METAL-CLAD CABLE

Catalog Number	Description	UPC	Easy Code
KT-MC-NP-1-18/3	Metal-Clad Cable for LED Recessed Downlights; No plug; UL 16AWG 18/3 wire (live, neutral, ground)	843654139777	AYT-71





# KT-WDLED8-4A-9CSF-FDIM-G

## 4" LED GIMBAL DOWNLIGHT

### ORDERING INFORMATION

Catalog Number	Pack Qty.	UPC	Easy Code
KT-WDLED8-4A-9CSF-FDIM-G	1	843654154657	AZN-56

### CATALOG NUMBER BREAKDOWN

# KT-WDLED8-4A-9CSF-FDIM-G

1
2
3
4
5
6
7
8
9
10
11

- 1** Keystone Technologies
- 2** Fixture Type
 

WD	Wafer Downlight
----	-----------------
- 3** LED Technology
- 4** Maximum Wattage
- 5** Size
 

4	4" Nominal
---	------------
- 6** Style/Design Designation
 

A	Series A
---	----------
- 7** CRI
 

9	90
---	----
- 9** Color Select Designation
 

F	2700K, 3000K, 3500K, 4000K, 5000K
---	-----------------------------------
- 10** Dimming
 

FDIM	Phase Dimming
------	---------------
- 11** Gimbal Construction