

KT-TFLED100PS-850 TEMPORARY LED WORK LIGHT

DESCRIPTION

Temporary LED Work Light | Power Select

APPLICATION

Used for construction sites, open workshops, and outdoor activity areas



PRODUCT FEATURES

- Temporary LED high bay multi-functional work light designed for portability
- Strong, durable, lightweight construction
- Features Keystone Power Select technology. Adjust power between 100W, 80W, or 60W
- Metal mesh cover protects lamp from collision and fall impact damage
- Plug-and-socket design and anti-pull metal buckle ensure secure connection of two or more lamps
- Provides high-efficiency, high-power, wide angle, omni-directional light distribution
- Linkable end-to-end: Total of 5A max load linked together parallel; self-recovery fuse in case of overload conditions. DO NOT CONNECT anything other than additional temporary LED work lights together.
- Driver with heat sink silicone is waterproof, dust-proof, and mosquito-proof
- Isolated driver provides better heat dissipation
- Do not use with dimmers
- 6kV surge protection
- Operating temperature: -30°C/-22°F to 60°C/140°F
- IP64 rated

PERFORMANCE SPECIFICATIONS

Catalog Number	Selectable Power	Lumens	Efficacy	Input Voltage	CRI	CCT
KT-TFLED100PS-850	100W	10,000	100lm/W	120Vac	>80	5000K
	80W	8,600				
	60W	6,800				

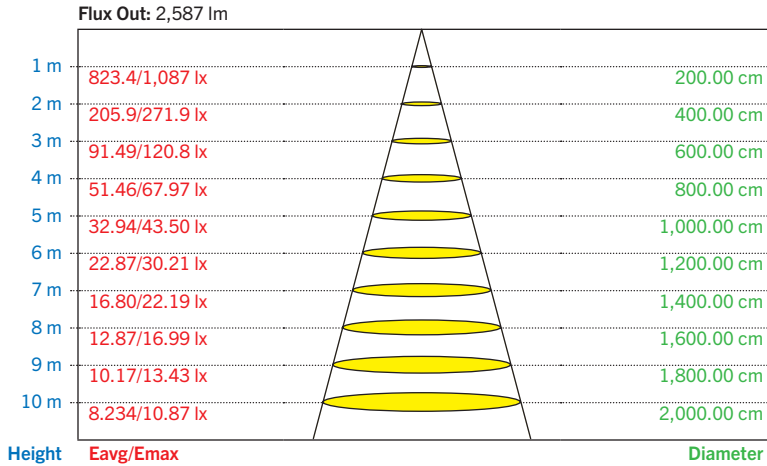


KT-TFLED100PS-850

TEMPORARY LED WORK LIGHT

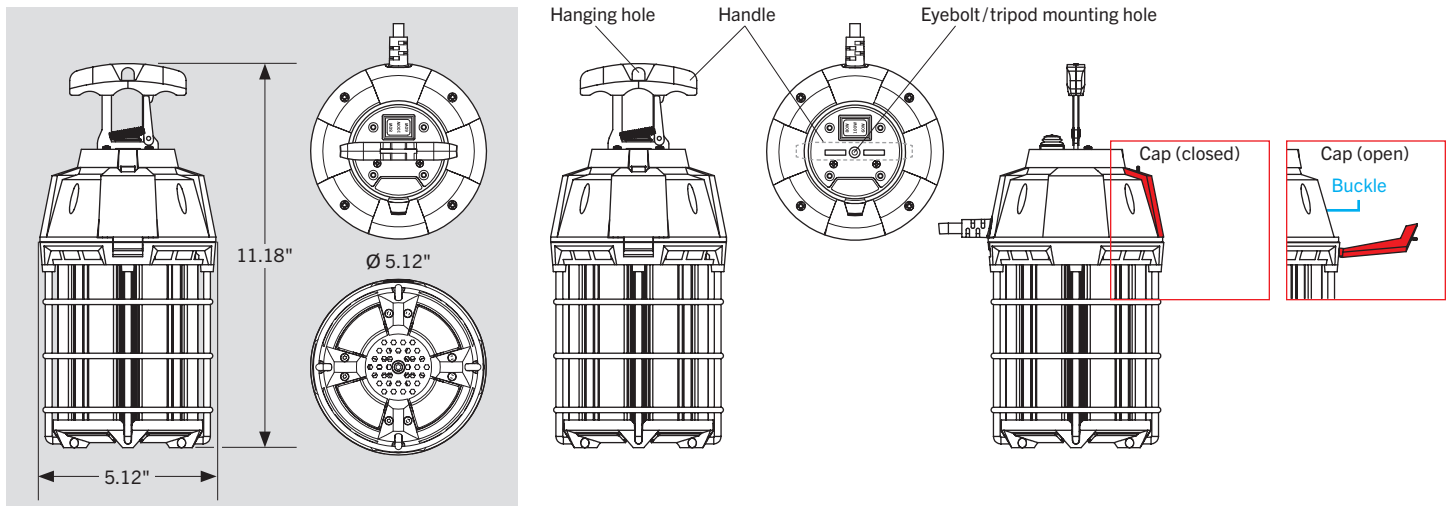
PHOTOMETRIC SPECIFICATIONS

LUX DISTANCE CURVE



Curves show illuminated area and average illumination when lamp is at various distances.

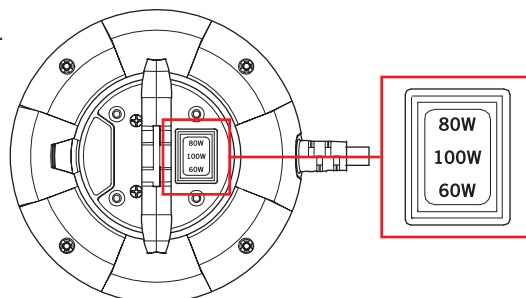
PHYSICAL SPECIFICATIONS



POWER SELECT (WATTAGE) ADJUSTMENT

This fixture is equipped with Power Select technology.

1. Ensure power is off to the fixture.
2. Adjust dip switch to desired setting.



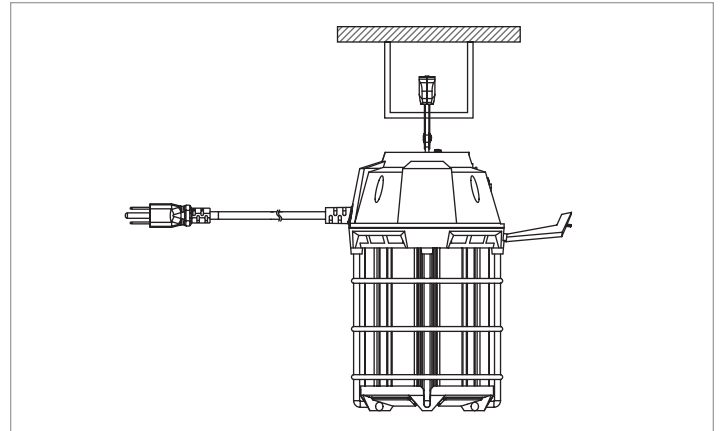
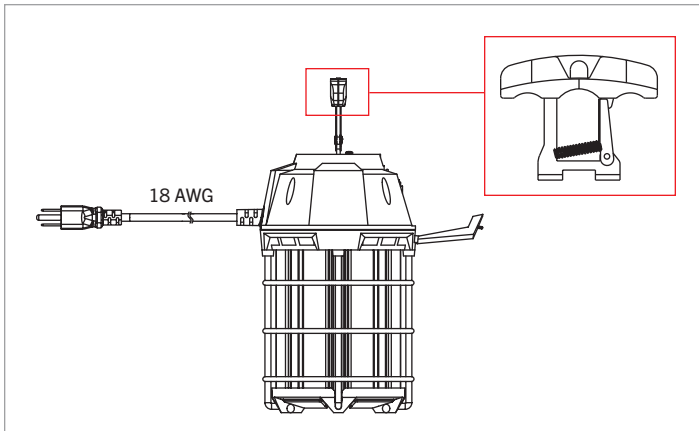
POWER SELECT ADJUSTMENT

Set dip switch to adjust wattage between 100W, 80W, and 60W. Fixture comes preset at 100W.

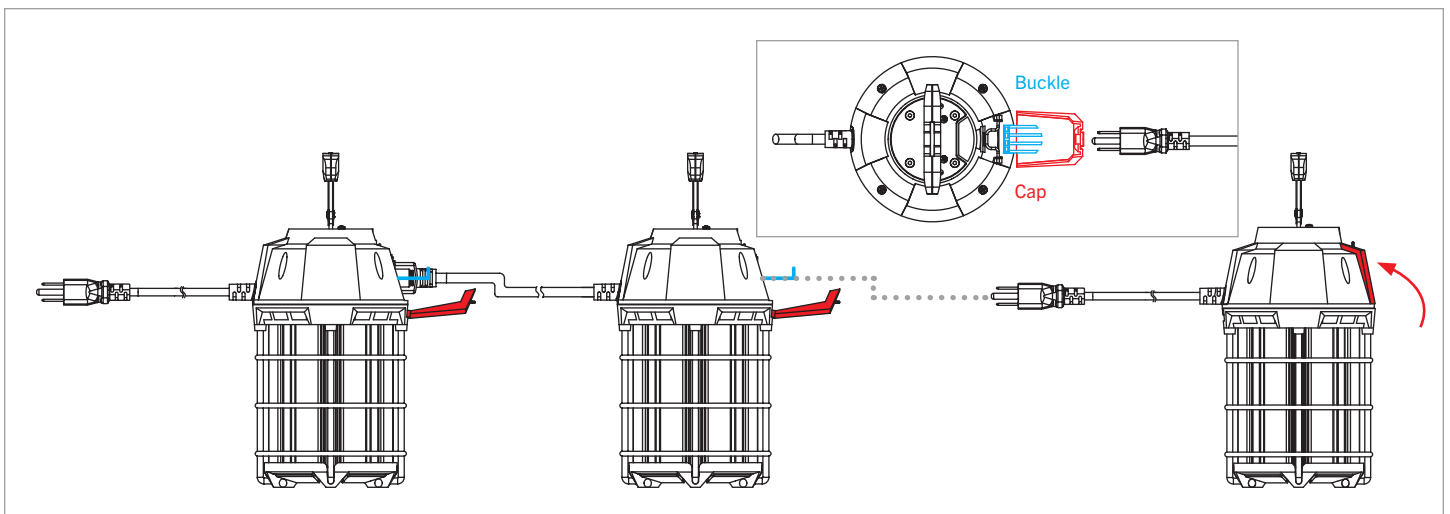
KT-TFLED100PS-850 TEMPORARY LED WORK LIGHT

FIXTURE INSTALLATION INSTRUCTIONS

1. Ensure power is off to the fixture.
2. Hang lamp from the base hook to a fixed wall or object, ensuring that the fixed wall or object will safely support 66 lbs.



3. Use the plugs and sockets to connect two or more lamps (total 5A max for parallel connection), rotating buckles 90° to ensure secure lamp connections. *Note:* The standard cable length is 6 ft; purchase additional cable if greater length is required.
4. Close the cap for the last lamp in the series.



5. Re-connect power when ready.



KT-TFLED100PS-850

TEMPORARY LED WORK LIGHT

ORDERING INFORMATION

ORDER CODE	PACK QTY.	UPC	Easy Code
KT-TFLED100PS-850	4	843654133980	FKS-18

CATALOG NUMBER BREAKDOWN

KT-TFLED100PS-850

1 2 3 4 5 6 7

- 1 Keystone Technologies
- 2 Temporary Fixture
- 3 LED Technology
- 4 Max Wattage
- 5 Power Select
- 6 80 CRI
- 7 Color Temperature