

# KT-RDLED23-8B-9CSF-FDIM

## 8" LED RECESSED DOWNLIGHT

### DESCRIPTION

8" LED Recessed Downlight |  
Color Select Technology |  
Remote Driver with Built-in Junction Box

### APPLICATION

Ideal for residential, hospitality, retail, office, and other retrofit and new construction applications



### PRODUCT FEATURES

- Keystone Color Select technologies offers SKU reduction and allows for easy, on-the-job adjustments
- Utilizes a remote driver with built-in junction box and quick disconnect; Eliminates the need for a traditional, multi-piece fixture setup
- CEC Compliant Flicker Rate (CEC JA10 std.)
- Ideal for new construction, remodel, and retrofit applications
- Frosted lens provides even illumination
- Interchangeable trims available in matte black, brushed nickel, and bronze
- Powered by Keystone TRIAC dimming LED driver, 10–100% dimming
- Ambient operating temperature: –30°C/–22°F to 40°C/104°F
- Suitable for use in wet locations
- Airtight and Type IC-rated
- Power factor: >0.90
- THD: <20%
- LED chip lifetime: L70 >80,000 hrs @ 25°C/77°F ambient fixture temp
- FCC Part 15, Subpart B, Class B

### PERFORMANCE SPECIFICATIONS

Catalog Number	Input Voltage	Wattage	CCT (Selectable)*	Lumen Output	Efficacy	CRI	Power Factor	Beam Angle	Lifetime
KT-RDLED23-8B-9CSF-FDIM	120V	23W	2700K	1,950	85 lm/W	>90	>0.9	85°	50,000 hrs
			3000K	1,980	86 lm/W				
			3500K	2,010	87 lm/W				
			4000K	2,010	87 lm/W				
			5000K	1,980	86 lm/W				

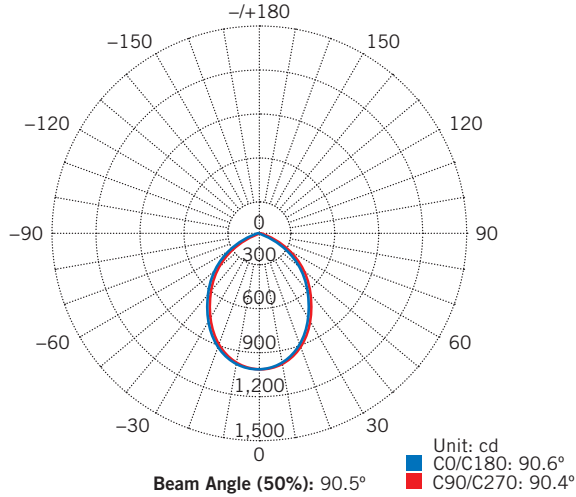
\*Preset to 3000K

Color Uniformity: CCT (Correlated Color Temperature) range as per guidelines outlined in ANSI C78.377-2017

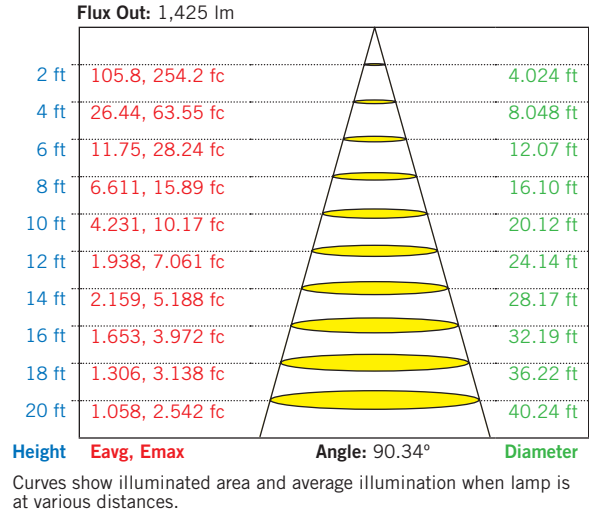
**KT-RDLED23-8B-9CSF-FDIM**  
8" LED RECESSED DOWNLIGHT

**PHOTOMETRIC SPECIFICATIONS**

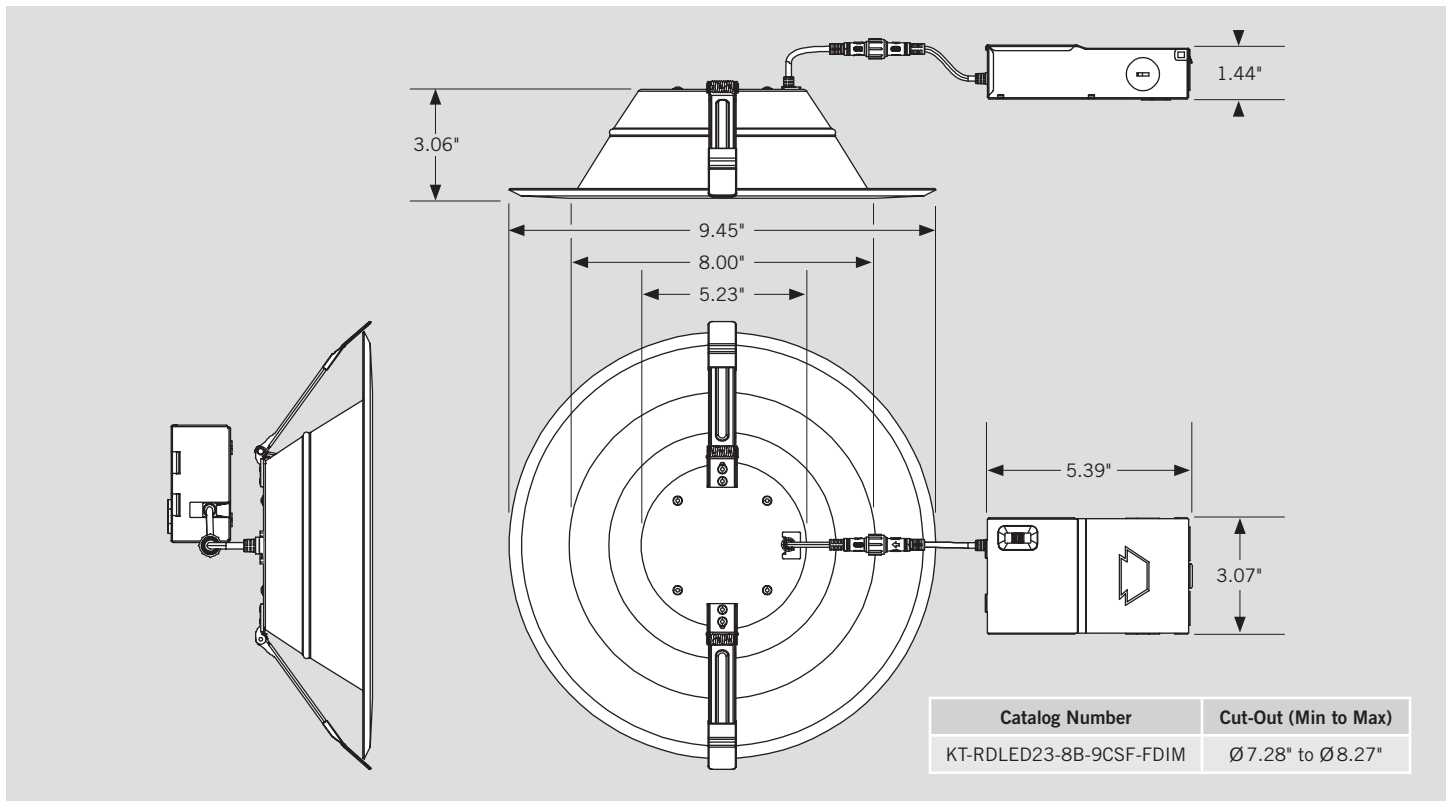
**POLAR CANDELA DISTRIBUTION**



**LUX DISTANCE CURVE**



**PHYSICAL SPECIFICATIONS**



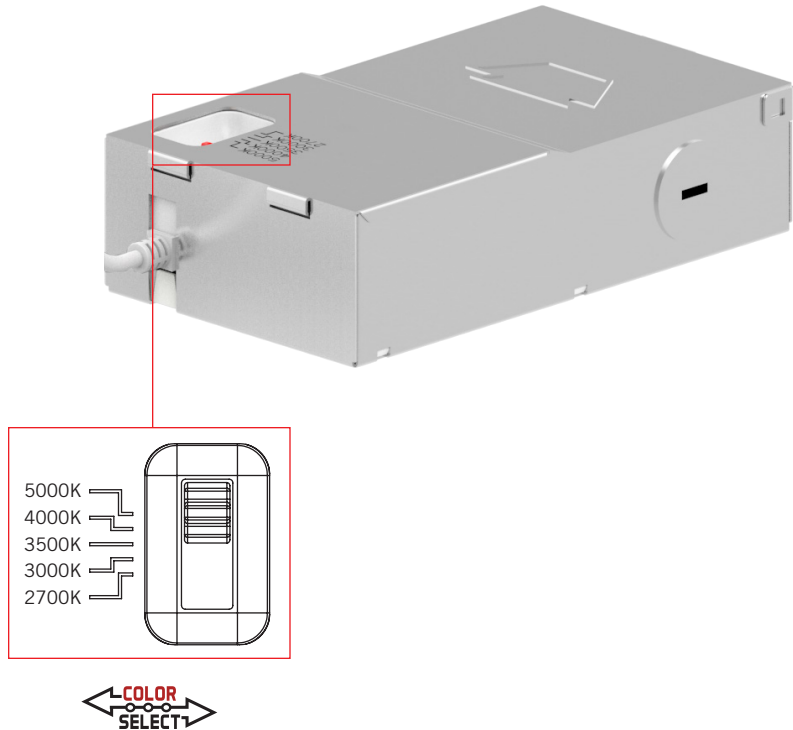
# KT-RDLED23-8B-9CSF-FDIM

## 8" LED RECESSED DOWNLIGHT

### COLOR SELECT (CCT) ADJUSTMENT

This fixture is equipped with field-adjustable Keystone Color Select technology.

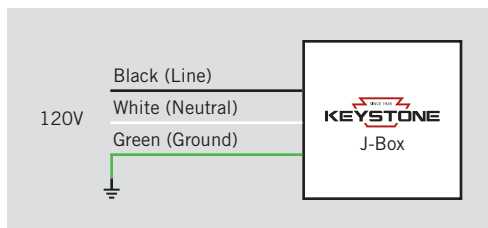
1. Ensure power is off to the fixture.
2. Adjust dip switch to desired setting.



### COLOR SELECT ADJUSTMENT SWITCH

Set dip switch to adjust CCT between 2700K, 3000K, 3500K, 4000K, and 5000K. Fixture comes preset at 3000K.

### WIRING DIAGRAM



## KT-RDLED23-8B-9CSF-FDIM

### 8" LED RECESSED DOWNLIGHT

#### INSTALLATION INSTRUCTIONS

##### RETROFIT INSTALLATION

- 1. Shut off power at the source of the fixture housing into which you are installing fixture.**

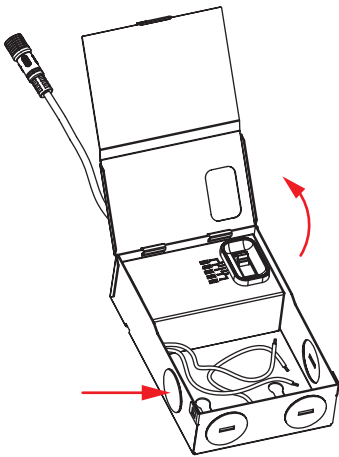
Remove existing trim, CFL or incandescent bulb.

*Note:* Follow all federal and local regulations when disposing of lamps and removed components.

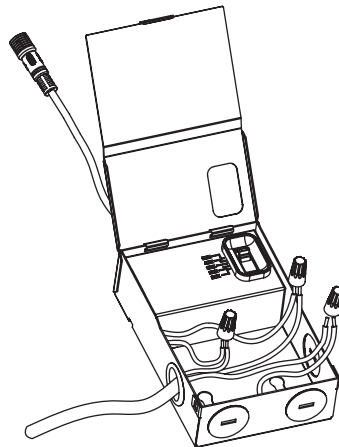
- 2. Measure ceiling opening to ensure that the edge of the luminaire will cover the entire opening and still sit firmly in the ceiling (see *Dimensions* on page 2).**

- 3. Select desired CCT using adjustment switch on fixture (see *Color Select (CCT) Adjustment* on page 3).**

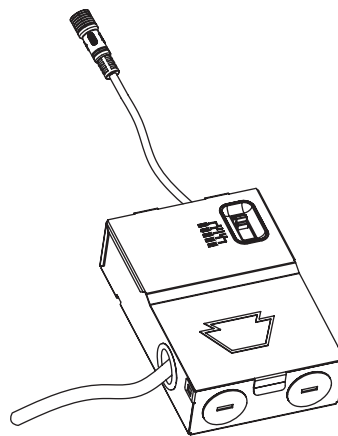
- 4. Open the driver box and remove the knockout(s) (KO).**



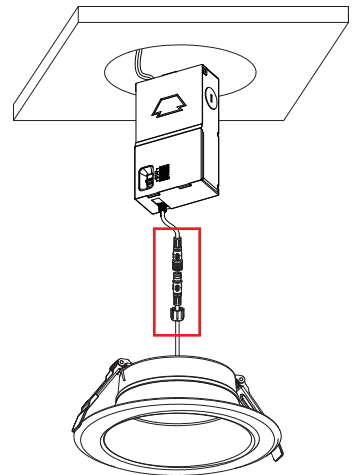
- 5. Insert the electrical supply cable through the KO; use appropriate bushing to prevent wire abrasion. Wire driver box (see *Wiring Diagram* on page 3 and illustration below).\***



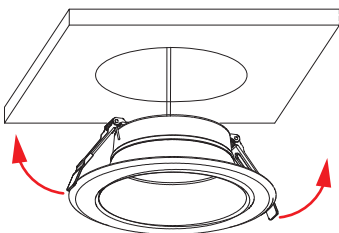
- 6. Place all wiring and connections back into the box and close the cover.**



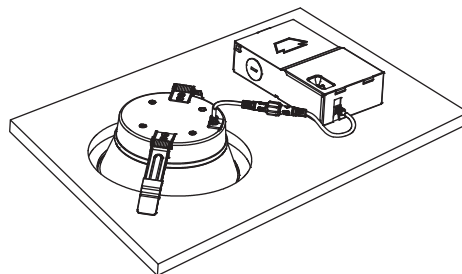
- 7. Insert driver box into ceiling in accordance with local/national codes and connect the male and female connectors. Screw threaded nut over connectors to secure.**



- 8. Lifting both retention tabs upward, push the fixture into the hole until trim sits flush with ceiling.**



- 9. Restore power when ready.**



\* Keystone offers an optional cable accessory to assist with wiring to existing fixture J-box. See KT-MC-NP-1-18/3, Optional Accessories (sold separately) on page 6.

(Installation Instructions continued on next page)

## KT-RDLED23-8B-9CSF-FDIM 8" LED RECESSED DOWNLIGHT

### INSTALLATION INSTRUCTIONS (continued)

#### NEW-CONSTRUCTION INSTALLATION\*

**1. Shut off power at the source of the fixture housing into which you are installing fixture.**

**2. Using installation hole template, create ceiling opening to ensure that the edge of the luminaire will cover the entire opening and still sit firmly in the ceiling (see *Dimensions* on page 2).**

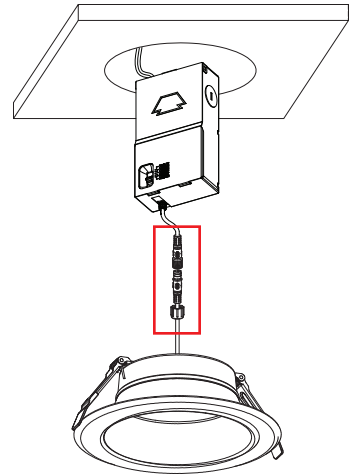
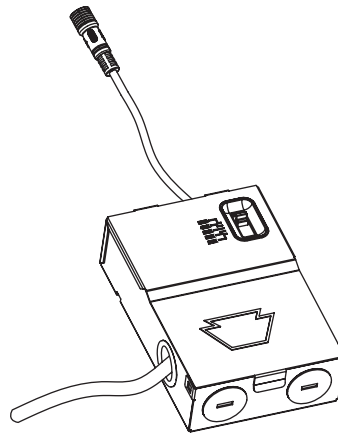
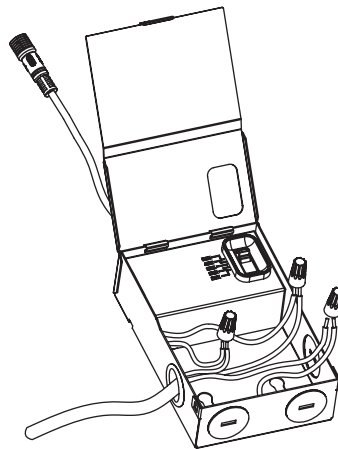
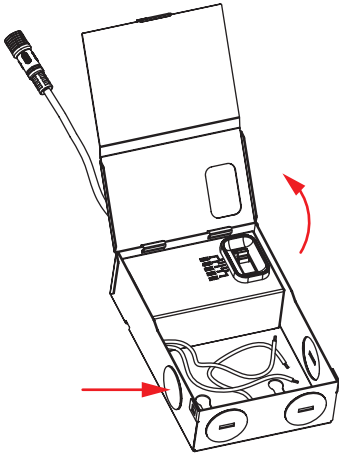
**3. Select desired CCT using adjustment switch on fixture (see *Color Select (CCT) Adjustment* on page 3).**

**4. Open the driver box and remove the knockout(s) (KO).**

**5. Insert the electrical supply cable through the KO; use appropriate bushing to prevent wire abrasion. Wire driver box (see *Wiring Diagram* on page 3 and illustration below).\***

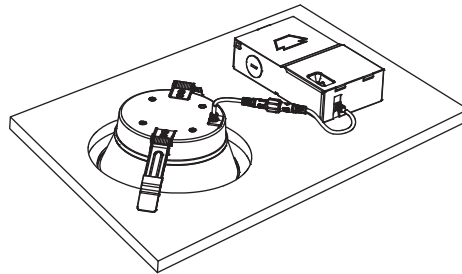
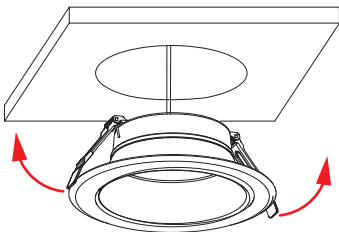
**6. Place all wiring and connections back into the box and close the cover.**

**7. Insert driver box into ceiling in accordance with local/national codes and connect the male and female connectors. Screw threaded nut over connectors to secure.**



**8. Lifting both retention tabs upward, push the fixture into the hole until trim sits flush with ceiling.**

**9. Restore power when ready.**



\* Keystone offers an optional cable accessory to assist with wiring to existing fixture J-box. See KT-MC-NP-1-18/3, Optional Accessories (sold separately) on page 6.

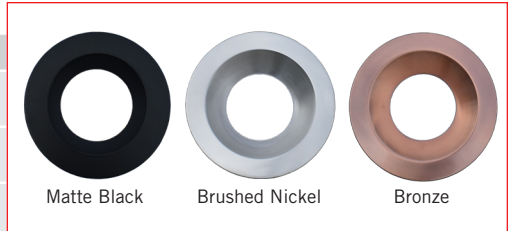
# KT-RDLED23-8B-9CSF-FDIM

## 8" LED RECESSED DOWNLIGHT

### OPTIONAL ACCESSORIES (sold separately)

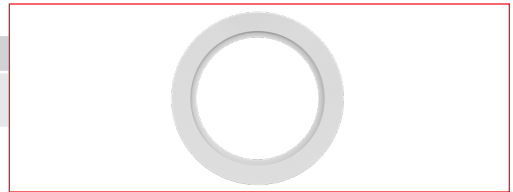
#### INTERCHANGEABLE TRIM

Catalog Number	Description	UPC	Easy Code
KT-RDLED-8B-MB-TRIM	8" Interchangeable Trim for 8B LED Recessed Downlight; Matte Black	843654139531	TX0-92
KT-RDLED-8B-BN-TRIM	8" Interchangeable Trim for 8B LED Recessed Downlight; Brushed Nickel	843654139579	COD-09
KT-RDLED-8B-BR-TRIM	8" Interchangeable Trim for 8B LED Recessed Downlight; Bronze	843654139616	UFI-14



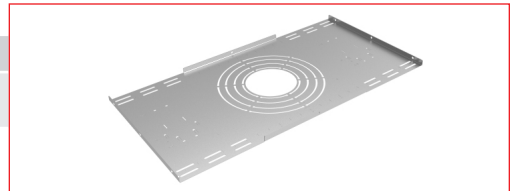
#### GOOF RING

Catalog Number	Description	UPC	Easy Code
KT-RDLED-8B-GOOF	8" Goof Ring for 8B Recessed Downlights; 10" outer diameter	843654139708	IWZ-64



#### NEW-CONSTRUCTION PLATE

Catalog Number	Description	UPC	Easy Code
KT-RDLED-PLATE-1	New-construction plate for LED Recessed Downlights	843654137285	BMS-81



#### EXTENSION CABLES

Catalog Number	Description	UPC	Easy Code
KT-WDLED-EC-6	6' Extension Cord for LED Wafer Downlights	843654139739	GOK-14
KT-WDLED-EC-12	12' Extension Cord for LED Wafer Downlights	843654139746	ECE-88
KT-WDLED-EC-20	20' Extension Cord for LED Wafer Downlights	843654139753	JLM-06



#### METAL-CLAD CABLE

Catalog Number	Description	UPC	Easy Code
KT-MC-NP-1-18/3	Metal-Clad Cable for LED Recessed Downlights; No plug; UL 16AWG 18/3 wire (live, neutral, ground)	843654139777	AYT-71





# KT-RDLED23-8B-9CSF-FDIM

## 8" LED RECESSED DOWNLIGHT

### ORDERING INFORMATION

Catalog Number	Pack Qty.	UPC	Easy Code
KT-RDLED23-8B-9CSF-FDIM	1	843654139166	YMO-75

### CATALOG NUMBER BREAKDOWN

# KT-RDLED23-8B-9CSF-FDIM

1 2 3 4 5 6 7 8 9 10

- 1 Keystone Technologies
- 2 Fixture Type
  - RD Recessed Downlight
- 3 LED Technology
- 4 Maximum Wattage
- 5 Size
  - 8 8" Nominal
- 6 Style/Design Designation
  - B Series B
- 7 CRI
  - 9 90
- 8 Color Select Technology
- 9 Color Select Designation
  - F 2700K, 3000K, 3500K, 4000K, 5000K
- 10 Dimming
  - FDIM Phase Dimming