

# KT-RDLED18PS-6A-9CSE-VDIM

## 6" RECESSED DOWNLIGHT

### DESCRIPTION

6" Recessed Downlight | Power Select Technology | Color Select Technology | Internal Driver and Integral Whip

### APPLICATION

Ideal for hospitality, retail, office, and other retrofit and new construction applications



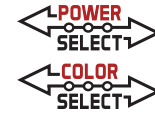
### PRODUCT FEATURES

- Keystone Power Select and Color Select technologies offer SKU reduction and allow for easy, on-the-job adjustments
- Designed with integral whip to connect directly to a junction box; Ideal for installation into existing CFL pin-based fixture infrastructure
- Integral driver eliminates the need for a traditional multi-piece fixture setup
- Ideal for new construction, remodel, and retrofit applications
- Smooth reflector trim offers clean, modern appearance
- Diffused lens reduces glare
- Interchangeable trims available in matte black, brushed nickel, and bronze
- Powered by Keystone 0–10V dimming LED driver; 10–100% dimming
- Ambient operating temperature: –20°C/–4°F to 40°C/104°F
- Suitable for use in wet locations
- Airtight and Type IC-rated
- Power factor: >0.90
- THD: <20%
- LED chip lifetime: L70 >80,000 hrs @ 25°C/77°F ambient fixture temp
- FCC Part 15, Subpart B, Class B
- CEC Compliant Flicker Rate (CEC JA10 std.)

### PERFORMANCE SPECIFICATIONS

Catalog Number	Input Voltage	Wattage (Selectable)	CCT (Selectable)*	Lumen Output	Efficacy	CRI	Power Factor	Lifetime
KT-RDLED18PS-6A-9CSE-VDIM	120–277V	18.5W	3000K	1450	78 lm/W	>90	>0.9	50,000 hrs
			3500K	1550	84 lm/W			
			4000K	1500	81 lm/W			
		13W	3000K	1000	77 lm/W			
			3500K	1100	85 lm/W			
			4000K	1050	81 lm/W			
		9W	3000K	700	78 lm/W			
			3500K	750	83 lm/W			
			4000K	725	81 lm/W			

\* Preset to highest CCT: 4000K  
Color Uniformity: CCT (Correlated Color Temperature) range as per guidelines outlined in ANSI C78.377-2017

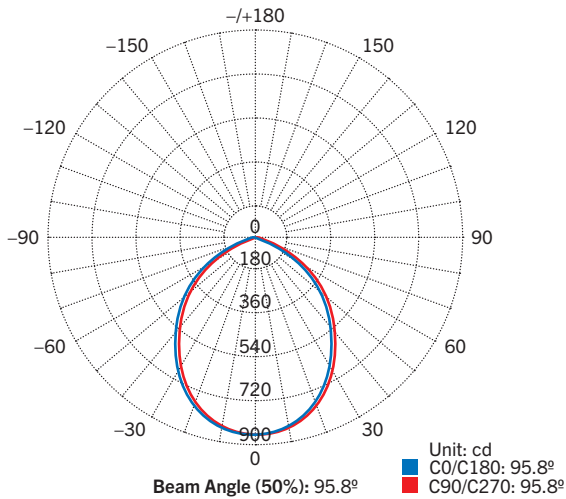


# KT-RDLED18PS-6A-9CSE-VDIM

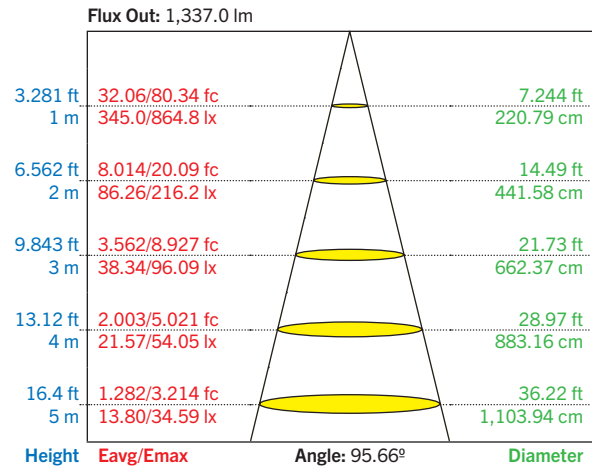
## 6" RECESSED DOWNLIGHT

### PHOTOMETRIC SPECIFICATIONS\*

#### POLAR CANDELA DISTRIBUTION



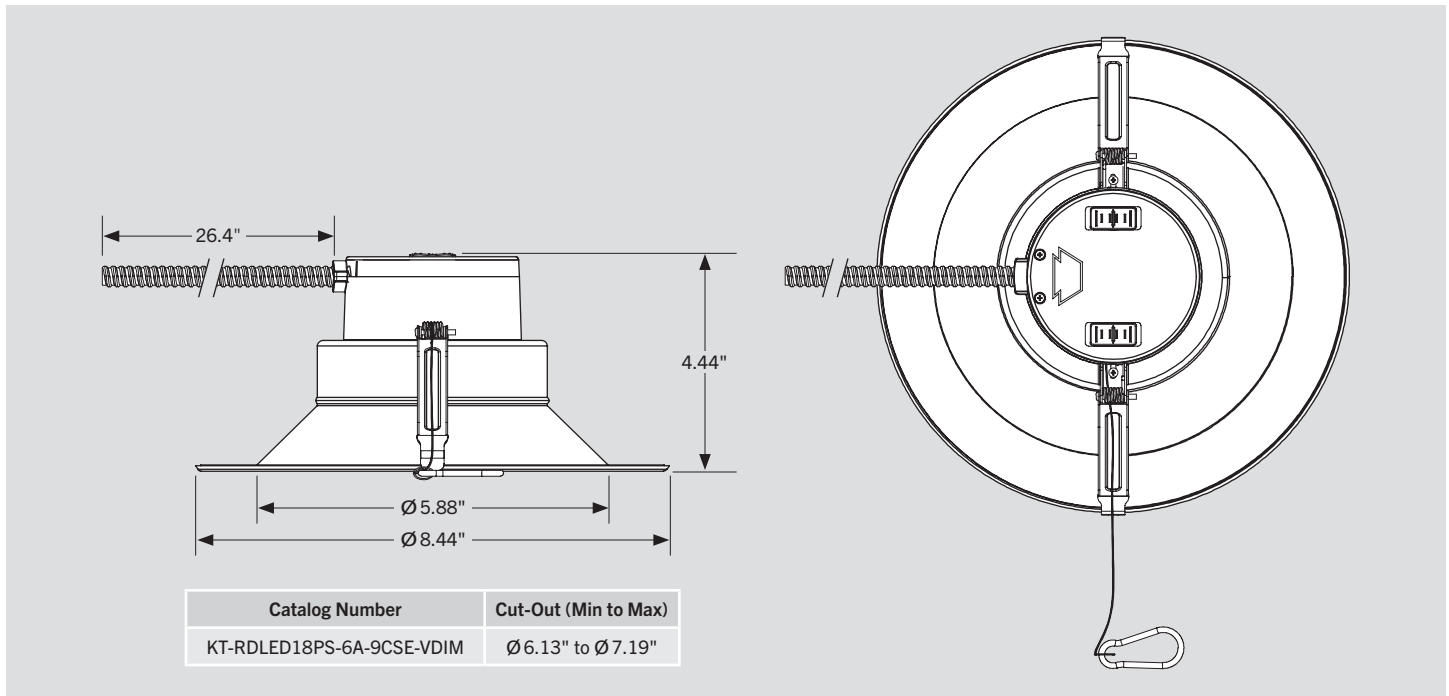
#### LUX DISTANCE CURVE

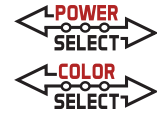


Curves show illuminated area and average illumination when lamp is at various distances.

\* Tested at 18.5W and 3000K

### PHYSICAL SPECIFICATIONS





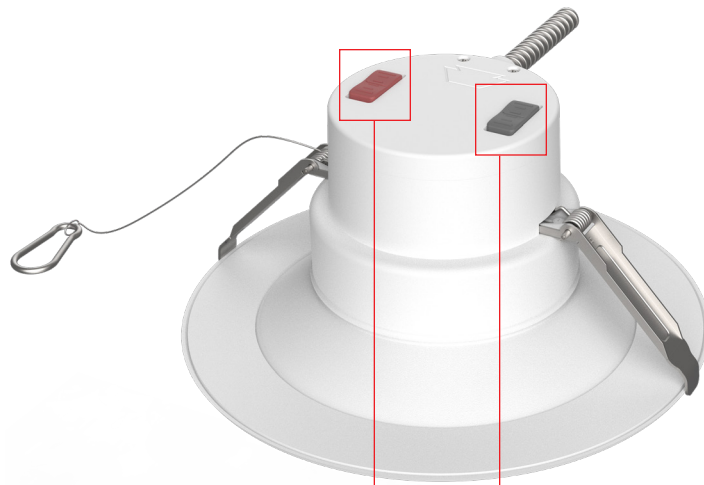
# KT-RDLED18PS-6A-9CSE-VDIM

## 6" RECESSED DOWNLIGHT

### POWER SELECT (WATTAGE) AND COLOR SELECT (CCT) ADJUSTMENT

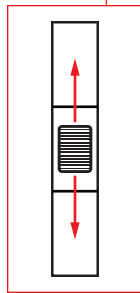
This fixture is equipped with field-adjustable Keystone Power Select and Color Select technology.

1. Ensure power is off to the fixture.
2. Adjust dip switches to desired settings.



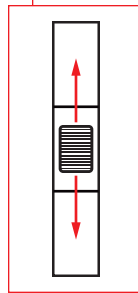
#### COLOR SELECT ADJUSTMENT SWITCH

Set dip switch to adjust CCT between 3000K, 3500K, and 4000K. Fixture comes preset at 4000K.

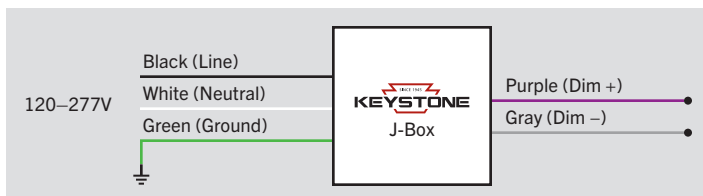


#### POWER SELECT ADJUSTMENT SWITCH

Set dip switch to adjust wattage between 9W, 13W, and 18.5W. Fixture comes preset at 18.5W.



### WIRING DIAGRAM





# ADVANTA



## KT-RDLED18PS-6A-9CSE-VDIM 6" RECESSED DOWNLIGHT

### INSTALLATION INSTRUCTIONS

#### RETROFIT INSTALLATION

- 1. Shut off power at the source of the fixture housing into which you are installing fixture.**

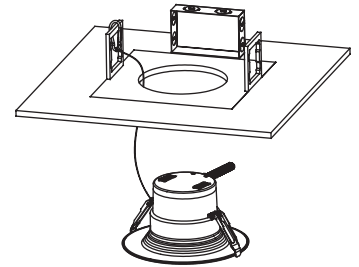
Remove existing trim and CFL or incandescent bulb.

**Note:** Follow all federal and local regulations when disposing of lamps and removed components.

- 2. Measure ceiling opening to ensure that the edge of the luminaire will cover the entire opening and still sit firmly in the ceiling (see *Physical Specifications* on page 2).**

- 3. Select desired Wattage and CCT using adjustment switches on fixture (see *Power Select (Wattage) and Color Select (CCT) Adjustment* on page 3).**

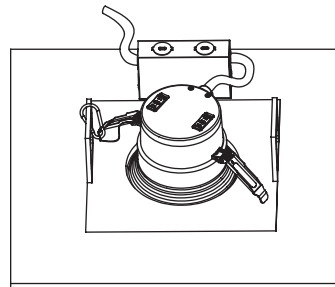
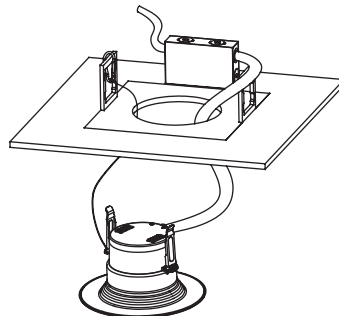
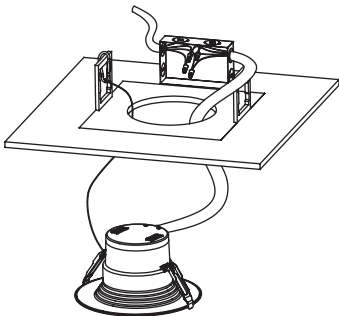
- 4. Attach carabiner safety clip to the existing fixture housing.**



- 5. Insert lamp conduit into J-box and wire to power source (see *Wiring Diagram* on page 3). Reattach J-box cover when done.**

- 6. Squeeze the two housing clips so they are in an upright position and then insert lamp into housing.**

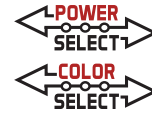
- 7. Once lamp is inside housing, release housing clips and continue to push lamp into housing until securely fixed and flush with ceiling. Restore power.**



(Installation Instructions continued on next page)



# ADVANTA

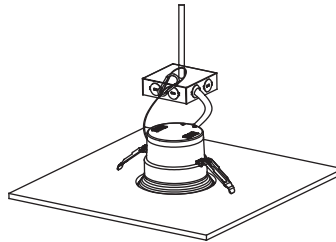
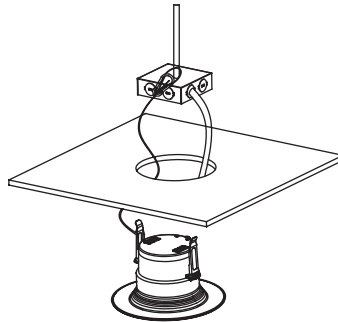
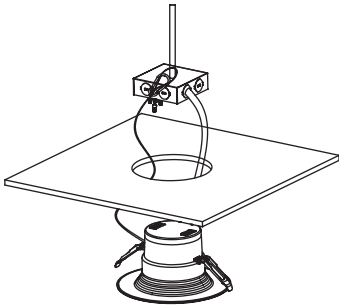
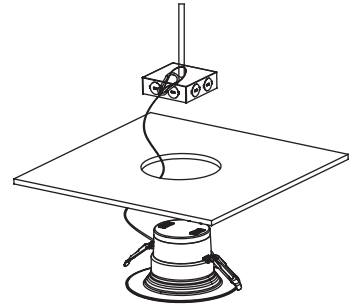


## KT-RDLED18PS-6A-9CSE-VDIM 6" RECESSED DOWNLIGHT

### INSTALLATION INSTRUCTIONS (continued)

#### NEW-CONSTRUCTION INSTALLATION\*

- 1. Shut off power at the source of the fixture housing into which you are installing fixture.**
- 2. Create ceiling opening to ensure that the edge of the luminaire will cover the entire opening and still sit firmly in the ceiling (see *Physical Specifications* on page 2).**
- 3. Select desired Wattage and CCT using adjustment switches on fixture (see *Power Select (Wattage) and Color Select (CCT) Adjustment* on page 3).**
- 4. Attach carabiner safety clip to secure location in ceiling.**
- 5. Insert lamp conduit into J-box and wire to power source (see *Wiring Diagram* on page 3). Reattach J-box cover when done.**
- 6. Squeeze the two housing clips so they are in an upright position and then insert lamp into opening.**
- 7. Once lamp is inside opening, release housing clips and continue to push lamp into opening until securely fixed and flush with ceiling. Restore power.**



\* Keystone offers optional New Construction Plate (KT-RDLED-PLATE-1) for both new joist and T-grid installations. See Optional Accessories (sold separately) on page 6.



# ADVANTA



## KT-RDLED18PS-6A-9CSE-VDIM 6" RECESSED DOWNLIGHT

### OPTIONAL ACCESSORIES (sold separately)

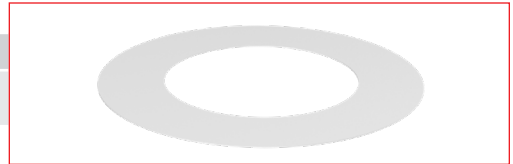
#### INTERCHANGEABLE TRIM

Catalog Number	Description	UPC	Easy Code
KT-RDLED-6A-MB-TRIM	6" Interchangeable trim for 6" recessed downlights; Matte black	843654137155	TCP-85
KT-RDLED-6A-BN-TRIM	6" Interchangeable trim for 6" recessed downlights; Brushed nickel	843654137186	CZZ-70
KT-RDLED-6A-BR-TRIM	6" Interchangeable trim for 6" recessed downlights; Bronze	843654137216	CUN-05



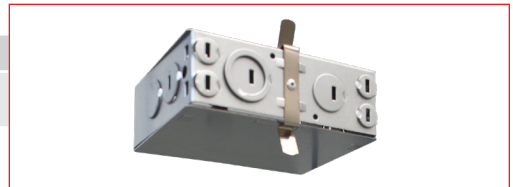
#### GOOF RING

Catalog Number	Description	UPC	Easy Code
KT-RDLED-6A-GOOF	6" Goof ring for 6" recessed downlights; 10.51" outer diameter	843654137247	LFJ-16



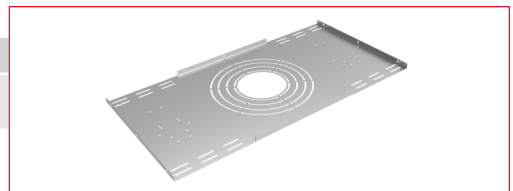
#### JUNCTION BOX

Catalog Number	Description	UPC	Easy Code
KT-RDLED-JBOX-1-KIT	Junction box for recessed downlights	843654137278	HJA-70



#### NEW-CONSTRUCTION PLATE

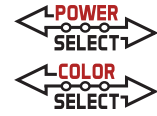
Catalog Number	Description	UPC	Easy Code
KT-RDLED-PLATE-1	New-construction plate for recessed downlights	843654137285	BMS-81



#### EMERGENCY PACK

Catalog Number	Description	UPC	Easy Code
KT-EMRG-LED-12-1200-AC/DF	LED Emergency Backup, 12W - 1200 Lumen Constant Power Design. 120-277V Input. Dual Flex Cable Design. Installs on Primary Side of AC Powered LED load.	843654139890	MPM-43





# KT-RDLED18PS-6A-9CSE-VDIM

## 6" RECESSED DOWNLIGHT

### ORDERING INFORMATION

Catalog Number	Pack Qty.	UPC	Easy Code
KT-RDLED18PS-6A-9CSE-VDIM	1	843654137117	EIK-33

### CATALOG NUMBER BREAKDOWN

# KT-RDLED18PS-6A-9CSE-VDIM

1 2 3 4 5 6 7 8 9 10 11

- 1 Keystone Technologies
- 2 Fixture Type
 

RD	Recessed Downlight
----	--------------------
- 3 LED Technology
- 4 Maximum Wattage
- 5 Power Select Technology
- 6 Size
 

6	6" Nominal
---	------------
- 7 Style/Design Designation
 

A	Series A
---	----------
- 8 CRI
 

9	90
---	----
- 9 Color Select Technology
- 10 Color Select Designation
 

E	3000K, 3500K, 4000K
---	---------------------
- 11 Dimming
 

VDIM	0-10V Dimming
------	---------------