



XFIT

KT-CLED40-S1-850-VDIM

LED CANOPY LIGHT FIXTURE

DESCRIPTION

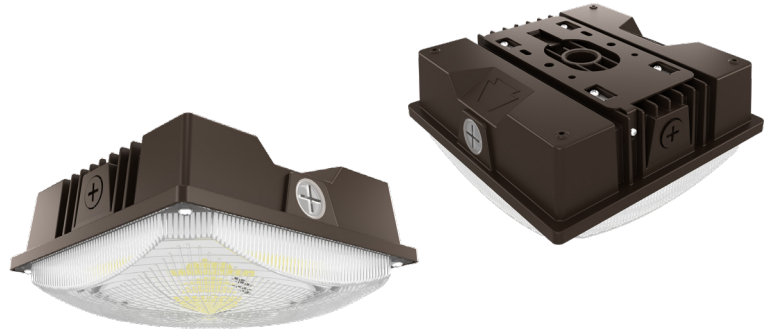
General Purpose 40W LED Canopy Light | 120–277V Input | Bronze Housing

APPLICATION

Ceiling mounted outdoor illumination needs, such as parking garages, covered walkways, entrance areas, etc.



5 YEAR
WARRANTY



PRODUCT FEATURES

- Familiar, low profile design ideal for a wide range of new and replacement installations
- Heavy duty die cast aluminum housing with a modern aesthetic and (3) 1/2" NPT threaded conduit hubs
- Suitable for standard junction box mounting or 3/4" NPT pendant mounting
- Impact resistant, polycarbonate diffuser with 160° parking garage distribution. Perfect for low mounting applications
- Optional 110° canopy distribution diffuser available. Perfect for high mounting applications
- Powered by Keystone LED 0–10V dimming driver
- Ambient operating temperature: –40°C/–40°F to 50°C/122°F
- UL certified for wet locations, IP65 rated
- Power Factor: > 0.95
- THD: < 20%
- L70 @ >100,000 hrs @ 25°C/77°F ambient fixture temperature
- Meets FCC Part 15, Part B, Class A standards for conducted and radiated emissions

PERFORMANCE SPECIFICATIONS

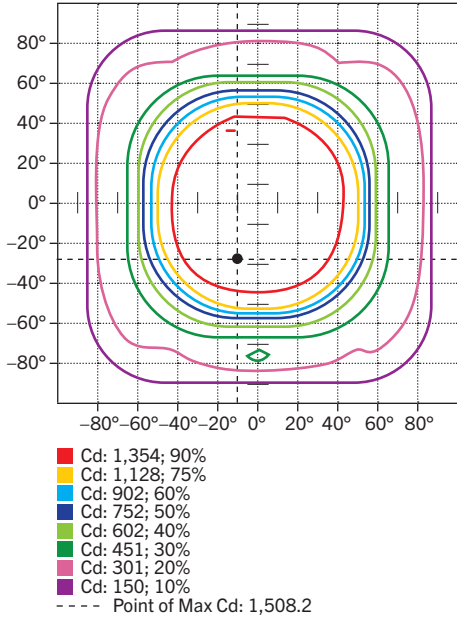
Catalog Number	Wattage	CCT	Lumens	Efficacy	Input Voltage	Dimming	CRI	Distribution Pattern	Photocell Included	Nominal Size	Housing Color	Legacy Equivalent
KT-CLED40-S1-850-VDIM	40W	5000K	5600	125 lm/W	120–277V	0–10V	>80	160°	No	8" square	Bronze	175W MH

Note: Color uniformity: CCT (Correlated Color Temperature) range as per guidelines outlined in ANSI C78.377-2017

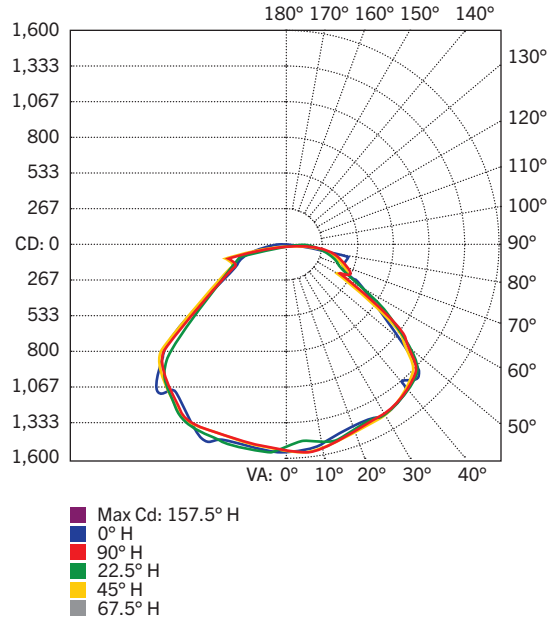
KT-CLED40-S1-850-VDIM
LED CANOPY LIGHT FIXTURE

PHOTOMETRIC SPECIFICATIONS

ISOCANDELA PLOT



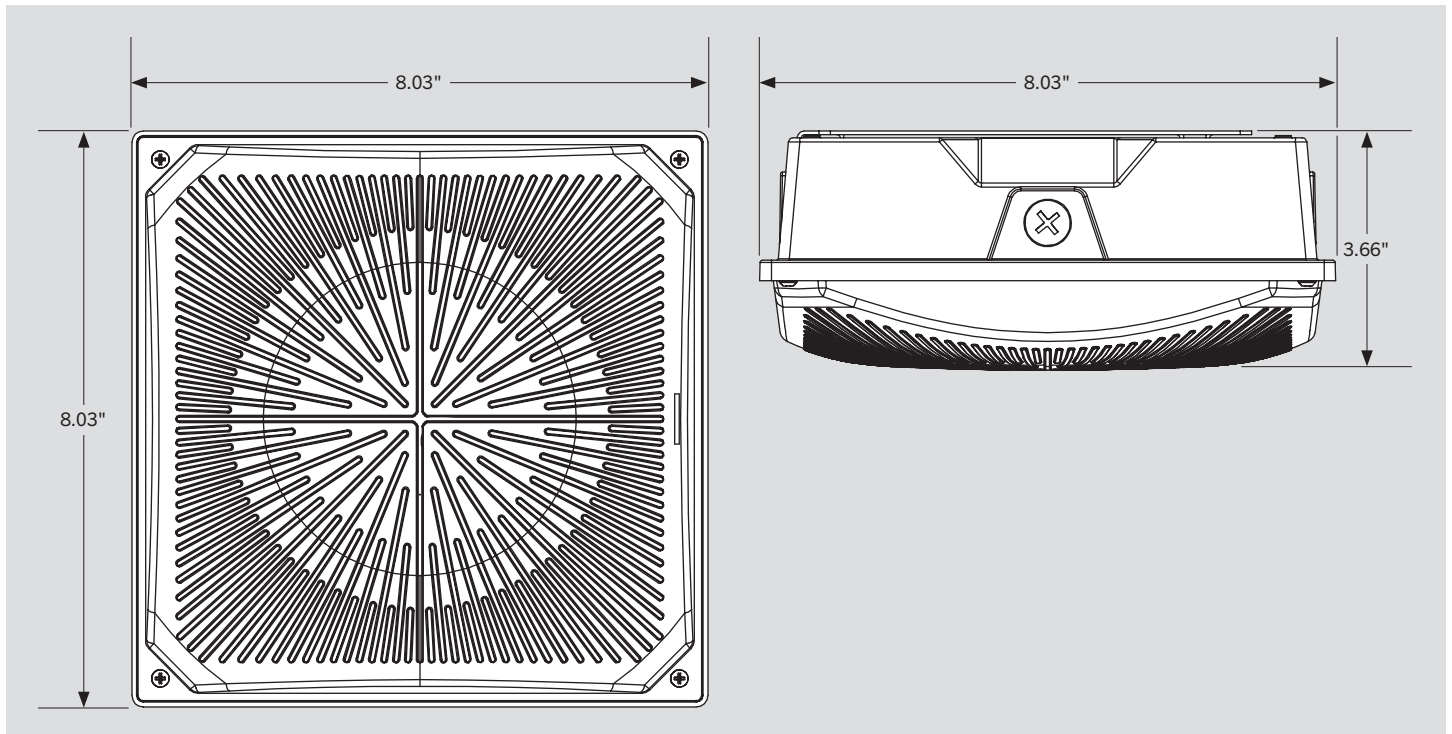
POLAR CANDELA DISTRIBUTION



ZONAL LUMEN SUMMARY

Zone	Lumens	% Luminaire
0-30	1,242.9	23.4%
0-40	2,140.9	40.4%
0-60	3,979.2	75.0%
60-90	1,127.9	21.3%
70-100	697.1	13.1%
90-120	151.1	2.9%
0-90	5,107.0	96.3%
90-180	195.4	3.7%
0-180	5,302.4	100%

DIMENSIONS

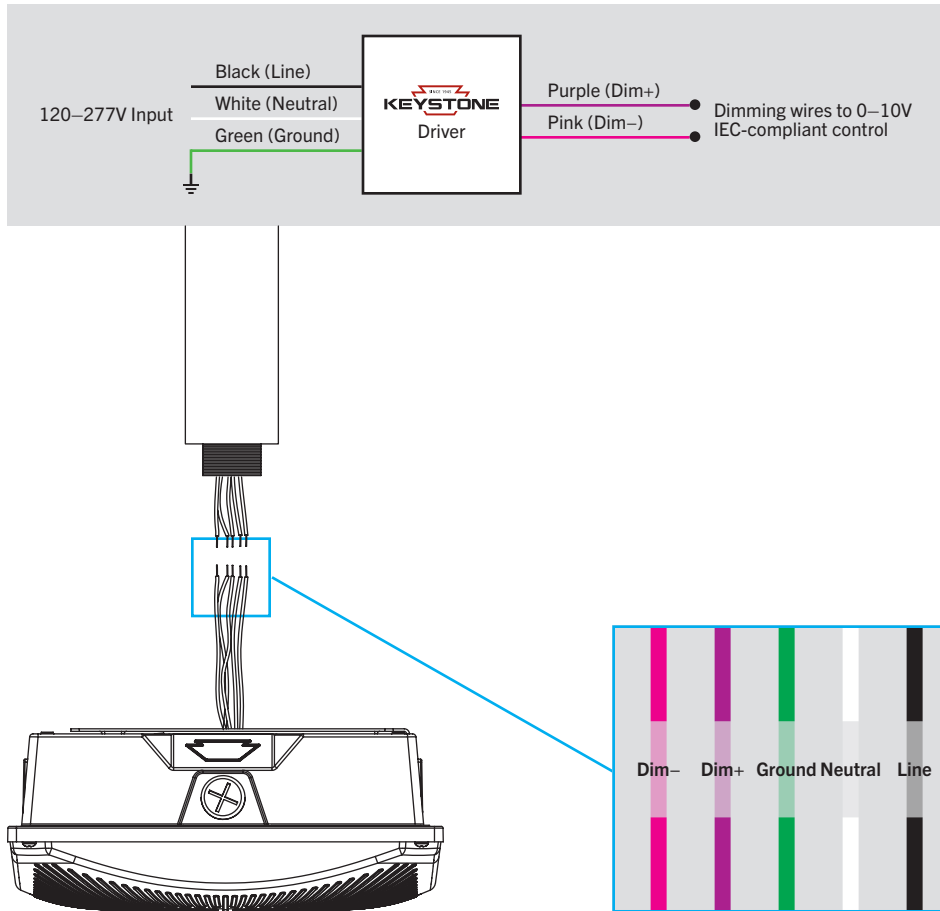




KT-CLED40-S1-850-VDIM

LED CANOPY LIGHT FIXTURE

WIRING DIAGRAMS





KT-CLED40-S1-850-VDIM

LED CANOPY LIGHT FIXTURE

ACCESSORIES

LENSES

Factory-Installable OR Field-Installable (field-installable purchased separately)

✓	SUFFIX*	CATALOG NUMBER	DESCRIPTION	UPC	EASY CODE
	/L110	KT-CLED-LENS-S1-110-KIT	110° beam angle lens for 8" square canopy	843654152011	GNA-34



110° Beam Angle Lens
KT-CLED-LENS-S1-110-KIT



MOUNTS AND BRACKETS

Field-Installable / Field-Use ONLY (purchased separately)

CATALOG NUMBER	DESCRIPTION	UPC	EASY CODE
KT-CLED-BP-15	15" mounting back plate for canopy fixture; Bronze	843654152028	FHA-85



15" Mounting Back Plate
KT-CLED-BP-15

* For factory installation of accessory, add suffix to fixture part number (see ordering examples and instructions on last page of spec sheet).



KT-CLED40-S1-850-VDIM

LED CANOPY LIGHT FIXTURE

FIXTURE ORDERING INFORMATION

ORDER CODE	PACK QTY.	UPC	Easy Code
KT-CLED40-S1-850-VDIM	1	843654151991	IVI-04

FIXTURE CATALOG NUMBER BREAKDOWN

KT-CLED40-S1-850-VDIM

1	2	3	4	5	6	7	8	9
1 Keystone Technologies	2 Canopy Light Fixture	3 LED Technology	4 Wattage	5 Small Size	6 Series 1	7 80 CRI	8 CCT	9 0–10V Dimming

ORDERING EXAMPLES

FIXTURE WITH SINGLE FACTORY-INSTALLED ACCESSORY

KT-CLED40-S1-850-VDIM/ ██████

FIXTURE WITH NO FACTORY-INSTALLED ACCESSORIES

KT-CLED40-S1-850-VDIM

KEYSTONE FIXTURE

CATALOG NUMBER

KT-CLED40-S1-850-VDIM

LENSES

<input checked="" type="checkbox"/>	SUFFIX	CATALOG NUMBER
<input checked="" type="checkbox"/>	/L110	KT-CLED-LENS-S1-110-KIT