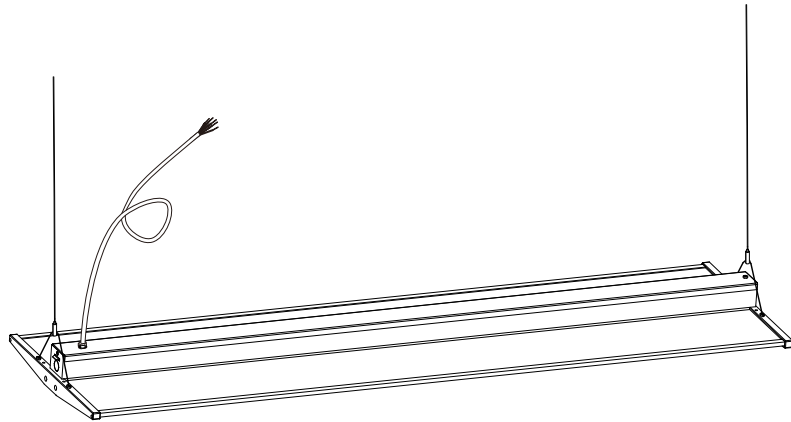




RISK OF FIRE AND ELECTRICAL SHOCK. FIXTURE MUST BE INSTALLED BY A QUALIFIED ELECTRICIAN ONLY IN ACCORDANCE WITH NATIONAL, LOCAL BUILDING AND ELECTRICAL CODES. DISCONNECT POWER AT ELECTRICAL PANEL BEFORE SERVICING.



IMPORTANT

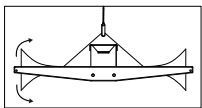
1. Read all instructions.
2. Install in accordance with national and local electrical code regulations.
3. This product is intended to be installed and serviced by a qualified, licensed electrician.
4. Do not install in wet locations. For dry and damp use only.
5. Turn off electrical power before installing or servicing fixture in any way.
6. To reduce the risk of fire and overheating, make sure all connections are tight.
7. Under no circumstances can the lighting fixture be covered with heat insulation gasket or similar materials.
8. Seamless continue runs per power feed: Up to 10pcs in 120V AC, 20pcs in 277V AC and 347V AC.

ATTENTION



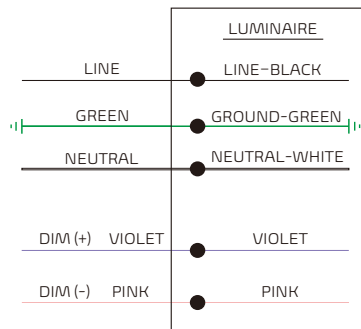
SHOCK HAZARD!

May result in serious injury or death. Turn power OFF at circuit breaker prior to installation or servicing.



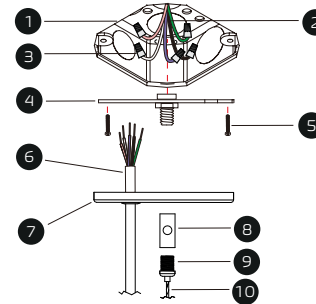
Once final building cleanup has been completed, remove remaining lens protective film.

WIRING

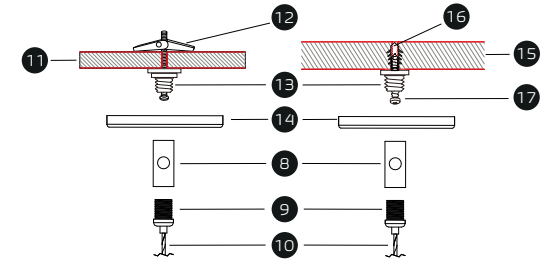


Installation In Dry Ceiling

► **POWER FEED**

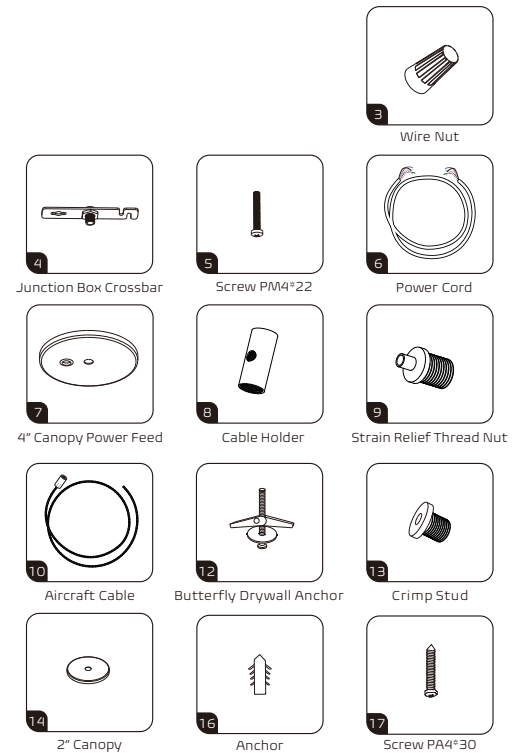


► **NON POWER SUSPENSION**



► **PARTS LIST**

- 1 4" Octagon Junction Box (By Others)
- 2 Power Cord (By Others)
- 3 Wire Nut
- 4 Junction Box Crossbar
- 5 Screw PM4*22
- 6 Power Cord
- 7 4" Power Canopy Kit
- 8 Cable Holder
- 9 Strain Relief Thread Nut
- 10 Aircraft Cable
- 11 Drywall Ceiling (By Others)
- 12 Butterfly Drywall Anchor
- 13 Crimp Stud
- 14 2" Canopy
- 15 Solid Ceiling (By Others)
- 16 Anchor
- 17 Screw PA4*30

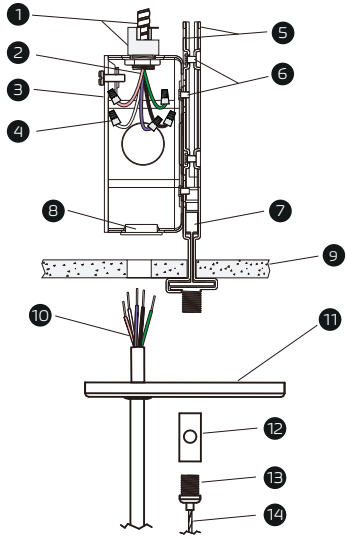




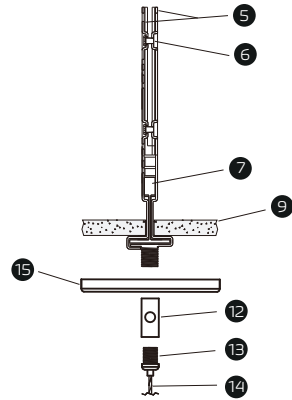
RISK OF FIRE AND ELECTRICAL SHOCK. FIXTURE MUST BE INSTALLED BY A QUALIFIED ELECTRICIAN ONLY IN ACCORDANCE WITH NATIONAL, LOCAL BUILDING AND ELECTRICAL CODES. DISCONNECT POWER AT ELECTRICAL PANEL BEFORE SERVICING.

Installation in Drop ceiling

► POWER FEED

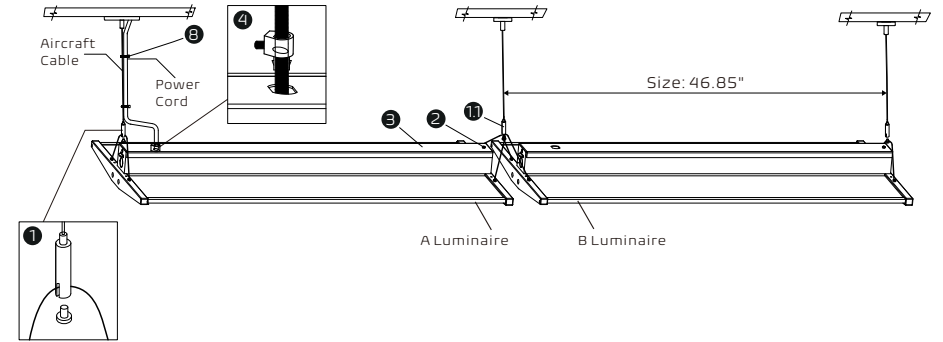
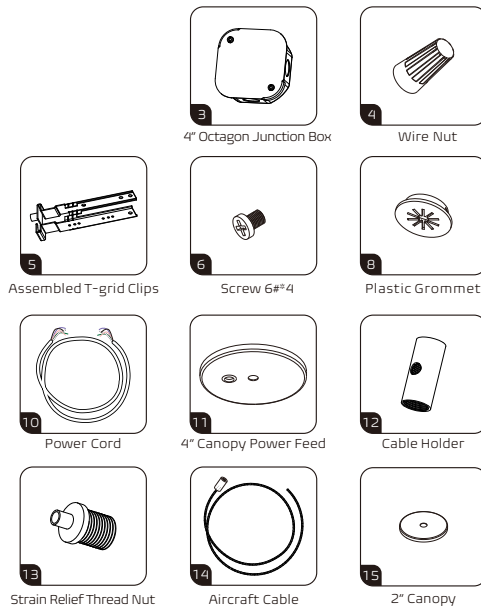


► NON POWER SUSPENSION



► PARTS LIST

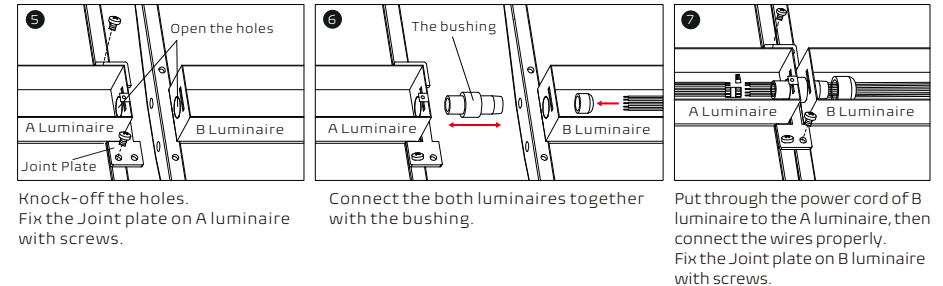
- 1 Armored Cable & Connector (By Others)
- 2 Power Cord (By Others)
- 3 4" Octagon Junction Box
- 4 Wire Nut
- 5 Assembled T-grid Clips
- 6 Screw 6#*4
- 7 T-grid (By Others)
- 8 Plastic Grommet
- 9 Ceiling Tile (By Others)
- 10 Power Cord
- 11 4" Canopy Power Feed
- 12 Cable Holder
- 13 Strain Relief Thread Nut
- 14 Aircraft Cable
- 15 2" Canopy



Installation Step

1. Fix the aircraft cable to the luminaire with screws provided 1. If joining, fix the aircraft cable to both luminaires with screw as shown 11.
2. Open the driver box 2 3. Put through the power cord to the driver box cover and fix 4.
3. Wiring.

If Joining:



Knock-off the holes. Fix the Joint plate on A luminaire with screws.

Connect the both luminaires together with the bushing.

Put through the power cord of B luminaire to the A luminaire, then connect the wires properly. Fix the Joint plate on B luminaire with screws.

4. Adjust the height of luminaire. Zip tight power cord & aircraft cable with the cable tie 6. Close the driver box.



Adjust the height of luminaire. Luminaire can be raised by pulling cable through the gripper and can be lowered by depressing the top cylinder on the gripper which pulls the luminaire down.