

Installation Instructions

LED Vapor Tight Luminaire Installation Instructions

⚠ WARNING

- To reduce the risk of death, personal injury or property damage from fire, electric shock, falling parts, cuts/abrasions, and other hazards, read all warnings and instructions included with this product and all product labels.
- Before installing, servicing, or performing routine maintenance upon this equipment, follow these general precautions.
- Commercial installation, service and maintenance of luminaires should be performed by a qualified, licensed electrician.
- If you are unsure about the installation or maintenance of this luminaire, consult a qualified, licensed electrician, and check your local electrical code.
- To prevent wiring damage or abrasion, do not expose wiring to edges of sheet metal or other sharp objects.
- Do not make or alter any open holes in an enclosure of wiring or electrical components during installation.

⚠ WARNING

- Turn off electrical power at the fuse or circuit breaker box before wiring the luminaire to the power supply.
- Turn off the power before performing any maintenance.
- Verify that supply voltage is correct by comparing it with the luminaire label information.
- All wiring connections should be capped with UL approved wire connectors.

⚠ CAUTION

- Avoid direct eye exposure to the light source while it is on.
- Account for small parts and destroy packing material, as these may be hazardous to children.
- To avoid the risk of burning, disconnect power and allow the luminaire to cool before handling it.

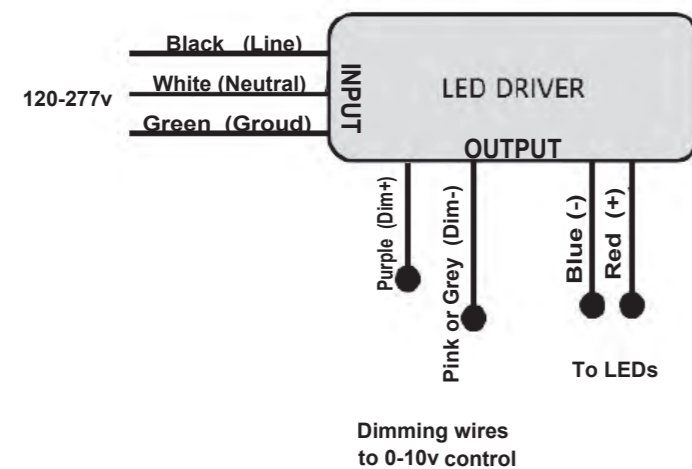
NOTICE: Green ground screw is provided in the proper location. Do not relocate the screw.

NOTICE: Use minimum 90°C supply conductors.

NOTICE: Specifications and dimensions subject to change without notice.

NOTICE: Suitable for wet locations.

General Wiring Diagram



After installing the luminaire, make wiring connections as shown in the wiring diagram.

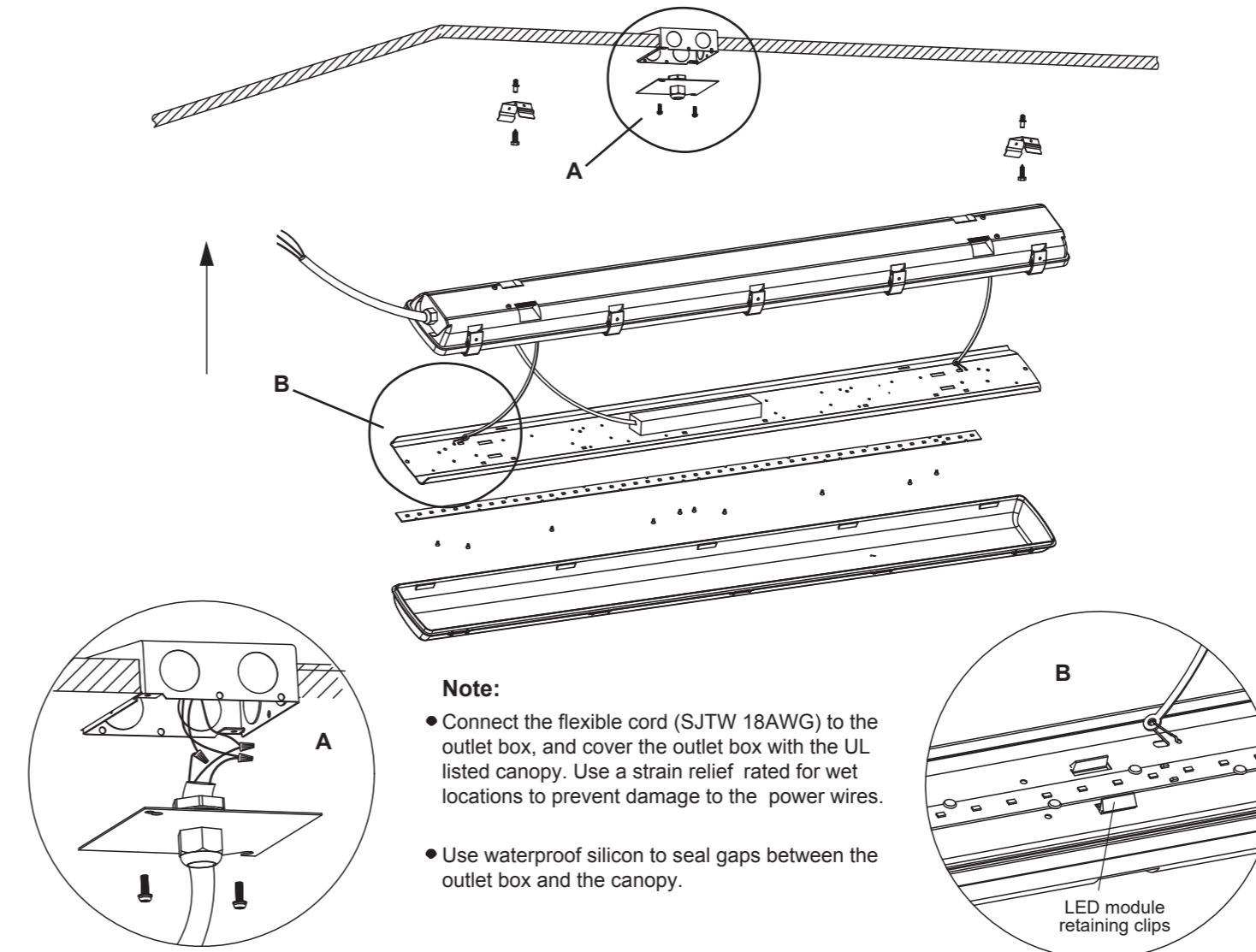
- Connect the black luminaire input power wire to the supply line (hot) wire.
- Connect the white luminaire input power wire to the supply neutral wire.
- Connect the green luminaire input power wire to a ground wire or surface.

If a dimming control is used, connect the purple (DIM+) dimming wire to the purple wire from the 0-10v dimming control, and connect the grey (DIM-) dimming wire to the grey wire from the 0-10v dimming control. If a dimming control is not used, cap the driver dimming leads with UL approved wire nuts.

This is a high-quality commercial grade product and is equipped with a 0-10V dimming driver. A 0-10V dimmer is required to use the dimming feature of this product. 0-10V dimmer come equipped with 2 wires specifically for dimming which are typically violet and gray. DO NOT use a standard (2-wire) wall dimmer with this product.

Installation Instructions

LED Vapor Tight Luminaire Installation Instructions



Note:

- Connect the flexible cord (SJTW 18AWG) to the outlet box, and cover the outlet box with the UL listed canopy. Use a strain relief rated for wet locations to prevent damage to the power wires.
- Use waterproof silicon to seal gaps between the outlet box and the canopy.

Installation Steps:

Always turn off the power supply from the main circuit breaker first!

1. Locate and drill holes for the mounting brackets. Use hardware found in hardware kit. Mount bracket to surface.
2. Release the lens attachment clips and remove the lens. Squeeze the LED module retaining clips (see Figure B, above) and remove the LED module from the luminaire housing.
3. Attach the luminaire housing to mounting brackets.
4. Make sure the plastic safety cable is securely attached to the both the luminaire housing and the LED module.
5. Connect incoming power to the driver. Use the General Wiring Diagram on page 1 for reference. Make sure the power supply is disconnected before installing.
6. Reattach the LED module to the luminaire housing by reversing step 2.
7. Reinstall the lens using the lens attachment clips.
8. Turn on electrical power at the fuse or circuit breaker box.