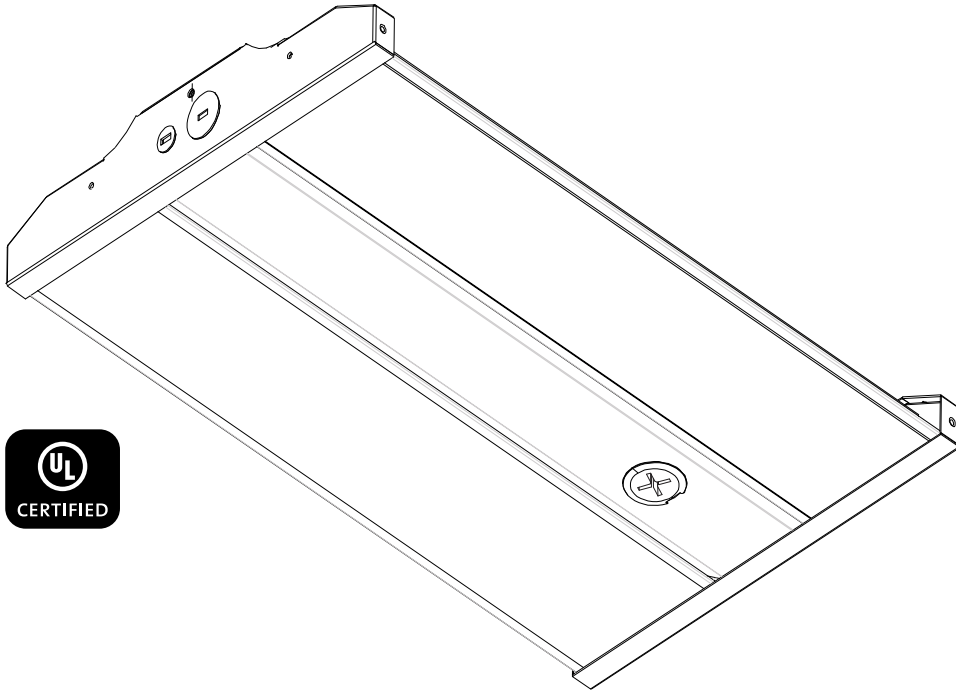


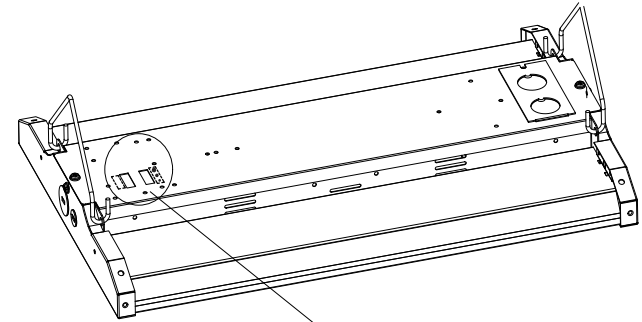
LED High Bay Luminaire



CAUTION:

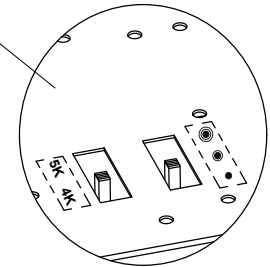
1. Read all instructions before starting installation.
2. This product must be installed in accordance with the applicable installation codes by a qualified electrician familiar with the construction and operation of the product and the hazards involved.
3. Disconnect power at circuit breaker or fuse before starting installation.
4. To avoid injury, wear gloves during installation.
5. To reduce the risk of electrical shock and product damage, do not install this luminaire during rain or other storms.
6. Do not test luminaire using an electric generator before installation.

Installation Instruction

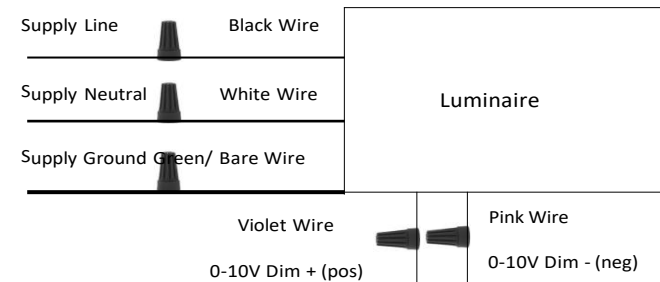


Remove switch cover and slide switches to desired lumens and CCT

Default factory setting is 4000K at highest lumens output



Wiring Diagram

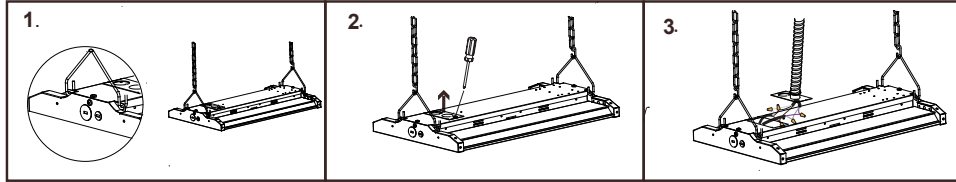


For dimming wires, use class 1 wiring methods.
Cap dimming wires (separately) if not used.

SAVE THESE INSTRUCTIONS

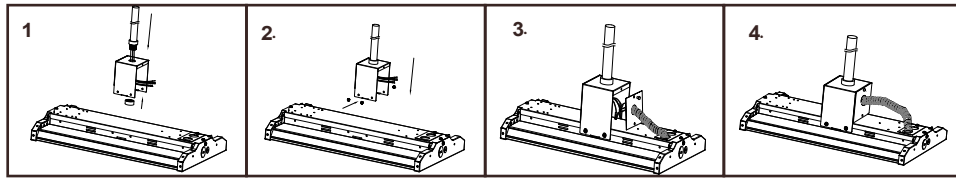
Installation Instruction

Chain and hook pendant mount



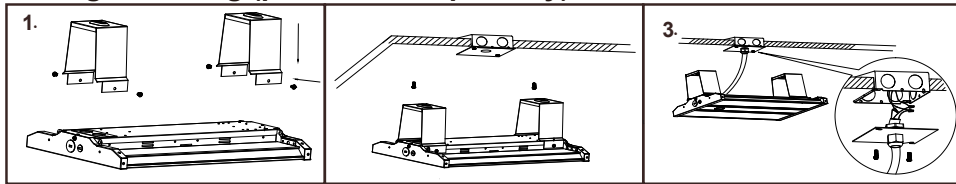
1. Take out the lamp and installation accessories. ("V" Hook wire*2 / hanging chain*2)
2. Attach the "V" hooks to the chain then attach the "V" hooks on the luminaire slots and hang the chain to a structure that can sustain the luminaire weight.
3. Attach the conduit to the luminaire wiring box door, make the electrical connections according with the wiring diagram and secure the wiring box door to the luminaire to complete installation

Stem Pendant mount (purchased separately)



1. Attach stem conduit to the stem mount bracket
2. Secure stem mount bracket into luminaire slots.
3. Attach flexible conduit to the luminaire wiring box door, make the electrical connections according with the wiring diagram, then secure the wiring box door to the luminaire, the stem mount bracket doors and stem mount bracket to luminaire to complete installation

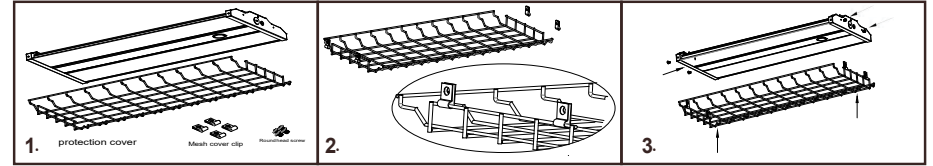
Ceiling mounting (purchased separately)



1. Fix the surface mount bracket with screws.
2. Install the fixture to the mount surface with screws.
3. Attach the conduit to the luminaire wiring box door, make the electrical connections according with the wiring diagram and secure the wiring box door to the luminaire to complete installation

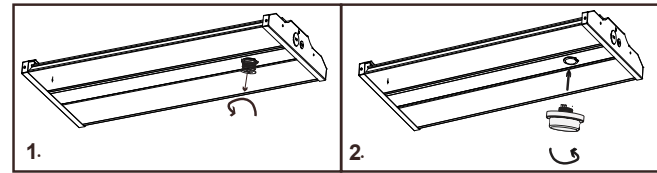
Accessories installation

Installation of protective wire guard (purchased separately)



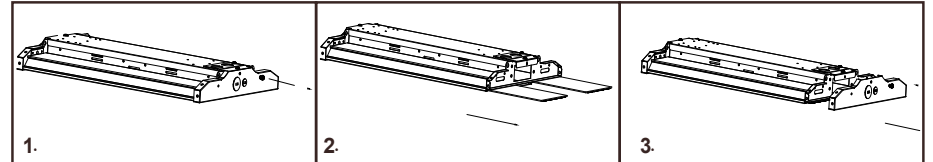
1. Take out the lamp mounting fittings and mounting screws. (Screw*4)
2. Insert provided clips (4 pcs.) onto wire guard.
3. Fasten the clips by screws into wire guard mounting holes.

Sensor installation (sold separately)



1. Unscrew the sensor base plug
2. Screw the sensor into sensor base.

Lens replacement instructions



1. Remove end cover screw and detach end cover.
2. Slide out lens and replace.
3. Mount back end cover.