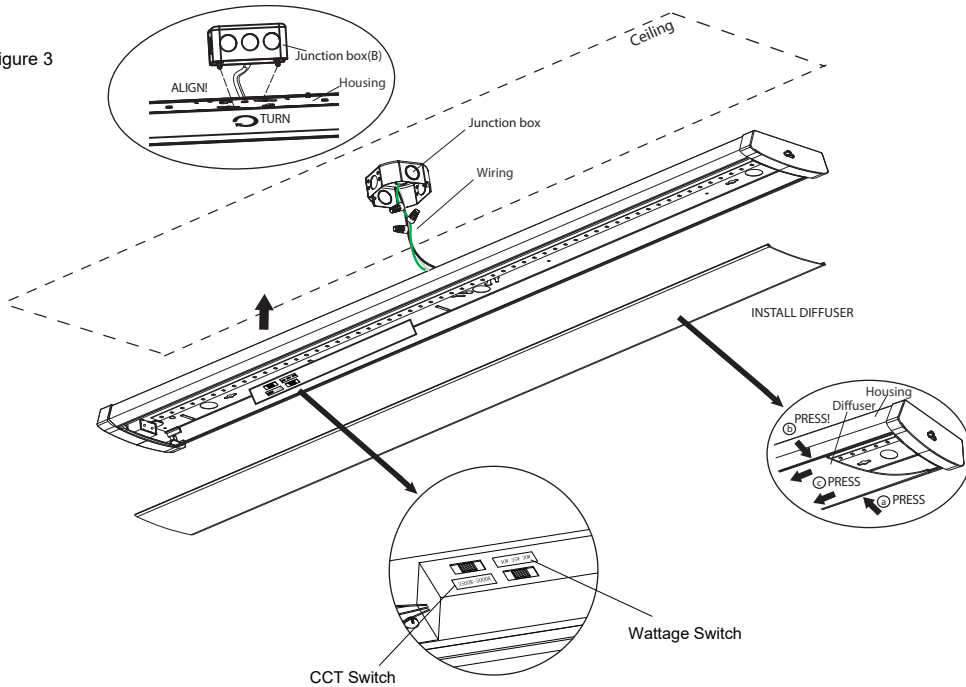


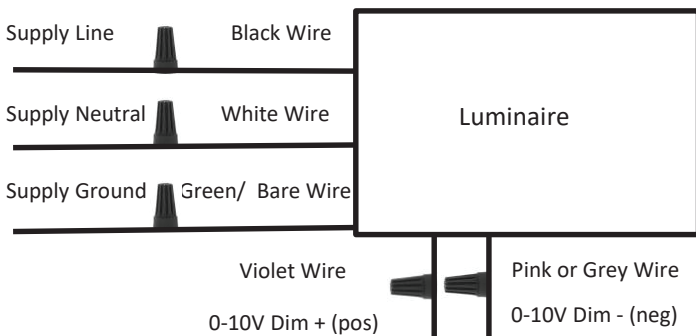
## SURFACE MOUNTING(B)

Figure 3



- Step 1: Remove the lens from the housing by using the provided suction cup to absorb on side of the lens. Pull the suction cup to detach the lens from the luminaire housing.
- Step 2: Mount the luminaire on the junction box.
- Step 3: Install the lens starting at one end of the housing. Insert lens slot onto edge of housing. Carefully squeeze the lens to engage opposite side with the housing. Continue this action down the length of lens until fully installed onto housing.
- Step 4: Turn on the luminaire.

## General Wiring Diagram



For dimming wires, use class 1 wiring methods.

Cap dimming wires (separately) if not used.

## WRAP AROUND INSTALLATION INSTRUCTIONS

### CAUTION:

1. Read all instructions before starting installation.
2. This product must be installed in accordance with the applicable installation codes by a qualified electrician familiar with the construction and operation of the product and the hazards involved.
3. Disconnect power at circuit breaker or fuse before starting installation.
4. To avoid injury, wear gloves during installation.
5. To reduce the risk of electrical shock and product damage, do not install this luminaire during rain or other storms.
6. Do not test luminaire using an electric generator before installation.

## SURFACE MOUNTING(A)

Figure 1

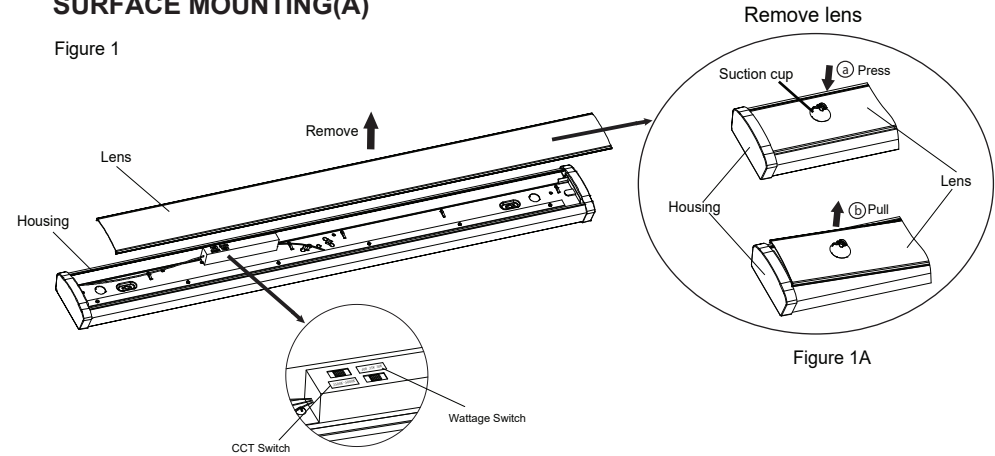


Figure 1A

Figure 2

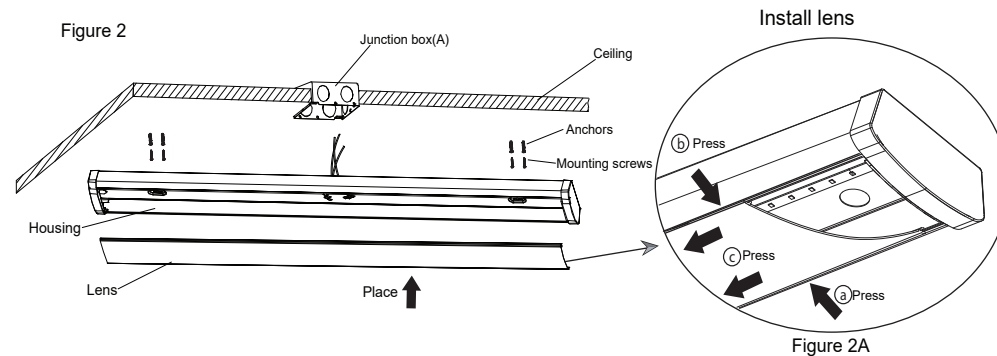


Figure 2A

- Step 1: Remove the lens from the housing near one end of the housing by using the provided suction cup to absorb one side of the lens. Pull the suction cup to detach the lens from the housing(Fig. 1A detail)
- Step 2: Use the luminaire as a template by placing it on the junction box and penciling on the ceiling the four hole positions. Put the luminaire aside and drill the four holes. Insert an anchoring bolt (not included) into each hole. Screw the four mounting screws into each anchoring bolt, then connect the AC wires.(Fig. 2)
- Step 3: Install the lens starting at one end of housing. Insert lens slot onto edge of housing. Carefully squeeze the lenc to engage opposite side with housing. Continue this action down the length of lens until fully installed onto housing.(Fig. 2A detail)
- Step 4: Turn on the luminaire.