



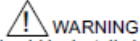
WAREHOUSE-LIGHTING.COM
INDUSTRIAL AND COMMERCIAL
LIGHTING MFR SINCE 2003

Installation Guide

Installation Instructions

IP66 Linear Architectural

Read Instruction manual carefully to ensure proper installation.
Please keep this instruction manual for future using!



WARNING
To avoid the risk of fire, or electric shock this product should be installed, inspected, and maintained by a qualified electrician only. Installation should be completely by an individual familiar with the construction and operation of the luminaire. Installation of luminaire must be in accordance with nation and local building and electrical codes.

Safety Warning:

To avoid electric shock:
Be certain electrical power is OFF before and during installation and maintenance.
Luminaire must be supplied by a wiring system with an equipment grounding conductor.
To avoid burning hands:
Make sure lens and housing are cool when performing maintenance.
To avoid product degradation:
Make sure the wire supply voltage is the same as the luminaire supply
Use proper supply wiring as specified on the luminaire nameplate.
Avoid use in environments containing sulfur, chlorine, or other halides, methyl acetate or ethyl acetate, cyanoacrylates, glycol ethers, formaldehyde or butadiene.

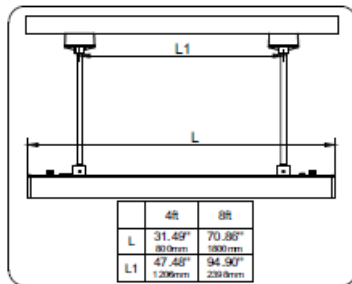
Notes:

Instructions do not cover all details and all possible product configurations.
Do not restrict luminaire ventilation.
Ensure LED luminaire is not covered with material that will prevent convection or conduction cooling.
Ensure LED luminaire has the correct polarity before installation
Avoid exposing wiring to metal edges and sharp objects.

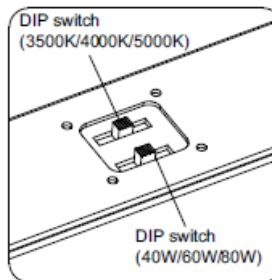
Maintenance:

Perform visual, electrical, and mechanical inspections on a regular basis. The environment and frequency of use should determine this. However, it is recommended that checks be made at least once a year. Electrically check to make sure that all connections are clean and tight. Mechanically check that all parts are properly assembled.

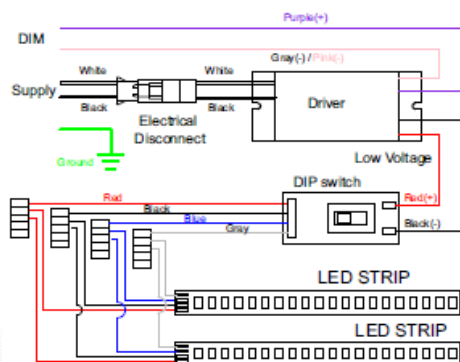
Installation Dimension



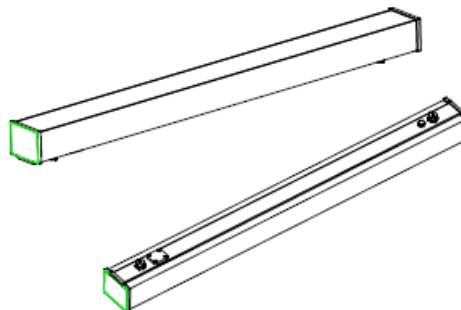
Dip switch for CCT



Wiring Diagram



Product Profile





WAREHOUSE-LIGHTING.COM




INDUSTRIAL AND COMMERCIAL
LIGHTING MFR SINCE 2003

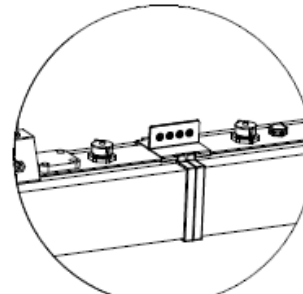
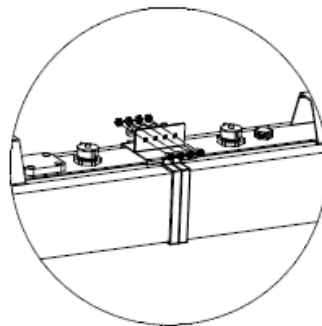
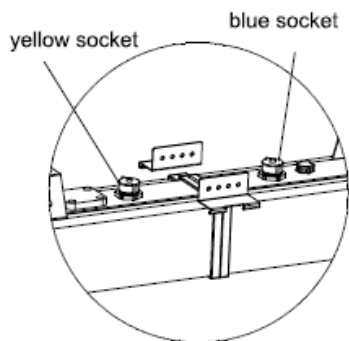
Installation Guide

Installation Instructions

IP66 Linear Architectural

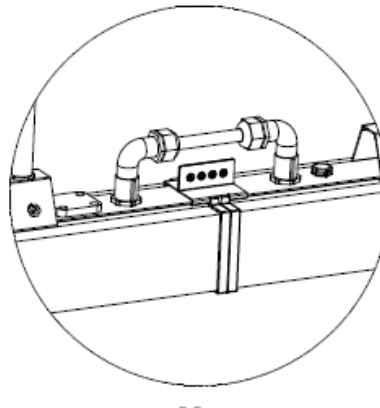
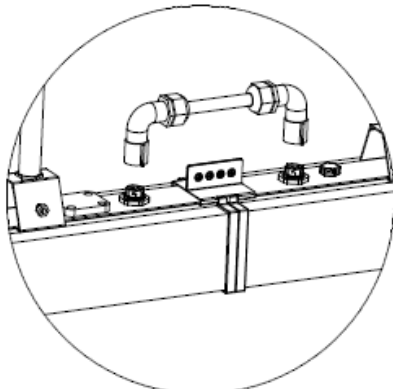
■ Fixture Connection

		
X4	X4	X4



Use the bracket to connect two fixture tight by using the screws

■ Electrical Connection



Use the electrical cable with connector, note the connector should be match, yellow for yellow. blue for blue



WAREHOUSE-LIGHTING.COM

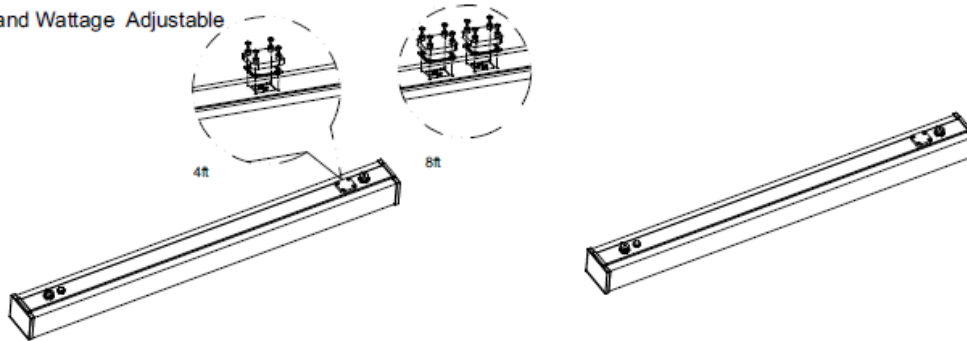
INDUSTRIAL AND COMMERCIAL
LIGHTING MFR SINCE 2003

Installation Guide

Installation Instructions

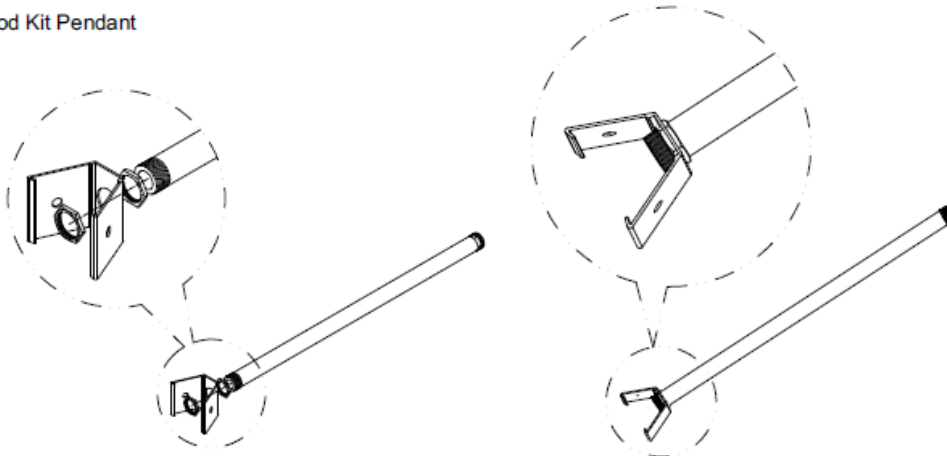
IP66 Linear Architectural

■ CCT and Wattage Adjustable



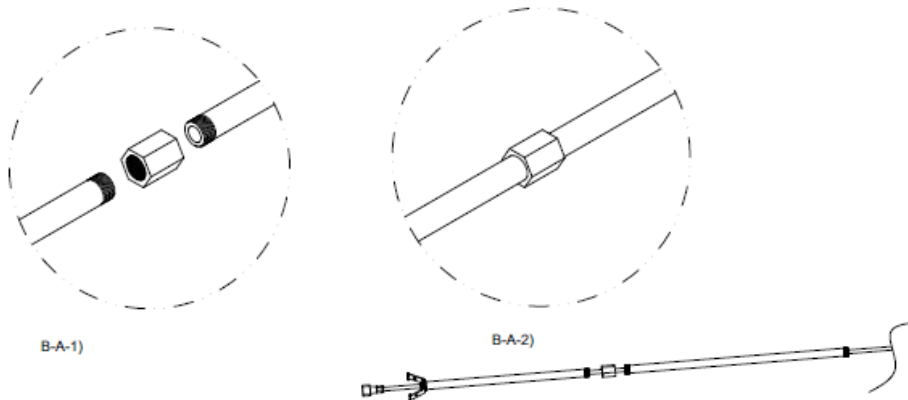
When you adjust the wattage please make sure the cover and the silicon gasket well installed

■ Rod Kit Pendant



Put the NPT1/2 inch rod kit into the junction box on the ceiling, then clip the bracket into the fixture
The AC power cable can get though the rod kit to power the fixture.

■



The rod kit is not long enough, the coupling can be use to connect two kits for longer



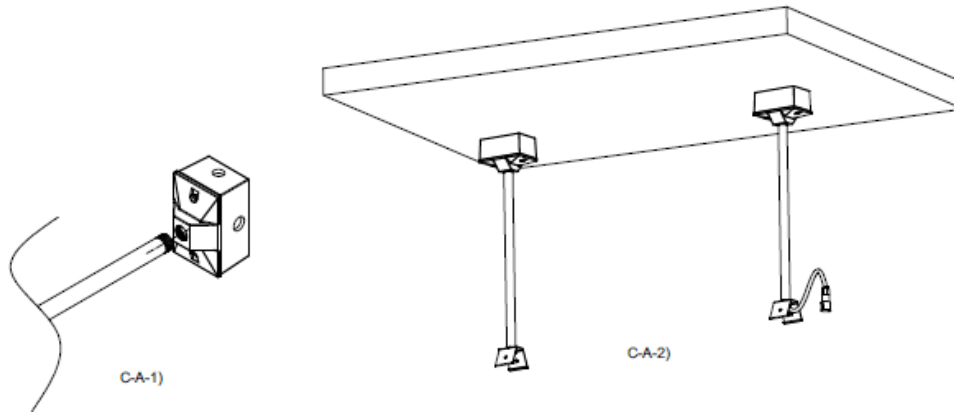
WAREHOUSE-LIGHTING.COM

INDUSTRIAL AND COMMERCIAL
LIGHTING MFR SINCE 2003

Installation Guide

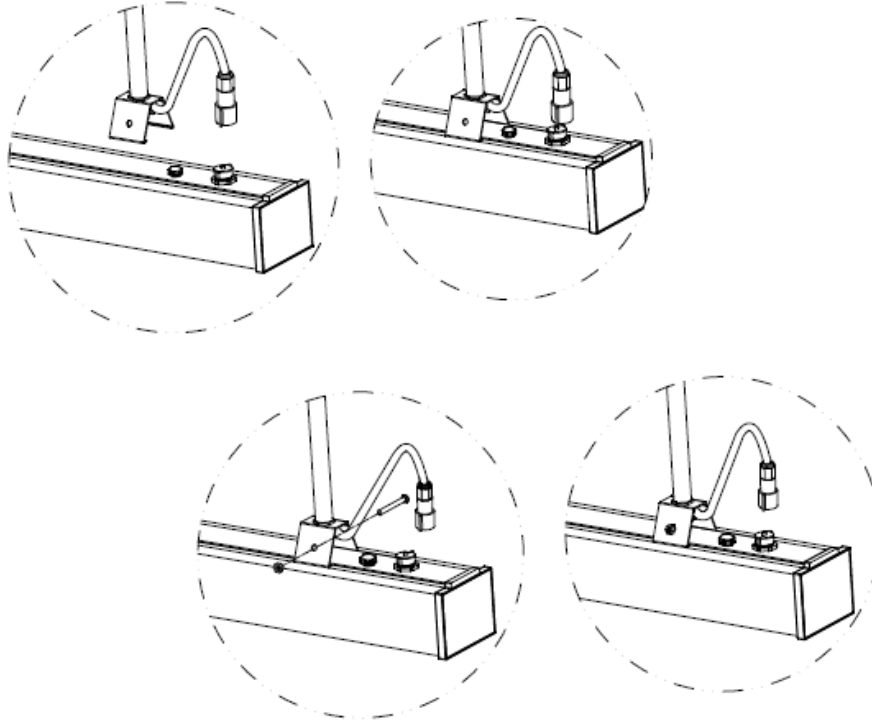
Installation Instructions

IP66 Linear Architectural



Put the NPT1/2 inch rod kit into the junction box on the ceiling, then clip the bracket into the fixture. The AC power cable can get through the rod kit to power the fixture.

(C)





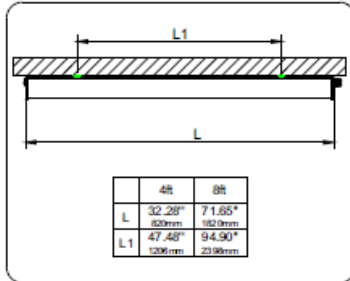
WAREHOUSE-LIGHTING.COM
 INDUSTRIAL AND COMMERCIAL
 LIGHTING MFR SINCE 2003

Installation Guide

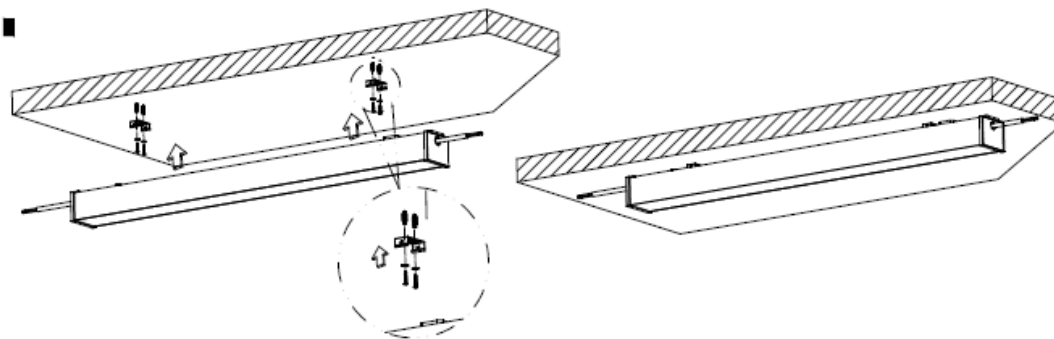
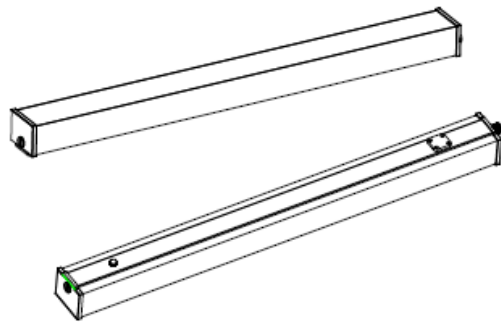
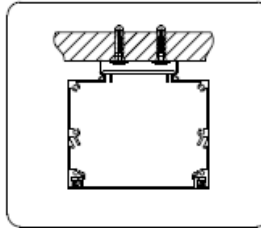
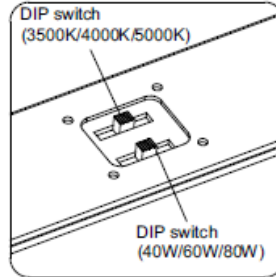
Installation Instructions

IP66 Linear Architectural

■ Surface Mounted



■ Dip switch for CCT



1. Adjust the power and CCT before installation
2. Position the mounting distance
3. Attached the mounting bracket to the ceiling
4. Click the fixture into the bracket
5. The 6FT cable for AC input , the end with 0.5ft is for connection.
 if this is unused, should be insulated and put back into the fixture



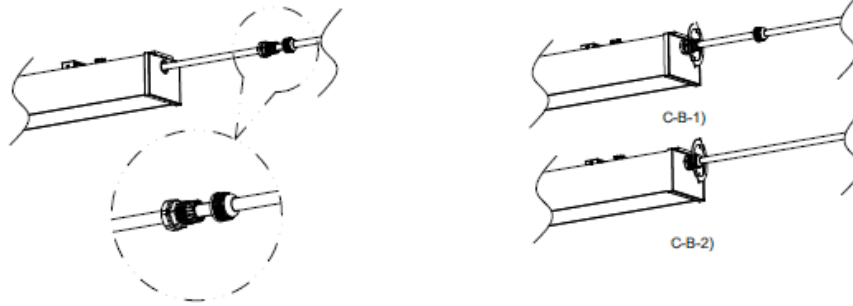
WAREHOUSE-LIGHTING.COM
INDUSTRIAL AND COMMERCIAL
LIGHTING MFR SINCE 2003

Installation Guide

Installation Instructions

IP66 Linear Architectural

■ Connect with AC input

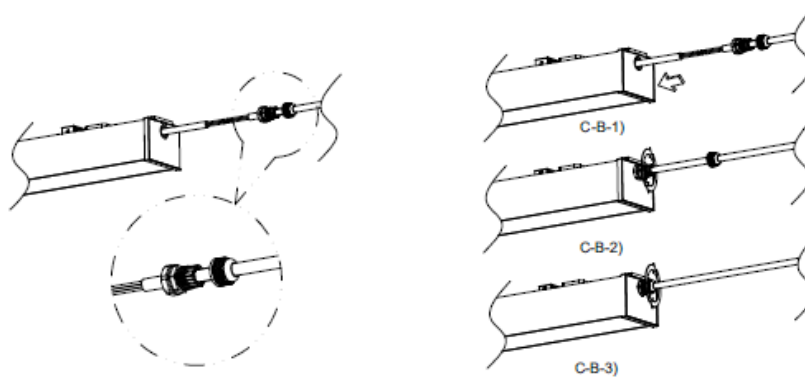


Put the 6FT cable through the Cable gland and tighten into the fixture end



If the other end with 0.5ft cable is unused, then put it back into fixture and cover the end cap with silicon plug in the accessory bag.

■ Connection



If the other end with 0.5ft cable is needed for fixture connection, then connect the 0.5ft cable with the 6ft cable of the second fixture