



Installation Instructions Hazardous Locations Incoplas™ LED Hybrid

Class I Div 2, Groups: A, B, C, D; Class II Div 2, Groups: F, G; Class III, Div 1 & 2

READ CAREFULLY BEFORE INSTALLING LUMINAIRE. RETAIN THESE INSTRUCTIONS FOR FUTURE REFERENCE. Must be wired in accordance with the National Electrical Code and all applicable local codes with the acceptable wiring method for the specific Hazardous Location. THIS PRODUCT MUST BE INSTALLED IN ACCORDANCE WITH THE APPLICABLE INSTALLATION CODE BY A CERTIFIED ELECTRICIAN WITH THE CONSTRUCTION AND OPERATION OF THE PRODUCT AND THE HAZARDS INVOLVED.

WARNING: Make certain power is OFF before installing or maintaining luminaire. No user serviceable parts inside.
RISKS OF FIRE OR EXPLOSION.

1. DO NOT INSTALL LUMINAIRE IN ANY CLASSIFIED LOCATION WHERE THE MARKED OPERATING TEMPERATURE EXCEEDS THE IGNITION TEMPERATURE OF THE HAZARDOUS ATMOSPHERES. CONSULT LUMINAIRE NAMEPLATE FOR SUITABILITY IN SPECIFIC HAZARDOUS LOCATIONS.
2. DO NOT INSTALL LUMINAIRE IN A LOCATION WHERE THE AMBIENT TEMPERATURE EXCEEDS THE MAXIMUM AMBIENT TEMPERATURE SHOWN ON THE LUMINAIRE NAMEPLATE.
3. VERIFY THAT THE SUPPLY VOLTAGE AGREES WITH LUMINAIRE RATING AS INDICATED ON NAMEPLATE.

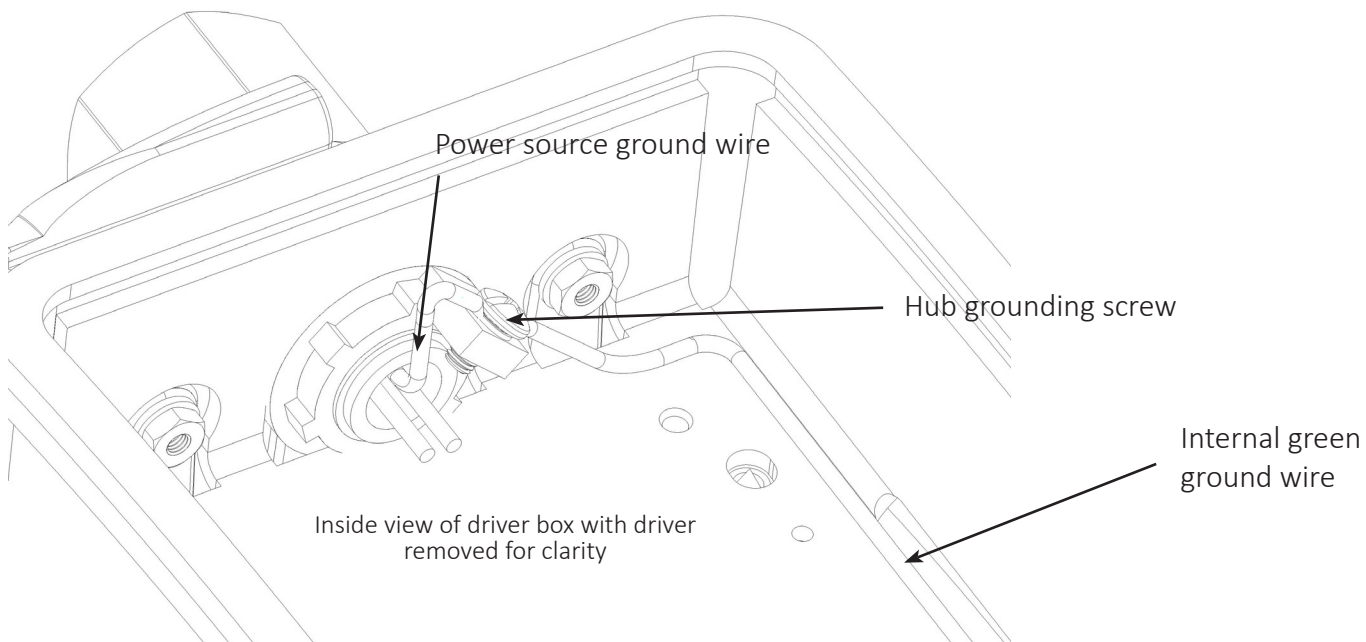
WIRING INSTRUCTIONS

Use wiring methods required by NEC for Hazardous Locations
Black and white wires on one side of driver are the Power Input wires:

1. Black=120-277V
2. White=Neutral/Common
3. Green=Ground

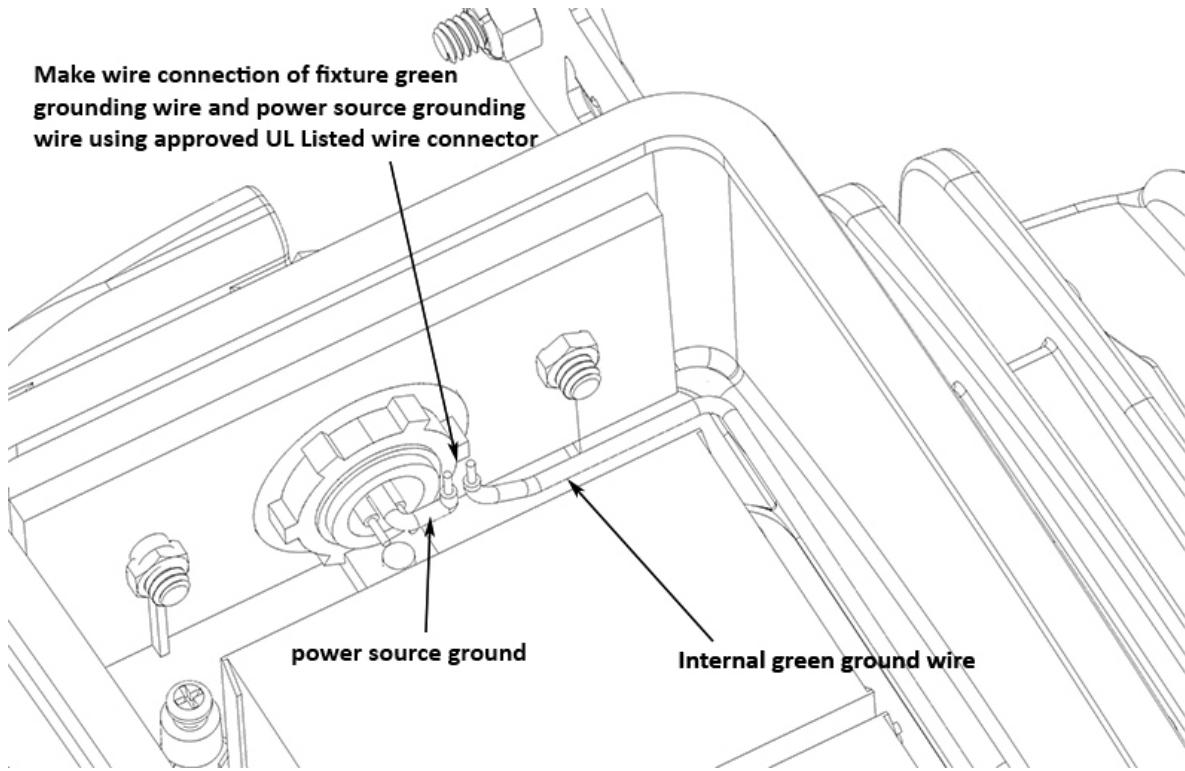
Grounding for Trunnion and Surface Mount - Models Z0, H6

1. Remove the grounding screw from the hub.
2. Place the internal green ground wire and the power source ground wire to the grounding screw with listed wire connector and securely tighten.



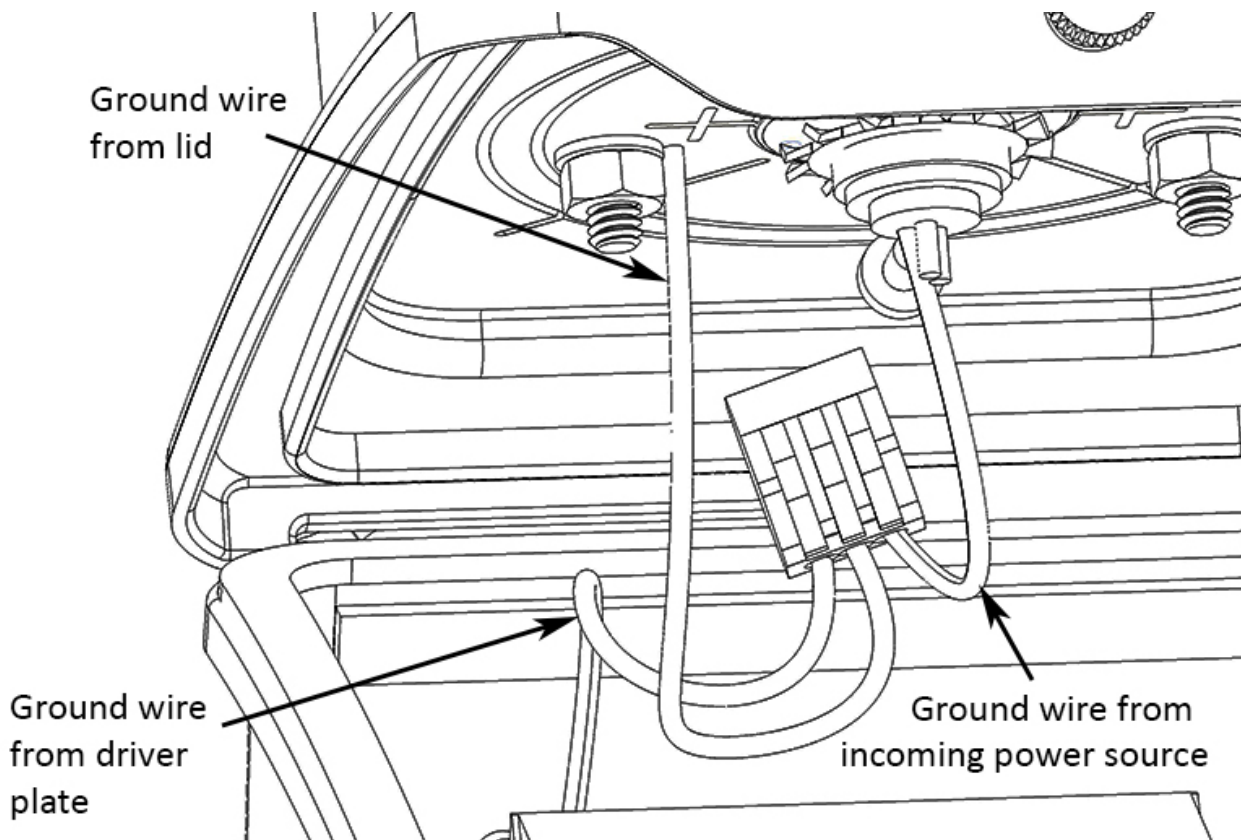
Grounding for Adjustable Wall Pack - Model H0

1. Make wiring connection of fixture green grounding wire and power source grounding wire using approved NEC Hazardous Locations connector.



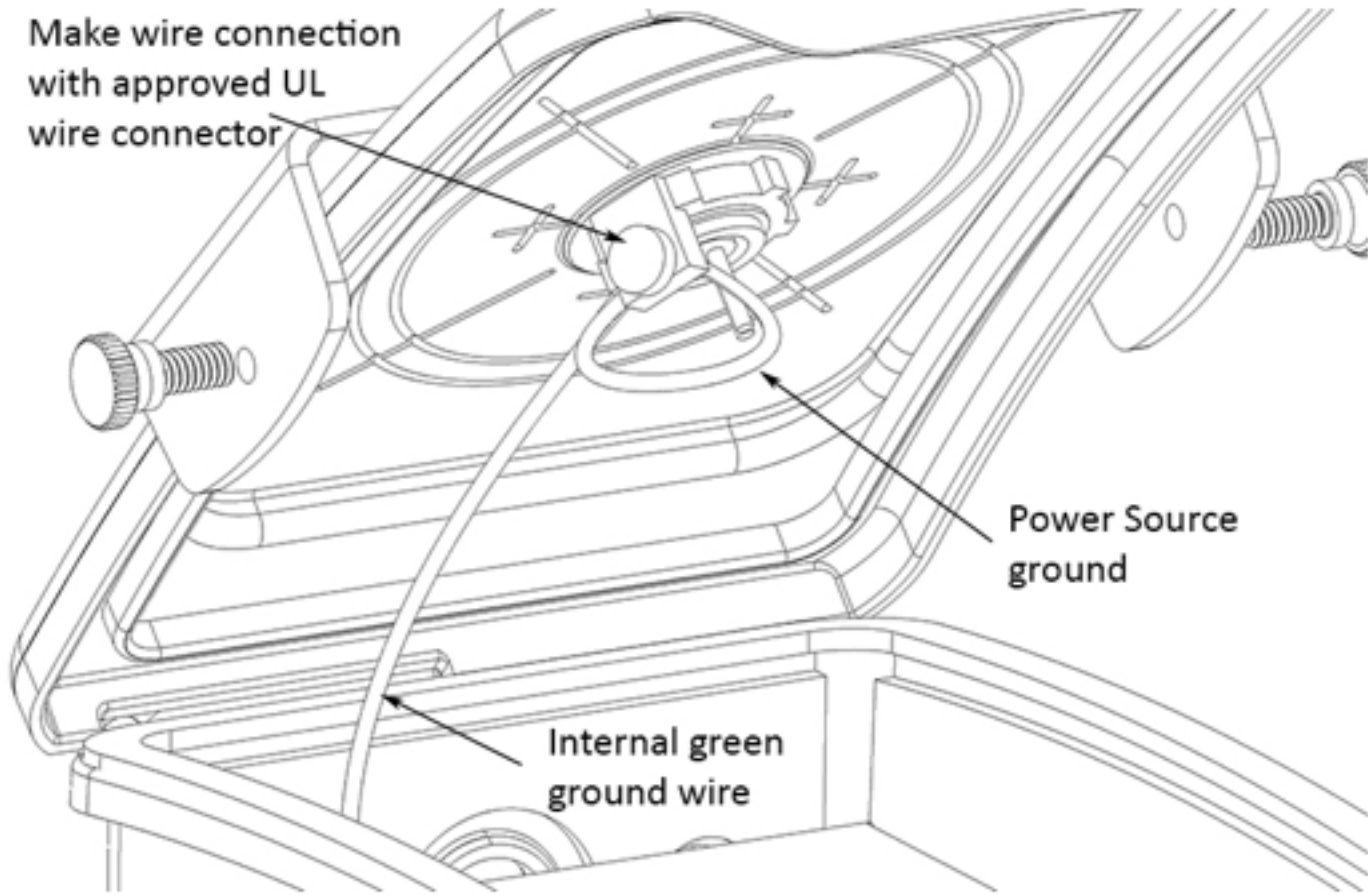
Grounding for Adjustable Trunnion - Model H2

1. Secure the incoming ground wire from the power source into the open position of the Wago wire connector.

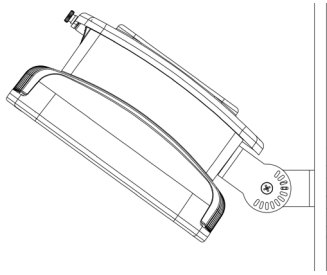


Grounding for Pendant - Model H7

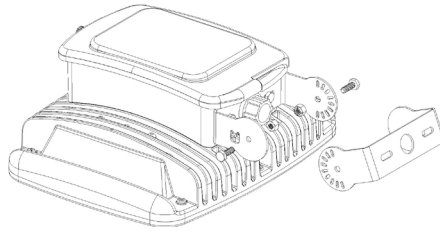
1. Remove the grounding screw from the hub.
2. Place the internal green ground wire and the power source ground wire to the grounding screw with listed wire connector and securely tighten.



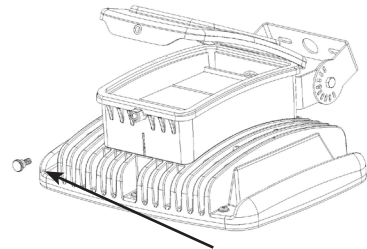
MOUNTING: ADJUSTABLE WALL PACK MOUNT - MODEL H0



1. Remove the outer adjustable bracket and securely mount to desired wall surface using two 1/4" x 20 bolts.



Outer Adjustable bracket

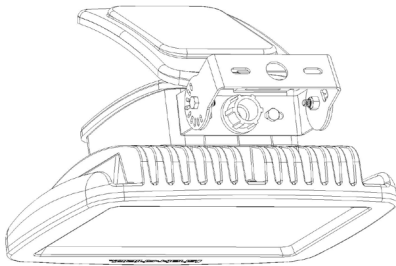


Thumbscrew

2. Remove the outer adjustable bracket and securely mount to desired wall surface using two 1/4" x 20 bolts.

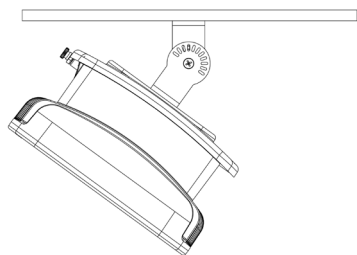
3. Remove the outer adjustable bracket and securely mount to desired wall surface using two 1/4" x 20 bolts.

4. Feed supply wire through conduit Hub, and make appropriate supply connections per "Wiring Instructions" and connect the ground wire to the grounding terminal of the conduit hub locknut. Use suitable wiring method for connection to the conduit hub in accordance with the NEC, CEC and local codes for the specific Hazardous Location.

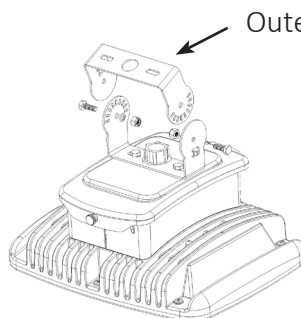


5. Close the luminaire, taking care to ensure all wires are inside the LED Driver Housing/ Wiring Compartment and install the 1/4" x 20 Stainless Steel thumbscrew and tighten.

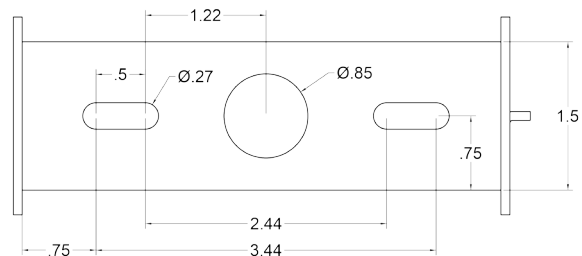
ADJUSTABLE TRUNNION - MODELS H2, Z0



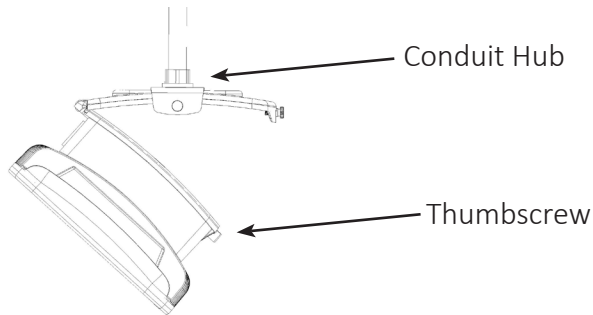
1. Remove the outer adjustable bracket and securely mount to ceiling surface using two 1/4" x 20 bolts.



Outer adjustable bracket



2. Re-attach the luminaire to the mounted bracket to the desired surface/ceiling angle and secure the locking nuts.
3. Open lid of luminaire to access LED Driver Housing/ Wiring Compartment by removing thumbscrew.

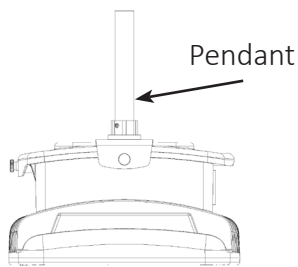


4. Feed supply wiring through conduit Hub and make appropriate supply connections per “Wiring Instructions” and connect the ground wire to the grounding terminal of the conduit hub locknut. Use suitable wiring method for connection to the conduit hub in accordance with NEC, CEC and local codes for the specific Hazardous Locations.

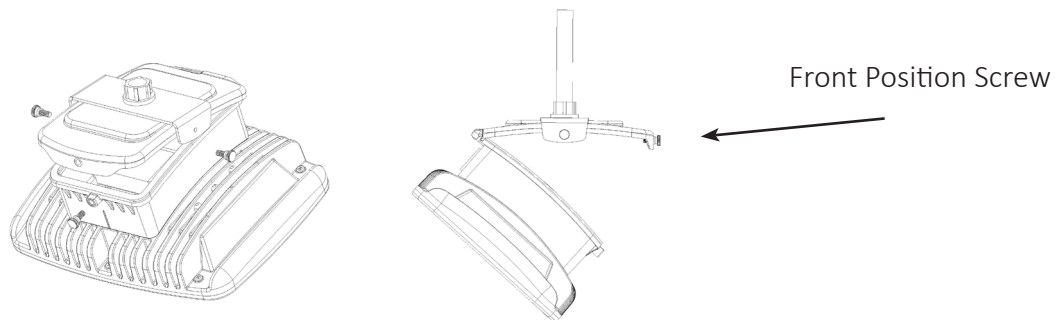
5. Close the luminaire, taking care to ensure all wires are inside LED Driver Housing/Wiring Compartment and install the 1/4” x 20 Stainless Steel thumbscrew and tighten.

PENDANT MOUNT - MODEL H2

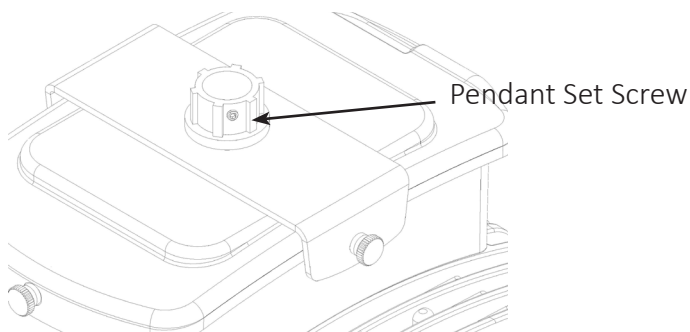
Use listed 3/4” NPT threaded rigid metal conduit for pendant mounting support of luminaire



1. Position and install the conduit (pendant) at the desired location and feed the AC supply wires through the end of the pendant.
2. Remove the lid from the luminaire by loosening the front thumbscrew. Feed supply wiring through conduit Hub on the lid and attach lid to the 3/4” NPT conduit (pendant). Rotate lid to desired position after the conduit threads are fully engaged with the conduit hub.



3. Tighten pendant set screw in the conduit Hub to prevent luminaire rotating on Pendant.

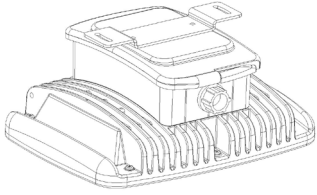


4. Make supply connections per “Wiring Instructions” and connect the ground wire to the grounding terminal on the conduit hub locknut.

5. Close the luminaire, taking care to ensure all wires are inside the LED Driver Housing/Wiring Compartment and install the 1/4” x 20 Stainless Steel thumbscrew and tighten.

FLAT CEILING MOUNT - MODEL H6

1. Remove the lid (with the metal bracket still attached) of the luminaire and mount it to the desired location with 1/4" x 20 bolts

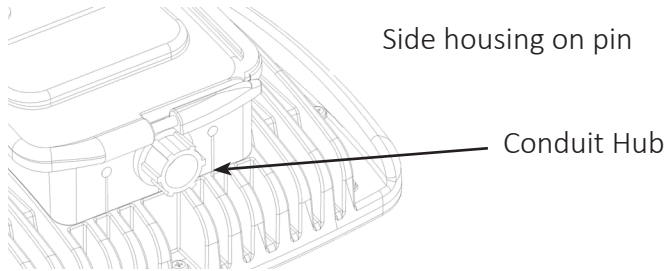


2. Once mounted in the desired location, use the lid's guide pin to attach the luminaire housing.

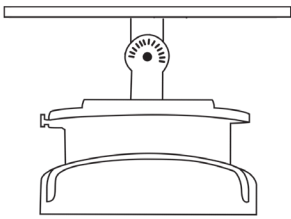
3. Feed the AC supply wires through the housing using the conduit Hub on the rear.

4. Make supply connections per "Wiring Instructions" and connect the ground wire to the grounding terminal on the conduit hub locknut.

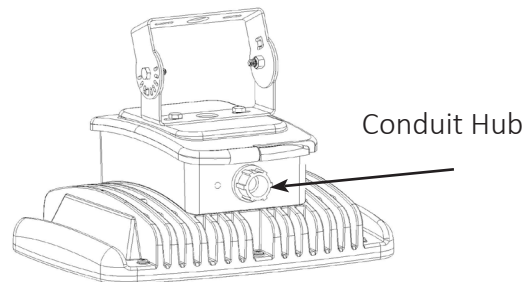
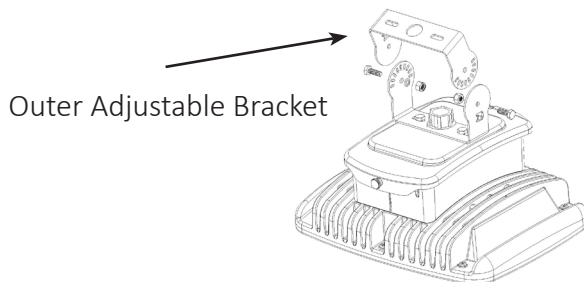
5. Close the luminaire, taking care to ensure all wires are inside the LED Driver Housing/Wiring Compartment and install the 1/4" x 20 Stainless Steel thumbscrew and tighten.



ADJUSTABLE TRUNNION - SURFACE/CEILING- MODEL Z0



1. To remove outer adjustable bracket and securely mount to ceiling surface using two 1/4" x 20 bolts or appropriate hardware supplied by customer.



2. Re-attach the luminaire to the mounted bracket to the desired surface/ceiling angle and secure the locking nuts.

3. Open lid of luminaire to access LED Driver Housing/Wiring Compartment by removing thumbscrew.

4. Feed supply wiring through conduit hub and make appropriate supply connections per "Wiring Instructions" and connect the ground wire to the grounding terminal of the conduit hub locknut. Use suitable wiring method for connection to the conduit hub in accordance with NEC, CEC and local codes for the specific Hazardous Locations.

5. Close the luminaire, taking care to ensure all wires are inside LED Driver Housing/Wiring Compartment and install the 1/4" x 20 Stainless Steel thumbscrew and tighten.

SAFETY CABLE INSTALLATION

1. Run cable through hole located on housing rib and feed through loop on cable.
2. Wrap cable around secured safety mounting area.
3. Insert wire into cable lock.
4. Pull cable to remove slack and trim if needed
5. Use supplied pin and insert into hole on cable lock to adjust cable lock if needed.

