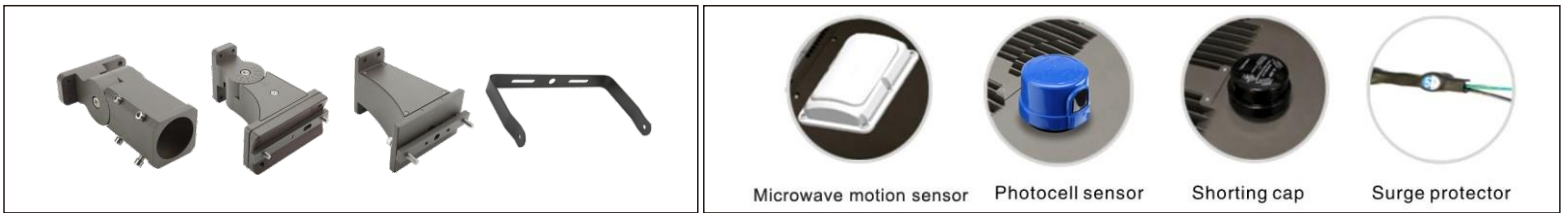


LED Shoebox/Area Light

300W Product



IP65

LM-79
TM-21



Product features:

- High quality die cast aluminum, rounded shape, painting process is fade and crack resistant.
- Aerodynamic design with integrated heat sink keeps the LED temperature lower for longer life and higher efficiency.
- Numerous mounting options for round pole, square pole, wall, etc. All screws are SUS316 stainless steel and corrosion resistant.
- SMD3030 LED chips, high CRI, little luminance loss, high light efficiency (160Lm/W)
- SOSEN high factor 12KV surge protector series driver

Product Applications:

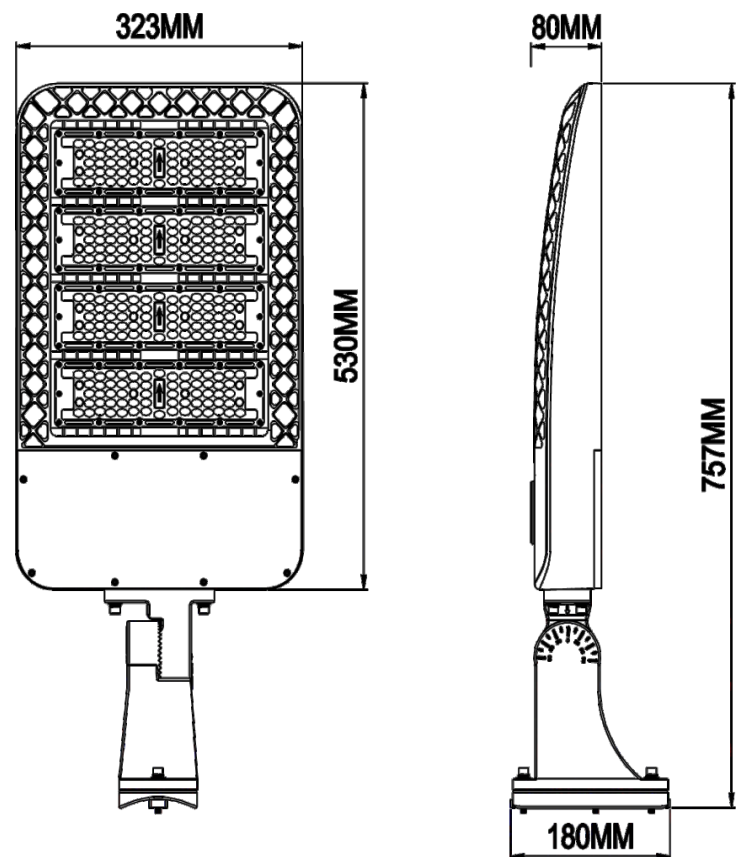
- | | | | |
|----------------|-----------|--------------------|---------------------|
| • Parking lots | • Roads | • Industrial areas | • Residential areas |
| • Sidewalks | • Schools | • Outdoors | • Landscaping |



Specifications

Structure Features:

- Shell materials: Aluminum & Polycarbonate
- Finish: Dark Bronze/White
- Light Size: L530mm x W323mm x H80mm
- Packing Size: L682mm x W362mm x H140mm

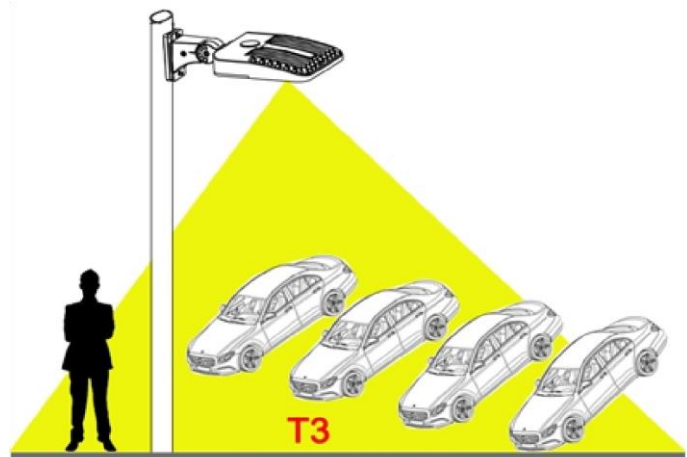
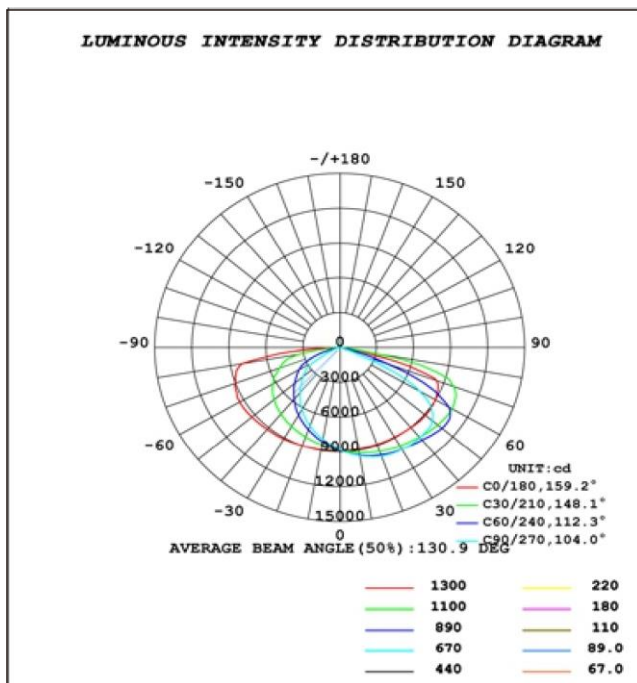


Technical Parameters

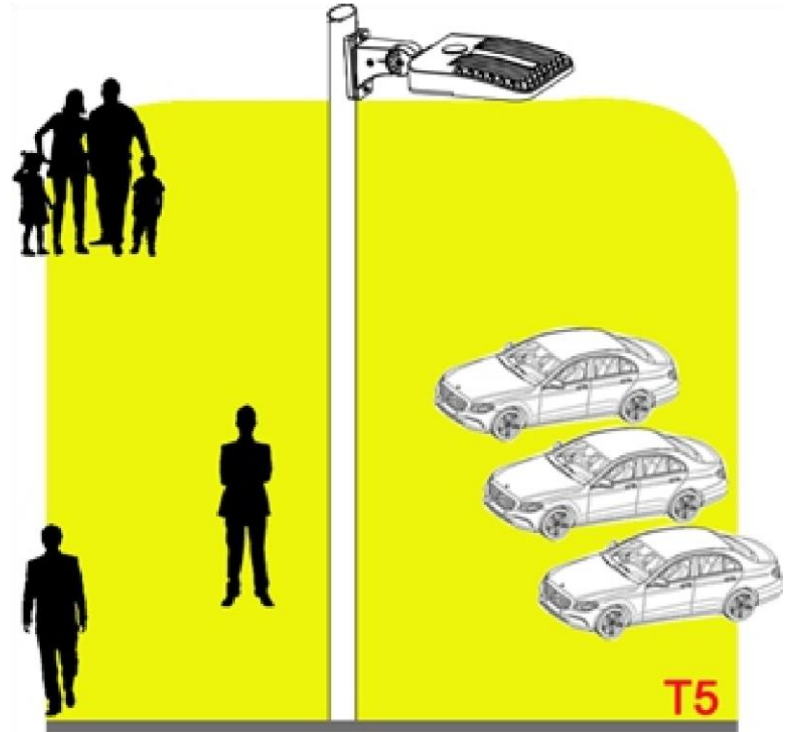
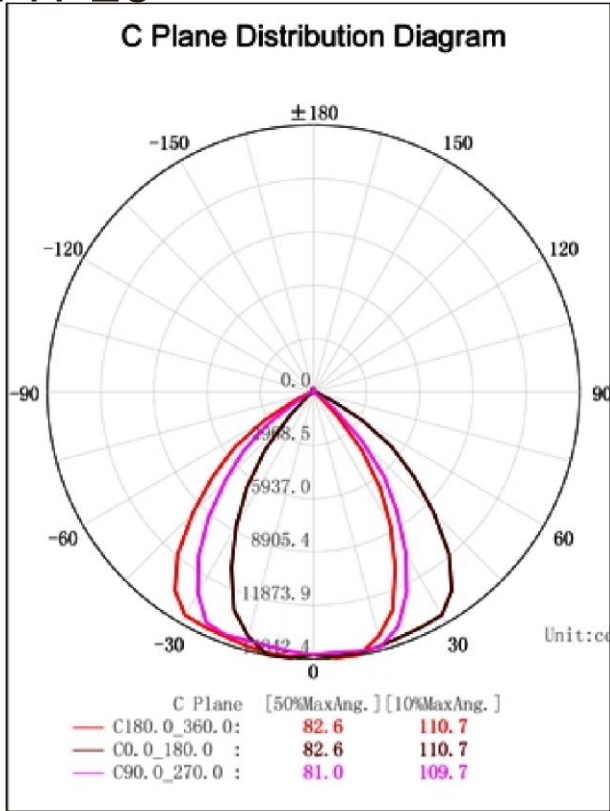
HG-SL-200W -LV-YY-Z / HG-SL-200W -HV-YY-Z

Power	300W	Working Temperature	-40 - +50
Input Voltage	AC100-277V/AC200-480V	Storage Temperature	-40 - +60
Power Frequency	50/60Hz	IP Rating	IP65 Wet Location
Luminous Efficiency	130lm/w	Certification	ETL CE FCC DLC
Luminous Flux	39000LM	Warranty Time	5 Years
CCT	3000k/4000K/5000K/5700k	Optional Accessory	Surge Protection/ Shorting Cap/ Photocell Sensor/ Microwave motion sensor
CRI	Ra>80	Dimmable	0-10V
Lighting Angle	TYPE3/TYPER5	Power Factor	>0.9

Photometry TYPE3



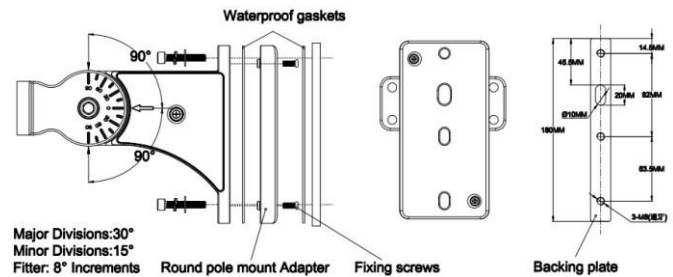
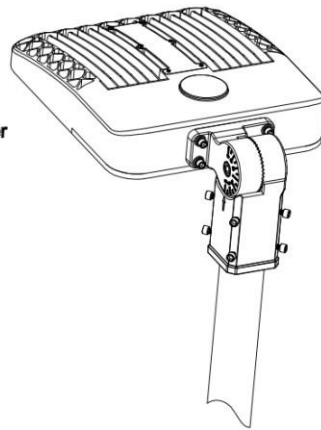
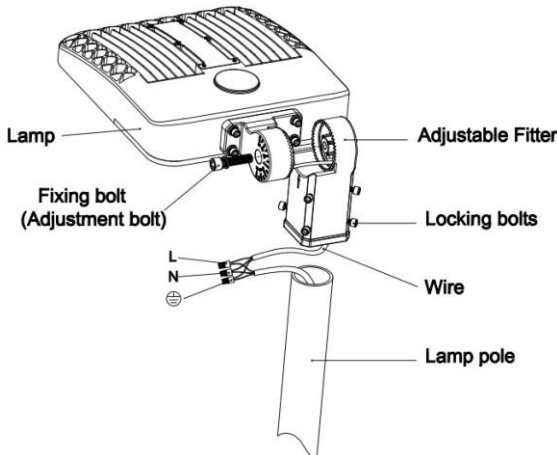
Photometry TYPE5



Installation:

Adjustable Angle : -90° - +90°

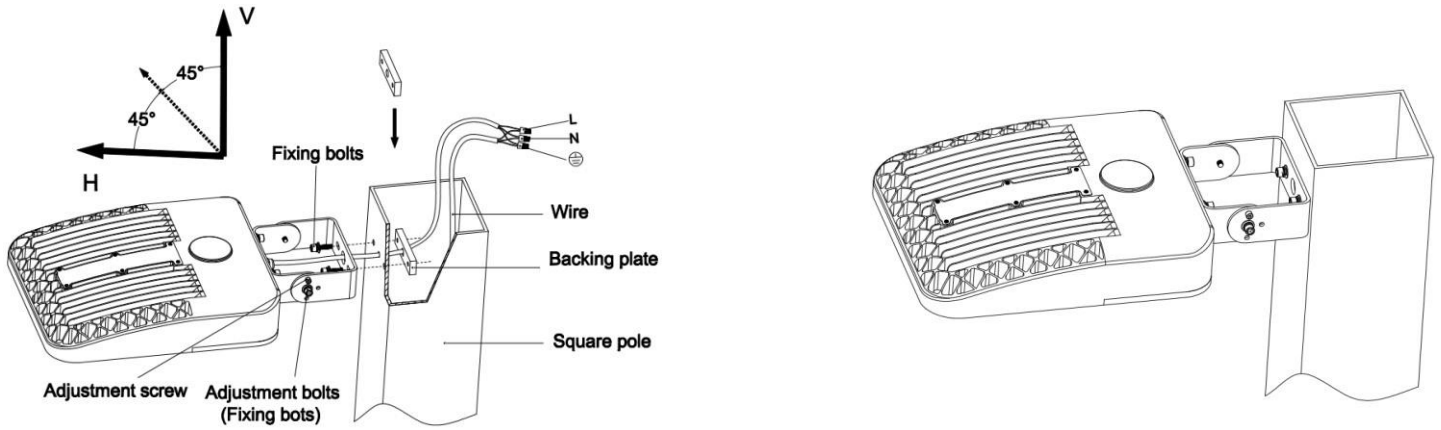
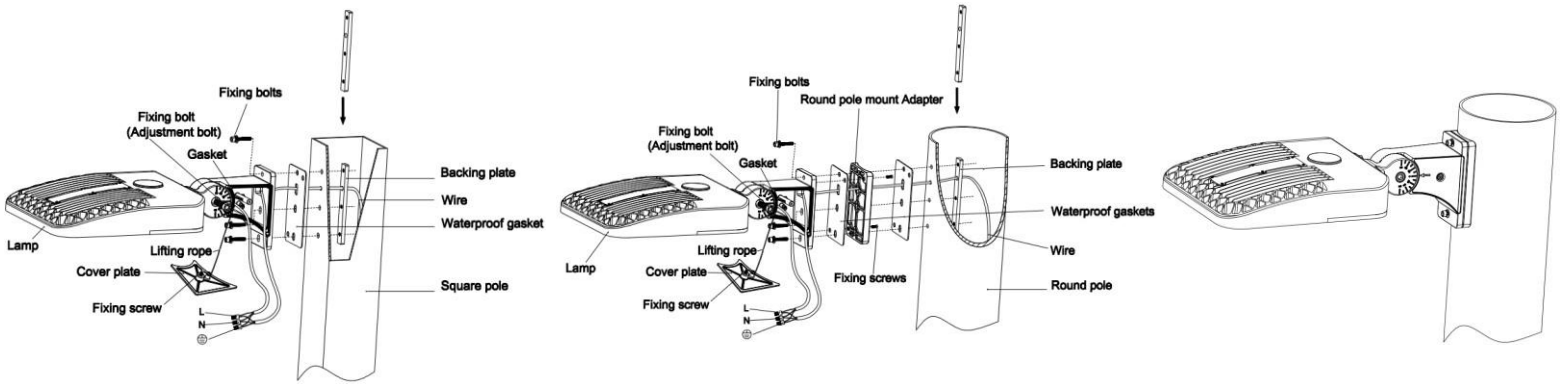
1.Slip fitter mount



Warehouse-Lighting.com
2750 South 163rd St
New Berlin, WI 53151

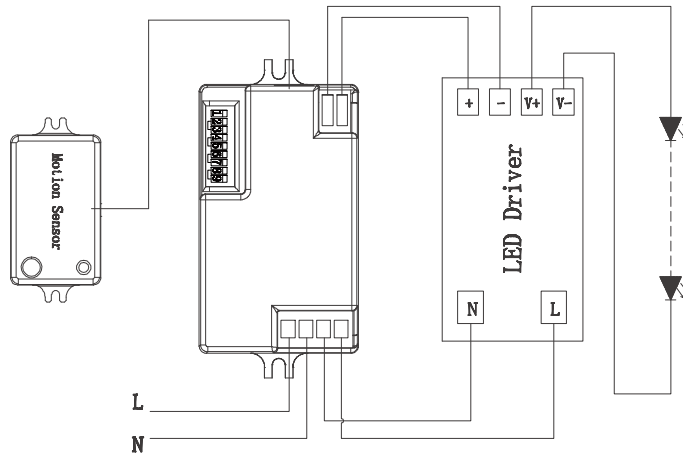
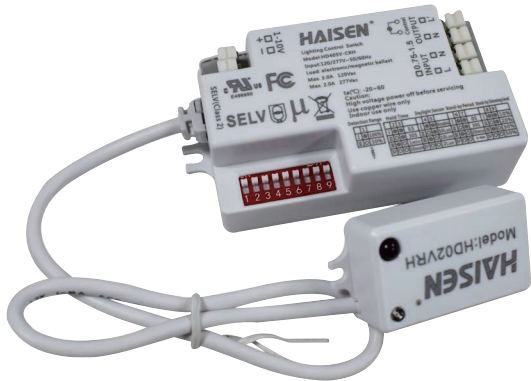
Warehouse-Lighting.com
Phone: 888-454-4480
requests@warehouse-lighting.com

2. Adjustable Square Round Pole Mount



3. Wall Mount-Trunnion

HD405V-CRH High bay detachable type motion sensor specifications



Wiring diagram



On/off control



Stand-by dimming level



Detection area



Remote control setting



Hold time



10-15M Highbay altitude



Daylight sensor



Warranty
5 years



Stand-by period

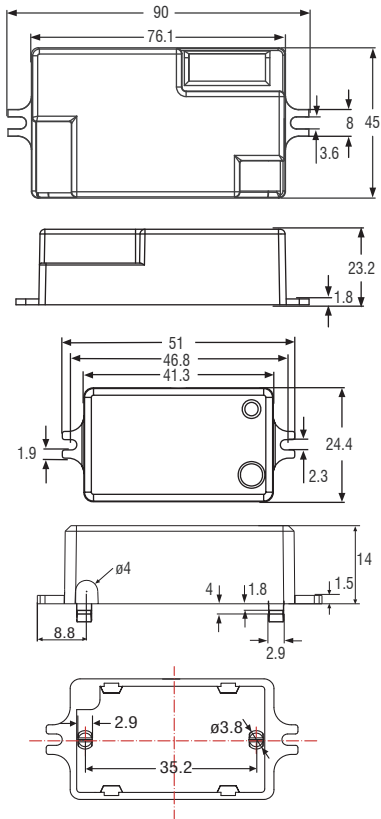
01 Technical data

Operating voltage	120–277 VAC 50/60Hz
Switching capacity	Max.3.0A@120Vac,Max.2.0A@277Vac
Stand-by power	<1W
Detection area	50%/100%
Hold time	5s/30s/1min/10min
Daylight threshold	2Lux/10Lux/50Lux Disable
Stand-by period	0s/30s/20min/+ ∞
Stand-by dimming level	10%/20%/30%/50%
Microwave frequency	5.8GHz±75MHz
Microwave power	<0.3mW
Interfaces	6-pole pluggable clamp terminal (L,N,NL',1-10v+,1-10v-) for 0.75- 1.5mm ² cable
Mounting height	Max.15m(ceiling mounted);Max.3m(wall mounted)
Detection range	Max.ø14m(ceiling mounted);Max.20m(wall mounted)
Detection angle	30°-150°
Operating temperature	-20°C~+60°C
IP rating	IP20

Note: Motion sensor setting and dimming setting please refer to remote control HD02R.
HD02VRH Wire diameter 4mm,Standard Version Cable Length 30cm(can be customized).

Specifications subject to change without notice.©All rights reserved.

02 Mechanical structure(mm)



03 Settings

● 100%	● ● 5s	● ● Disable	● ● 0s	● ● 10%
○ 50%	○ ● 30s	○ ● 50lux	○ ● 30s	○ ● 20%
	● ○ 1min	● ○ 10lux	● ○ 20min	● ○ 30%
	○ ○ 10min	○ ○ 2lux	○ ○ +∞	○ ○ 50%

Detection area
Detection area means detection coverage. It can be adjusted by combining DIP switches for specific application.

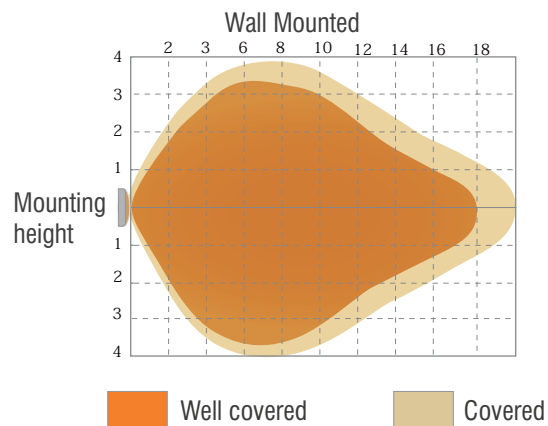
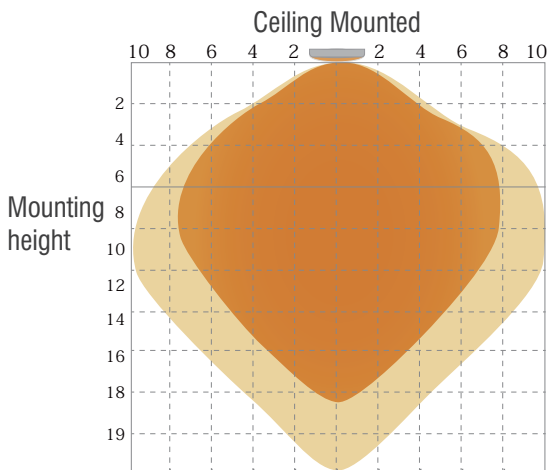
Hold-time
Hold-time means the time period the light will be ON after the last detection.

Daylight threshold
Daylight sensor prioritizes to motion sensor. Set threshold for specific needs. If Disable, only motion sensor works.

Stand-by period
This is the time period the light keeps dimming down after the last detection.

Stand-by dimming level
This is the dimming level the light keeps during stand-by period.

04 Detection coverage





With sufficient daylight, even when motion detected, light remains OFF.



With insufficient daylight, when motion detected, light ON.



After last detection, the light will be dimmed down to the stand-by dimming level (10%, 20%, 30% or 50%) after holdtime.



After the stand-by period, light OFF.

