

# High Temperature High Bay Light

## LED Explosion Proof Light



D1



D2



D4

### Certifications:

- ◆ UI1598
- ◆ UL1598A
- ◆ CB,EMC,ROHS 2.0. LM-79, LM-82
- ◆ IK09
- ◆ Ambient Temperature:
  - ◆ -40°C to 70°C (-40°F to 158°F)
- ◆ IP66/IP67

### Key Features:

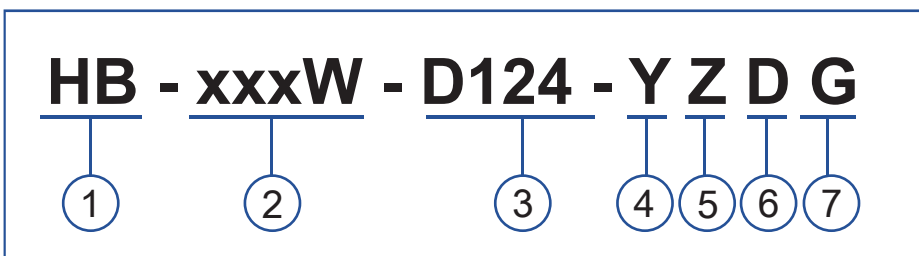
- 1 Designed for high-temperature environment up to 70°C (158°F).
- 2 Excellent resistance of high-temperature, dust, corrosive gas environment.
- 3 Beam angles are from 20° to 120°.
- 4 Best-in-class efficacy up to 150 lumens per watt.
- 5 0-10V dimming function.
- 6 Power supply is high-temperature resistant.

# LED High Temperature High Bay Light

## Standard Materials:

- ◆ Housing: Aluminum + glass + SPCC
- ◆ Substrate board: Copper
- ◆ LED Chip : 5050, 3535, 3030
- ◆ Glass: Plane glass

## Catalog Number Logic:



① **PRODUCT CATEGORY**

- ◆ High bay light

② **WATTAGE**

- ◆ 10-150W
- ◆ 100-300W
- ◆ 300-600W

③ **PRODUCT SERIES**

- ◆ D1    ◆ D2    ◆ D3

④ **SENSOR OPTION**

⑤ **CCT**

- ◆ 2200K-7000K

⑥ **BEAM ANGLE**

- ◆ 20°-120°

⑦ **GLASS TYPE**

## Technical Data:

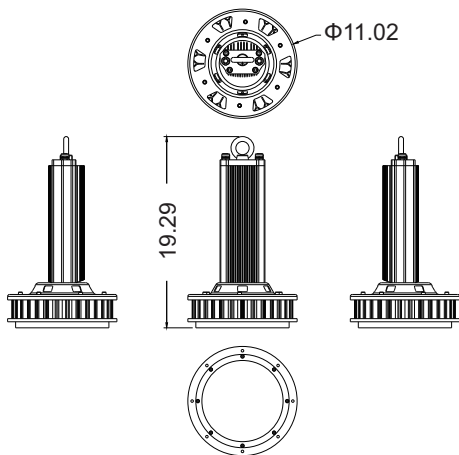
Model	Wattage	Operating Voltage	Total Lumens (lm)	Efficacy (lm/W)	CRI	CCT	Dimming
HB-xxxW-D1YZDG	10-150W	AC127-270V/347-480V	1,500-22,500	150	>70	2200K-7000K	0-10V dimmable
HB-xxxW-D2YZDG	100-300W	AC127-270V/347-480V	15,000-45,000	150	>70	2200K-7000K	0-10V dimmable
HB-xxxW-D4YZDG	300-600W	AC127-270V/347-480V	45,000-90,000	150	>70	2200K-7000K	0-10V dimmable

# LED High Temperature High Bay Light

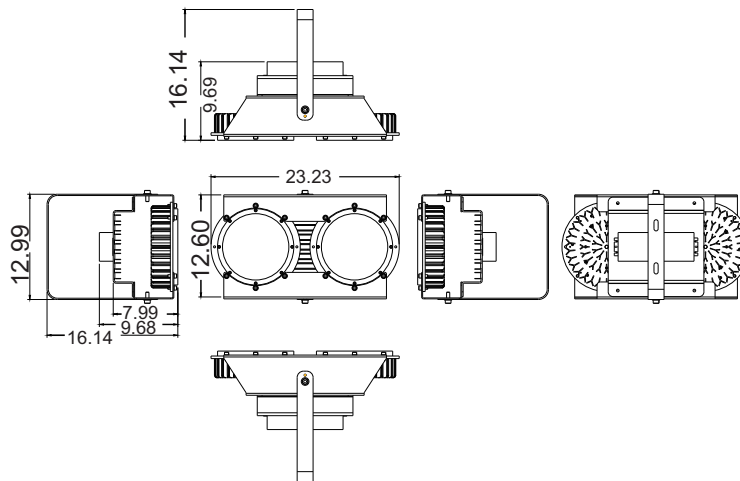
## Dimensions & Packing:

Unit: inch

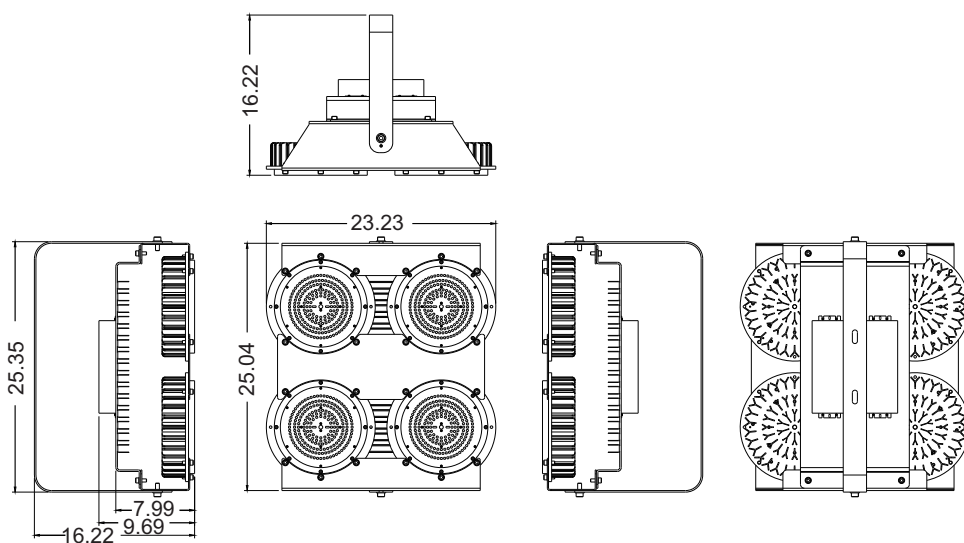
### HB-xxxWD1



### HB-xxxWD2



### HB-xxxWD4



Model	Quantity/Carton	Packing Size	Net Weight	Gross Weight
HB-xxxWD1YZDG	1 PCS	13.39x13.39x21.64inch	8 kg/ 17.64 lbs	9 kg/ 19.84 lbs
HB-xxxWD2YZDG	1 PCS	13.39x13.39x21.64inch	16 kg/ 35.27 lbs	17 kg/ 37.48 lbs
HB-xxxWD4YZDG	1 PCS	27.40x26.57x12.05inch	32.25 kg/ 71.10 lbs	33.25 kg/ 73.30 lbs