

HBLED G3 Series



Condor High Bay LED Lighting fixtures combine high performance LEDs and drivers. The HBLED is the lighting solution for a wide variety of applications and mounting heights. Offering a choice of lumen outputs and color temperatures make the energy-efficient LED Condor the ideal solution for industrial, commercial, and other high bay applications.

Specifications – HBLED85W

Wattage	85W	CRI	80+
CCT	4000K or 5000K	Mount Options	Vclips, 3' Hanging Chains, 5' or 10' Aircraft Cable Kit
Lumens	11,560*	Warranty	5 Years
Voltage	120-277V	Certifications	DLC Premium 5.1 and cULus
Efficacy	135 lm/W*	Starting Temp	-4°F - 122°F

*Efficacy based on 5000K. Data is considered to be representative of the series. Actual production may vary between up to ±10% of initial delivered lumens.



Order Information

High Bay Series HBLED				Example: HBLED85W/5000KFR-G3		
Series	Wattage	CCT	Lens	Generation	Sensor	Mount Options
HBLED	85W 155W	4000K 5000K	FR Frosted Lens	G3	Blank No Sensor MPC-50H Motion Sensor	Blank Vclips only 3CHK 3' Chain ACCK5LP 5' Aircraft Cable ACCK10LP 10' Aircraft Cable
	210W*	5000K		G3 or 4FT		
	300W		G3			

*210W available in G3 body (2' length) or 4FT body (4' length).

Mount Options

Conduit Mount Box



Chain Kit



Surface Mounting



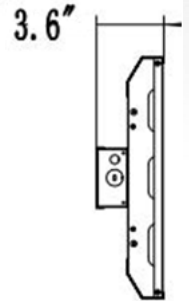
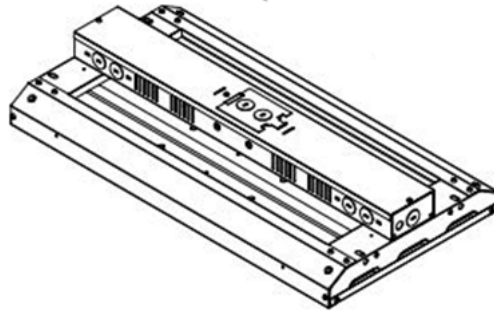
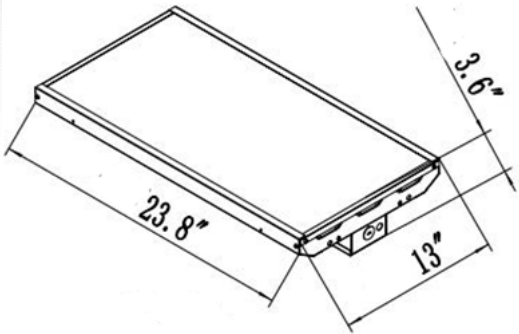
DLC Information

Item	DLC Version	DLC ID	Wattage	Lumens*
HBLED85W/4000KFR-G3	5.1 Premium	S-QXR0SE	85W	11,475
HBLED85W/5000KFR-G3	5.1 Premium	S-ZLVA18	85W	11,560
HBLED155W/4000KFR-G3	5.1 Premium	S-EQ9375	155W	20,925
HBLED155W/5000KFR-G3	5.1 Premium	S-IF5QS9	155W	21,080
HBLED210W/5000KFR-G3	5.1 Premium	S-B70TU9	210W	29,213
HBLED210W/5000KFR-4FT	5.1 Premium	S-E30PNW	210W	28,560
HBLED300W/5000KFR-G3	5.1 Premium	S-D5ZLRF	300W	40,800

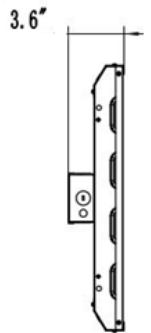
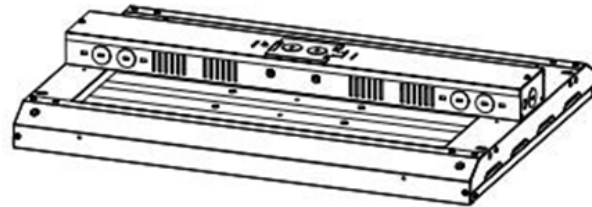
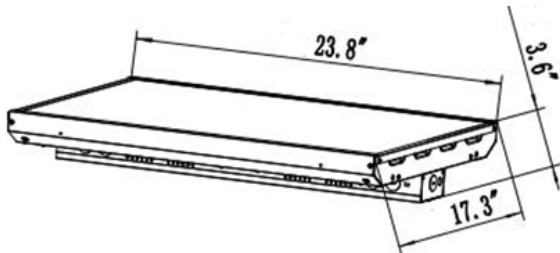
Dimensions

Item	Length	Width	Height	Weight
HBLED85W/4000KFR-G3	23.8"	13"	3.6"	10.12 lbs.
HBLED85W/5000KFR-G3	23.8"	13"	3.6"	10.12 lbs.
HBLED155W/4000KFR-G3	23.8"	13"	3.6"	10.45 lbs.
HBLED155W/5000KFR-G3	23.8"	13"	3.6"	10.45 lbs.
HBLED210W/5000KFR-G3	23.8"	17.3"	3.6"	12.54 lbs
HBLED210W/5000KFR-4FT	45.9"	13"	3.6"	16.28 lbs
HBLED300W/5000KFR-G3	45.9"	13"	3.6"	17.82 lbs

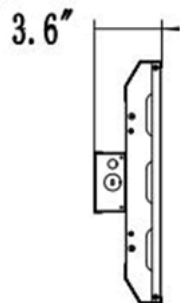
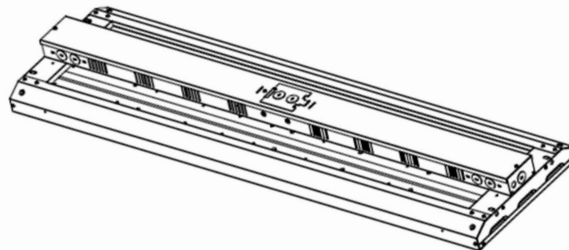
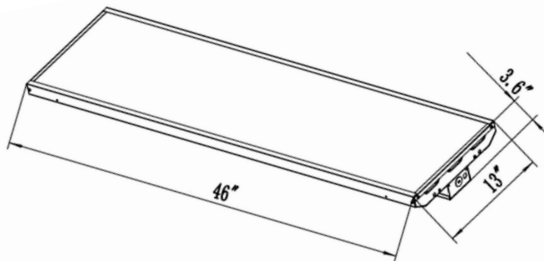
HBLED85W, HBLED155W



HBLED210W

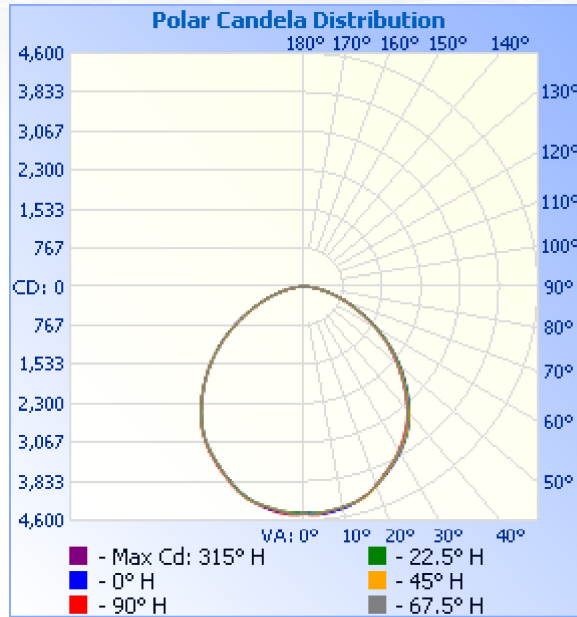


HBLED210W-4FT, HBLED300W



Photometrics

HBLED85W



Lumens Per Zone					
Zone	Lumens	% Total	Zone	Lumens	% Total
0-5	107.0	0.9%	90-95	2.8	0%
5-10	318.1	2.7%	95-100	2.0	0%
10-15	518.0	4.5%	100-105	1.9	0%
15-20	697.8	6.0%	105-110	1.9	0%
20-25	848.0	7.3%	110-115	1.8	0%
25-30	972.3	8.4%	115-120	2.0	0%
30-35	1,064.2	9.1%	120-125	2.0	0%
35-40	1,111.9	9.6%	125-130	2.3	0%
40-45	1,106.2	9.5%	130-135	2.5	0%
45-50	1,056.8	9.1%	135-140	2.6	0%
50-55	968.7	8.3%	140-145	2.7	0%
55-60	843.8	7.3%	145-150	2.6	0%
60-65	689.8	5.9%	150-155	2.6	0%
65-70	531.4	4.6%	155-160	2.4	0%
70-75	379.8	3.3%	160-165	2.2	0%
75-80	236.6	2.0%	165-170	1.9	0%
80-85	115.3	1.0%	170-175	1.2	0%
85-90	30.7	0.3%	175-180	0.4	0%

Zonal Lumen Summary		
Zone	Lumens	% Luminaire
0-30	3,461.1	29.7%
0-40	5,637.2	48.5%
0-60	9,612.6	82.6%
60-90	1,983.6	17%
70-100	767.2	6.6%
90-120	12.4	0.1%
0-90	11,596.2	99.7%
90-180	37.9	0.3%
0-180	11,634.1	100%

Photometrics

HBLED85W

