



INDUSTRIAL AND COMMERCIAL
LIGHTING MFR SINCE 2003

PROJECT NAME _____
ITEM # _____
FIXTURE SCHEDULE _____
NOTES _____

HBLEED G3 Series



Condor High Bay LED Lighting fixtures combine high performance LEDs and drivers. The HBLEED is the lighting solution for a wide variety of applications and mounting heights. Offering a choice of lumen outputs and color temperatures make the energy-efficient LED Condor the ideal solution for industrial, commercial, and other high bay applications.

Specifications – HBLEED300W

Wattage	300W	CRI	80+
CCT	5000K	Mount Options	Vclips, 3' Hanging Chains, 5' or 10' Aircraft Cable Kit
Lumens	40,500*	Warranty	5 Years
Voltage	120-277V	Certifications	DLC Premium v5.1 and cULus
Efficacy	135 lm/W*	Starting Temp	-4°F - 122°F

*Efficacy based on 5000K. Data is considered to be representative of the series. Actual production may vary between up to ±10% of initial delivered lumens.



Order Information

High Bay Series HBLED				Example: HBLED85W/5000KFR-G3		
Series	Wattage	CCT	Lens	Generation	Sensor	Mount Options
HBLED	85W 155W	4000K 5000K	FR Frosted Lens	G3	Blank No Sensor	Blank Vclips only
	210W*	5000K		G3 or 4FT		
	300W		G3	EFS104 Bluetooth Motion Sensor	ACCK5LP 5' Aircraft Cable	ACCK10LP 10' Aircraft Cable

*210W available in G3 body (2' length) or 4FT body (4' length).

Mount Options

Conduit Mount Box



Chain Kit



Surface Mounting



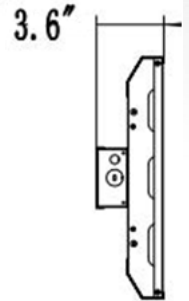
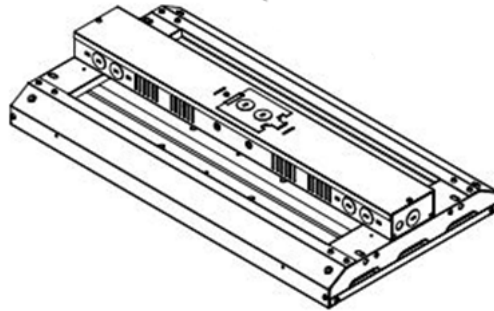
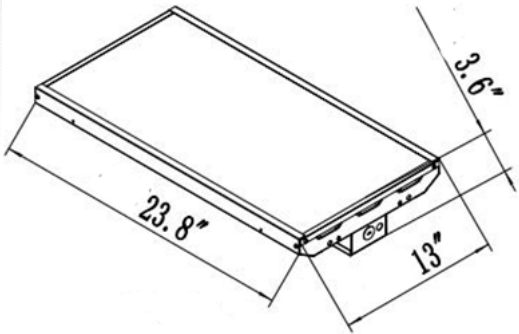
DLC Information

Item	DLC Version	DLC ID	Wattage	Lumens*
HBLED85W/4000KFR-G3	5.1 Premium	S-QXR0SE	85W	11,475
HBLED85W/5000KFR-G3	5.1 Premium	S-ZLVA18	85W	11,560
HBLED155W/4000KFR-G3	5.1 Premium	S-EQ9375	155W	20,925
HBLED155W/5000KFR-G3	5.1 Premium	S-IF5QS9	155W	21,080
HBLED210W/5000KFR-G3	5.1 Premium	S-B70TU9	210W	29,213
HBLED210W/5000KFR-4FT	5.1 Premium	S-E30PNW	210W	28,560
HBLED300W/5000KFR-G3	5.1 Premium	S-D5ZLRF	300W	40,800

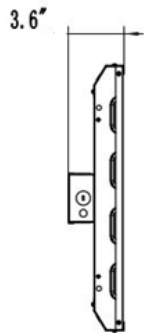
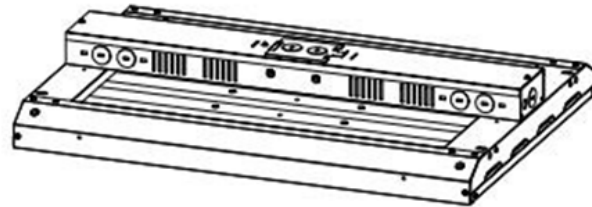
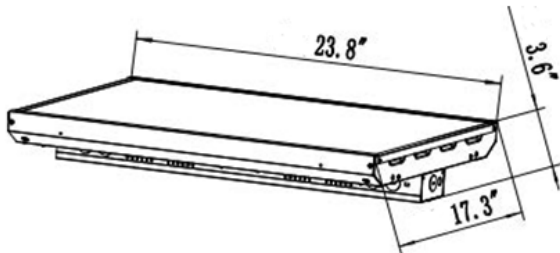
Dimensions

Item	Length	Width	Height	Weight
HBLED85W/4000KFR-G3	23.8"	13"	3.6"	10.12 lbs.
HBLED85W/5000KFR-G3	23.8"	13"	3.6"	10.12 lbs.
HBLED155W/4000KFR-G3	23.8"	13"	3.6"	10.45 lbs.
HBLED155W/5000KFR-G3	23.8"	13"	3.6"	10.45 lbs.
HBLED210W/5000KFR-G3	23.8"	17.3"	3.6"	12.54 lbs
HBLED210W/5000KFR-4FT	45.9"	13"	3.6"	16.28 lbs
HBLED300W/5000KFR-G3	45.9"	13"	3.6"	17.82 lbs

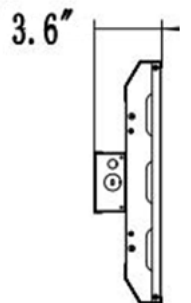
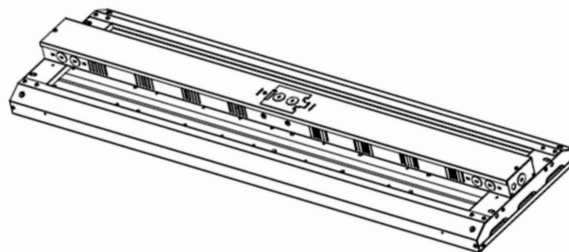
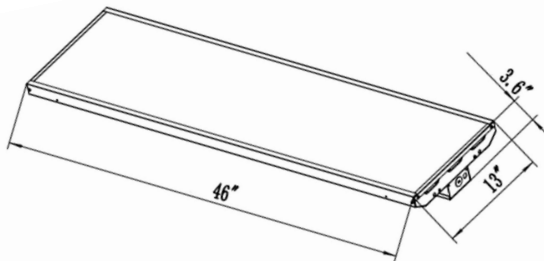
HBLED85W, HBLED155W



HBLED210W

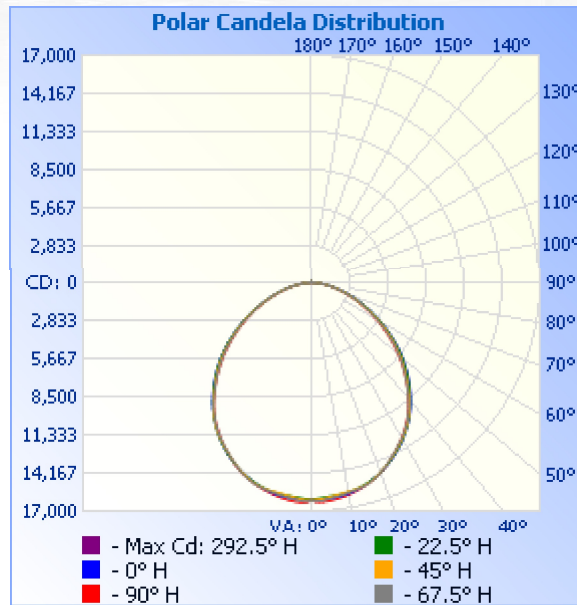


HBLED210W-4FT, HBLED300W



Photometrics

HBLED300W/5000KFR-G3



Lumens Per Zone

Zone	Lumens	% Total	Zone	Lumens	% Total
0-5	387.3	0.9%	90-95	8.6	0%
5-10	1,150.7	2.7%	95-100	6.8	0%
10-15	1,872.3	4.5%	100-105	6.2	0%
15-20	2,522.2	6.0%	105-110	6.0	0%
20-25	3,075.0	7.3%	110-115	6.2	0%
25-30	3,516.6	8.4%	115-120	6.4	0%
30-35	3,828.2	9.1%	120-125	7.3	0%
35-40	3,984.1	9.5%	125-130	8.2	0%
40-45	3,961.2	9.4%	130-135	9.2	0%
45-50	3,785.7	9.0%	135-140	9.7	0%
50-55	3,467.7	8.3%	140-145	10.0	0%
55-60	3,021.9	7.2%	145-150	9.9	0%
60-65	2,500.3	6.0%	150-155	9.7	0%
65-70	1,941.5	4.6%	155-160	9.2	0%
70-75	1,392.6	3.3%	160-165	8.3	0%
75-80	875.5	2.1%	165-170	6.9	0%
80-85	413.6	1.0%	170-175	4.4	0%
85-90	97.4	0.2%	175-180	1.5	0%

Zonal Lumen Summary

Zone	Lumens	% Luminaire
0-30	12,524.1	29.9%
0-40	20,336.5	48.5%
0-60	34,573.0	82.5%
60-90	7,221.0	17.2%
70-100	2,794.6	6.7%
90-120	40.2	0.1%
0-90	41,794.0	99.7%
90-180	134.4	0.3%
0-180	41,928.4	100%

Photometrics

HBLED300W/5000KFR-G3

