

# HBLED G3 Series



Condor High Bay LED Lighting fixtures combine high performance LEDs and drivers. The HBLED is the lighting solution for a wide variety of applications and mounting heights. Offering a choice of lumen outputs and color temperatures make the energy-efficient LED Condor the ideal solution for industrial, commercial, and other high bay applications.

## Specifications – HBLED155W

Wattage	155W	CRI	80+
CCT	4000K or 5000K	Mount Options	Vclips, 3' Hanging Chains, 5' or 10' Aircraft Cable Kit
Lumens	21,080*	Warranty	5 Years
Voltage	120-277V	Certifications	DLC Premium 5.1 and cULus
Efficacy	135 lm/W*	Starting Temp	-4°F - 122°F

\*Efficacy based on 5000K. Data is considered to be representative of the series. Actual production may vary between up to ±10% of initial delivered lumens.



## Order Information

High Bay Series HBLED				Example: HBLED85W/5000KFR-G3		
Series	Wattage	CCT	Lens	Generation	Sensor	Mount Options
HBLED	85W 155W	4000K 5000K	<b>FR</b> Frosted Lens	G3	<b>Blank</b> No Sensor  <b>MPC-50H</b> Motion Sensor	<b>Blank</b> Vclips only  <b>3CHK</b> 3' Chain  <b>ACCK5LP</b> 5' Aircraft Cable  <b>ACCK10LP</b> 10' Aircraft Cable
	210W*	5000K		G3 or 4FT		
	300W		G3			

\*210W available in G3 body (2' length) or 4FT body (4' length).

## Mount Options

Conduit Mount Box



Chain Kit



Surface Mounting



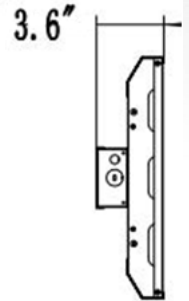
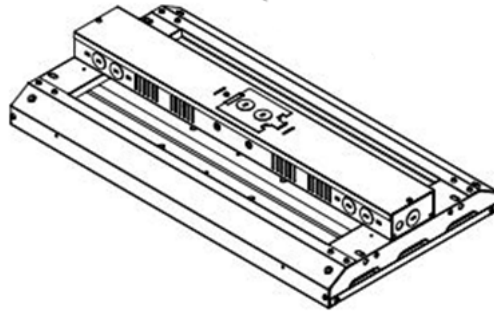
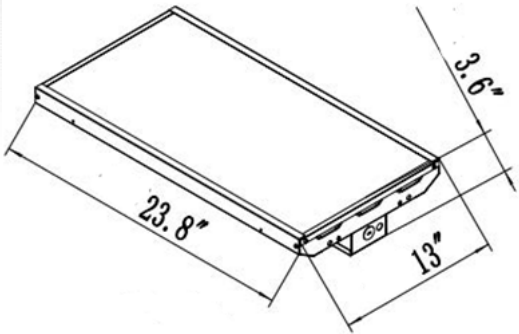
## DLC Information

Item	DLC Version	DLC ID	Wattage	Lumens*
HBLED85W/4000KFR-G3	5.1 Premium	S-QXR0SE	85W	11,475
HBLED85W/5000KFR-G3	5.1 Premium	S-ZLVA18	85W	11,560
HBLED155W/4000KFR-G3	5.1 Premium	S-EQ9375	155W	20,925
HBLED155W/5000KFR-G3	5.1 Premium	S-IF5QS9	155W	21,080
HBLED210W/5000KFR-G3	5.1 Premium	S-B70TU9	210W	29,213
HBLED210W/5000KFR-4FT	5.1 Premium	S-E30PNW	210W	28,560
HBLED300W/5000KFR-G3	5.1 Premium	S-D5ZLRF	300W	40,800

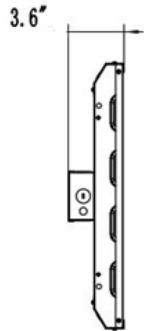
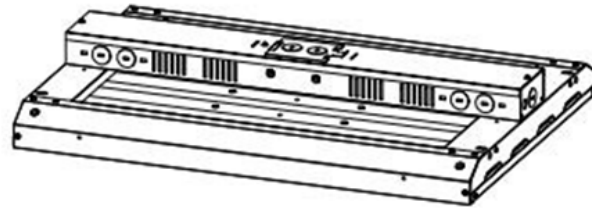
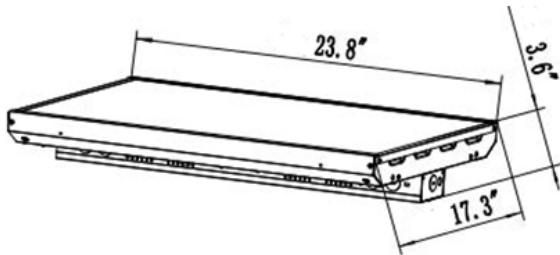
## Dimensions

Item	Length	Width	Height	Weight
HBLED85W/4000KFR-G3	23.8"	13"	3.6"	10.12 lbs.
HBLED85W/5000KFR-G3	23.8"	13"	3.6"	10.12 lbs.
HBLED155W/4000KFR-G3	23.8"	13"	3.6"	10.45 lbs.
HBLED155W/5000KFR-G3	23.8"	13"	3.6"	10.45 lbs.
HBLED210W/5000KFR-G3	23.8"	17.3"	3.6"	12.54 lbs
HBLED210W/5000KFR-4FT	45.9"	13"	3.6"	16.28 lbs
HBLED300W/5000KFR-G3	45.9"	13"	3.6"	17.82 lbs

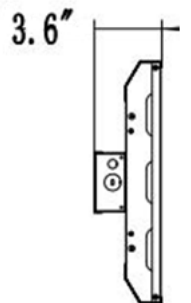
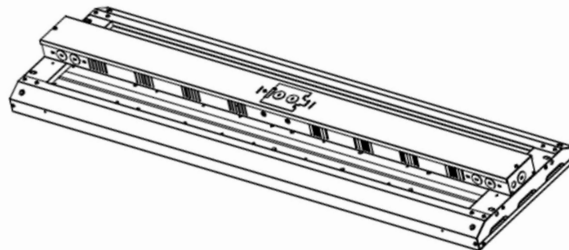
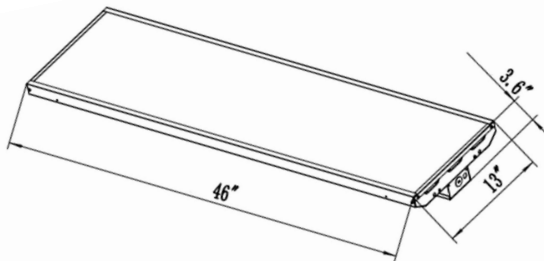
**HBLED85W, HBLED155W**



**HBLED210W**

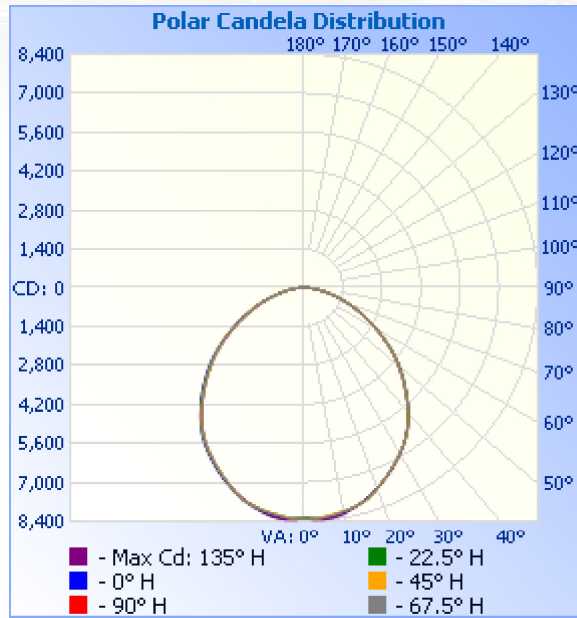


**HBLED210W-4FT, HBLED300W**



# Photometrics

HBLED155W



Lumens Per Zone					
Zone	Lumens	% Total	Zone	Lumens	% Total
0-5	198.8	0.9%	90-95	6.3	0%
5-10	590.4	2.8%	95-100	4.1	0%
10-15	959.8	4.5%	100-105	3.6	0%
15-20	1,290.3	6.0%	105-110	3.5	0%
20-25	1,565.1	7.3%	110-115	3.5	0%
25-30	1,788.0	8.3%	115-120	3.5	0%
30-35	1,951.3	9.1%	120-125	3.7	0%
35-40	2,031.9	9.5%	125-130	4.1	0%
40-45	2,016.4	9.4%	130-135	4.6	0%
45-50	1,928.6	9.0%	135-140	4.8	0%
50-55	1,775.8	8.3%	140-145	4.8	0%
55-60	1,548.3	7.2%	145-150	4.7	0%
60-65	1,277.7	6.0%	150-155	4.6	0%
65-70	1,000.4	4.7%	155-160	4.4	0%
70-75	722.1	3.4%	160-165	4.0	0%
75-80	454.8	2.1%	165-170	3.4	0%
80-85	226.8	1.1%	170-175	2.2	0%
85-90	62.4	0.3%	175-180	0.7	0%

Zonal Lumen Summary		
Zone	Lumens	% Luminaire
0-30	6,392.4	29.8%
0-40	10,375.6	48.4%
0-60	17,644.8	82.2%
60-90	3,744.1	17.4%
70-100	1,476.4	6.9%
90-120	24.4	0.1%
0-90	21,388.9	99.7%
90-180	70.4	0.3%
0-180	21,459.2	100%

# Photometrics

HBLED155W

