



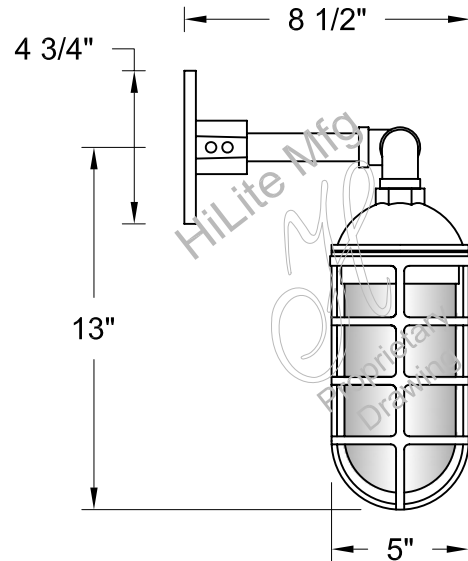
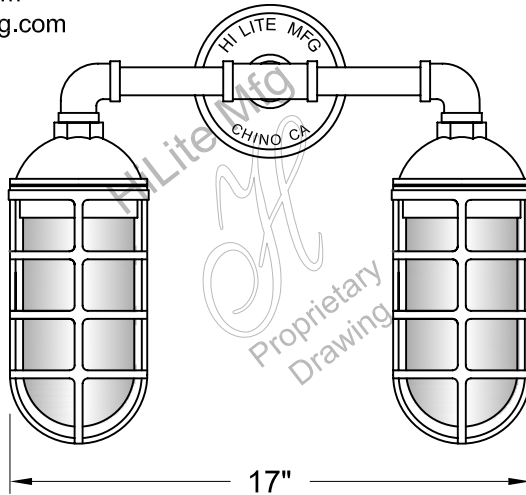
H-LCGU-2B

Saucer Vapor Jar Collection

**HI-LITE MFG.
CO., INC**

13450 Monte Vista Avenue
Chino, California 91710
Telephone: (909) 465-1999
Toll Free: (800) 465-0211
Fax: (909) 465-0907
web: www.hilitemfg.com
e-mail: sales@hilitemfg.com

Job Name:
Type:
Quantity:



FINISH -Offered in exceptional finishes, comprised of: polyester/polished powder coat, baking enamel liquid, raw metal, or galvanized finishes.

Standard Finishes are: 91(Black), 93(White), 95(Dark Green), 96(Galvanized), BR47(Powder Coat Rust), BK01(Black Texture), GN20(Powder Coat Patina).

Upgraded Finishes are: 29, 66, 82, 90, 92, 94, 97, 99, 100, 103, 104, 105, 110, 112, 113, 114, 115, 117, 118, 119, 120, 127, 128, 129, 133, 134, 135, 136, 98, 101, 102, 137, 138, 139, 140, 121, 122, 123, 124, 125, 126, 11, 01, 22, 25, 33, 77, 89, 24, 44, 48, 49.

For interior finish of fixture refer to color chart on pages 344-348.

MOUNTING - Wall Mount.

LENS OPTION - CLR(Clear), RIB(Clear Ribbed), FR(Frost), RD(Red), BL(Blue), GRN(Green), AM(Amber) and AMC(Amber Crackle) available.

SOCKETS/LAMPS - Available in:

- Incandescent
 - rated 2-200 watt max/120 volt, medium base.
- Compact Fluorescent(CFL)
 - rated 2-13/18/26/32/42/57 watt max/120/277 volt, GX24Q base.
- Metal Halide(MH)
 - rated 2-35/50/70/100/150/175 watt max/120/208/240/277 volt, medium base, 4KV socket.
- High Pressure Sodium(HPS)
 - rated 2-50/70/100/150 watt max/120/277 volt, medium base.

MADE IN THE U.S.A.

Suitable for wet location.
(Except when cord mounted)

