



# HI-LITE MFG. CO., INC.

13450 Monte Vista Avenue  
Chino, California 91710  
Telephone: (909) 465-1999  
Toll Free: (800) 465-0211  
Fax: (909) 465-0907  
www.hilitemfg.com

Job Name: \_\_\_\_\_  
Type: \_\_\_\_\_  
Quantity: \_\_\_\_\_

Item Number	Height (A)	Width (B)	Projection (C)
H-CGU-1B	10"	4"	8"
H-CGU-10-1B	10"	10"	11 1/2"
H-LCGU-1B	13"	5"	10 3/4"
H-LCGU-14-1B	13"	13"	15 1/2"

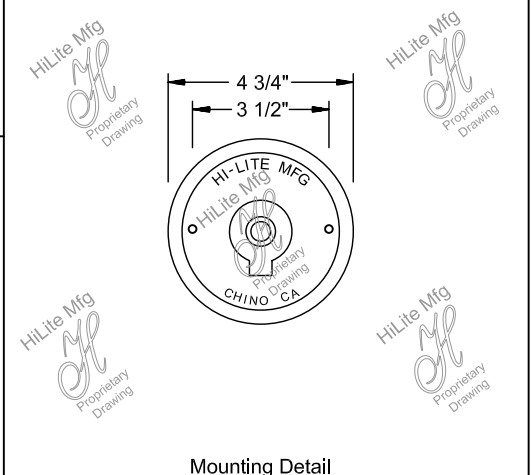
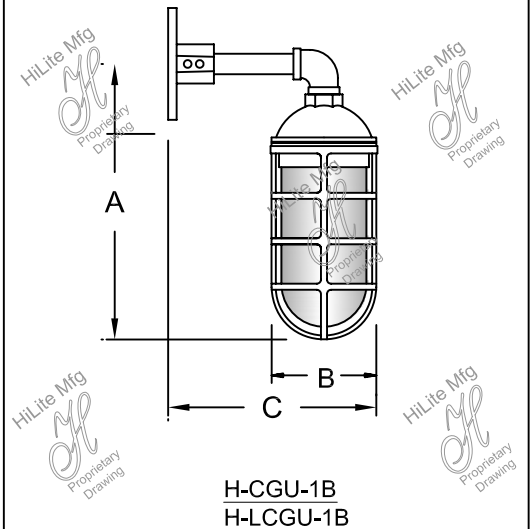
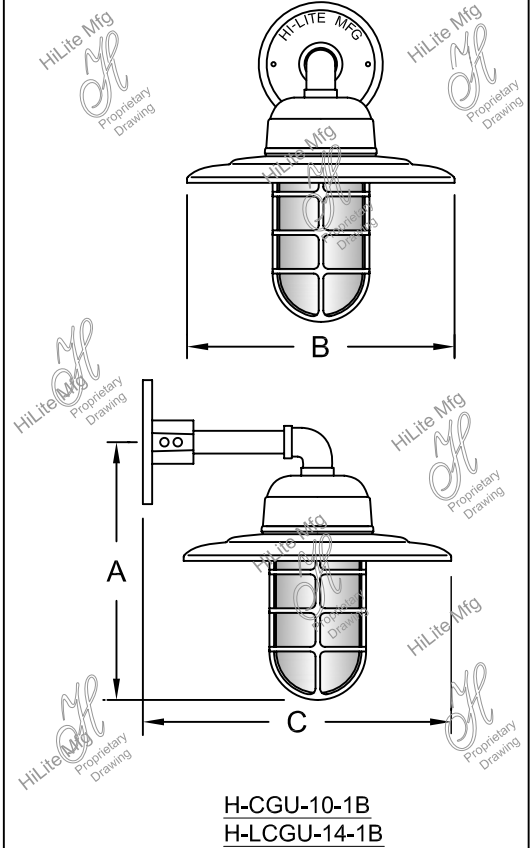
**For Wall Mount Only**

Fixture No.	Fixture Color	Glass Color	Wattage/Lamp options	Ballast	Voltage
<b>H-CGU-1B<sup>(1)</sup></b> <b>H-CGU-10-1B<sup>(1)</sup></b> <b>H-LCGU-1B<sup>(1)</sup></b> <b>H-LCGU-14-1B<sup>(1)</sup></b>	Standard 91 (Black) 93 (White) 95 (Dk. Gm) 96 (Galv.) BR47 (Rust) BK01, GN20.  Upgraded Finishes <sup>(2)</sup> 29, 66, 82, 90, 92, 94, 97, 99, 100, 103, 104, 105, 110, 112, 113, 114, 115, 117, 118, 119, 120, 127, 128, 129, 133, 134, 135, 136, 98, 101, 102, 137, 138, 139, 140, 121, 122, 123, 124, 125, 126, 11, 01, 22, 25, 33, 77, 89, 24, 44, 48, 49.  For finish specs see pages 344-348.	<b>CLR</b> (Clear) <b>RIB</b> (Clear Ribbed) <b>FR</b> (Frost) <b>RD</b> (Red) <b>BL</b> (Blue) <b>GRN</b> (Green) <b>AM</b> (Amber) <b>AMC</b> (Amber Crackle)	Incandescent <sup>(1) (4)</sup> (Fixture is standard 100W or 200W. Do not specify.)  CFL <sup>(1) (4)</sup> (Compact Fluorescent) 13/CFL 18/CFL 26/32/42/CFL 26/CFL 32/CFL 42/CFL 57/CFL  DMB (Dimmable Ballast for CFL. Add to Part No.)  HID <sup>(1)</sup> (High Intensity Discharge)  MH <sup>(1) (4)</sup> (Metal Halide) 35/MH 50/MH 70/MH 100/MH 150/MH 175/MH  HPS <sup>(1) (4)</sup> (High Pressure Sodium) 50/HPS 70/HPS 100/HPS 150/HPS  LED 20W 30W	Ballast option not available for INC.  <b>RB</b> <sup>(3)</sup> (Remote)  <b>BCM</b> (Canopy Mount)  For specs see pages 341-343.	Incandescent (Fixture is standard 120V. Do not specify.)  CFL <b>M</b> (Multi 120/277V)  HID RB and BCM <b>M</b> (Multi 120/208/240/277V)
			LED See specifications for complete part number.	LED See specifications for complete part number.	LED See specifications for complete part number.

H-CGU-1B - 91 - CLR / 13/CFL - BCM - M

**ORDER EXAMPLE**  
(USE THIS FORMAT TO PLACE ORDER)

## Saucer Vapor Jar Collection



### Notes:

- (1) H-CGU-1B and H-CGU 10-1B available for 100W Max INC, 32W Max CFL and 100W Max HID. H-LCGU-1B and H-LGCU-14-1B available for 200W Max INC, 57W Max CFL and 175W Max HID. Above fixtures available with WGU wireguard.
- (2) Casting will be painted to match copper or brass finishes.
- (3) (RB) Remote Ballast not available for Fluorescent Lamping.
- (4) Socket Bases: INC and HID are medium base, CFL are GX24Q.

Suitable for wet location.

Mounting Detail