



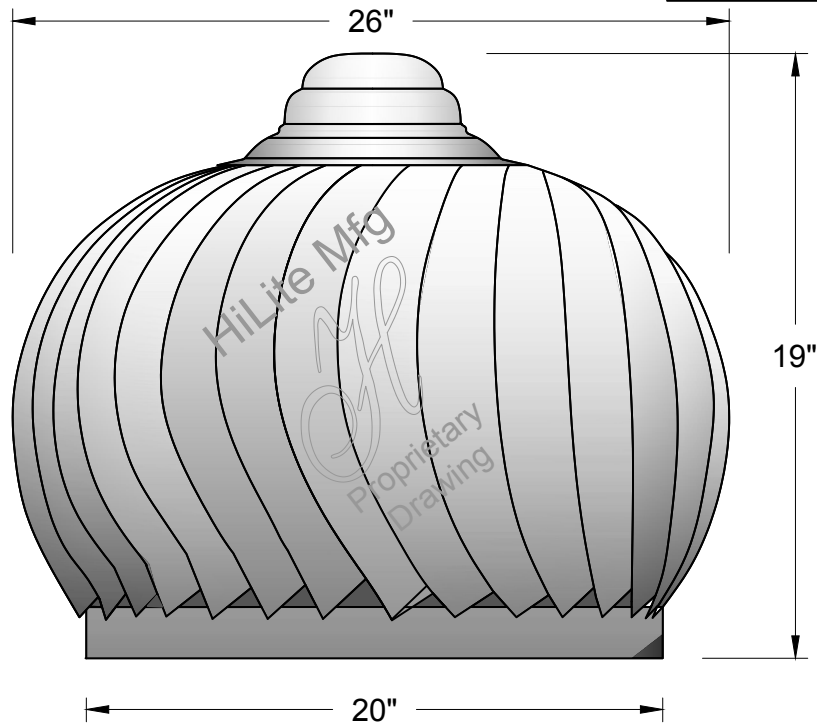
H-3052 Ventilator Collection

Job Name:	_____
Type:	_____
Quantity:	_____

HI-LITE MFG.

CO., INC

13450 Monte Vista Avenue
 Chino, California 91710
 Telephone: (909) 465-1999
 Toll Free: (800) 465-0211
 Fax: (909) 465-0907
 web: www.hilitemfg.com
 e-mail: sales@hilitemfg.com



FINISH - Offered in exceptional finishes, comprised of: polyester/polished powder coat, baking enamel liquid, raw metal, or galvanized finishes.

Standard Finishes are: 91(Black), 93(White), 95(Dark Green), 96(Galvanized), BR47(Powder Coat Rust), BK01(Black Texture), GN20(Powder Coat Patina).

Upgraded Finishes are: 29, 66, 82, 90, 92, 94, 97, 99, 100, 103, 104, 105, 110, 110, 112, 113, 114, 115, 117, 118, 119, 120, 127, 128, 129, 133, 134, 135, 136, 11, 138, 139, 140, 121, 122, 123, 124, 125, 126, 22, 33, 77, 16, 55.

For interior finish of fixture refer to color chart on pages 344-348.

MOUNTING - Cord, Stem, Arm, and Flush mounting available.

ACCESSORIES - CGU(Cast Guard and Glass), LCGU(Large Cast Guard and Glass), WGU(Wire Guard and Glass), LWGU(Large Wire Guard and Glass), ARN(Acorn Globe), LARN(Large Acorn Globe), WGR(Wire Guard), SK(Swivel Knuckle) and FX(Flexible tubing for cord mounted fixture only) available.

SOCKETS/LAMPS - Available in:

Incandescent

- rated 200 watt max/120 volt, medium base.

Compact Fluorescent(CFL)

- rated 13/18/26/32/42/57 watt max/120/277 volt, GX24Q base.

Metal Halide(MH)

- rated 35/50/70/100/150/175 watt max/120/208/240/277 volt, medium base, 4KV socket.

High Pressure Sodium(HPS)

- rated 50/70/100/150 watt max/120/277 volt, medium base.

Light-Emitted Diode(LED)

-See LED specification sheet.

MADE IN THE U.S.A.

Suitable for wet location.
 (Except when cord mounted)

