



CGI P/N: GR-3/32-LP
 Revision:
 Vendor Ref. #:
 Customer:
 Customer P/N:

LOOPING GRIPPER

Patent #D629,803S

Applications

Lighting Products, Mechanical, & HVAC

Features

Looping Gripper securely locks aircraft cable in a loop, & allows for quick tool-less adjustment

Material

Brass, with Steel Ball Bearings

Finish

Bright Nickel Plated

Cable Dimension

Accepts aircraft cable diameter in inches:

- ☒ 3/32" ☒ 5/64"

Safe Working Load at 5:1 Safety Factor

Specifications (US pounds) for 7x7 galvanized cable

3/32" Cable: 150 lbs.

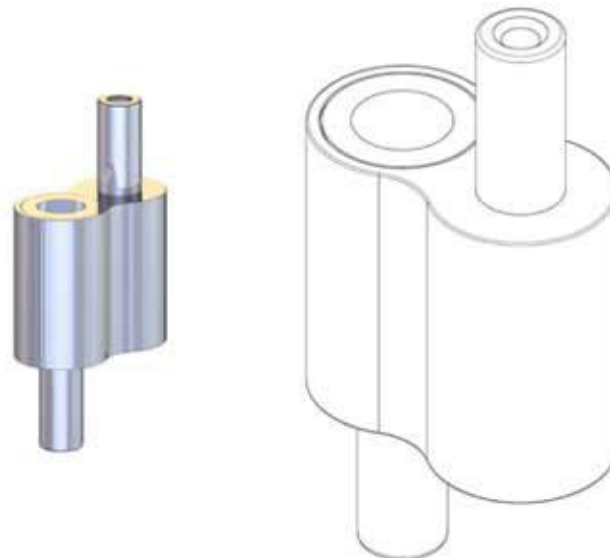
5/64" Cable: 118 lbs.

Cable Adjustment

Relieve load from cable, press plunger, & adjust cable height. Release plunger and Looping Gripper locks the cable.

Installation Notes

Looping Gripper must maintain a minimum 2 inch distance from all suspended objects / support structures.



Tool-less Adjustment

