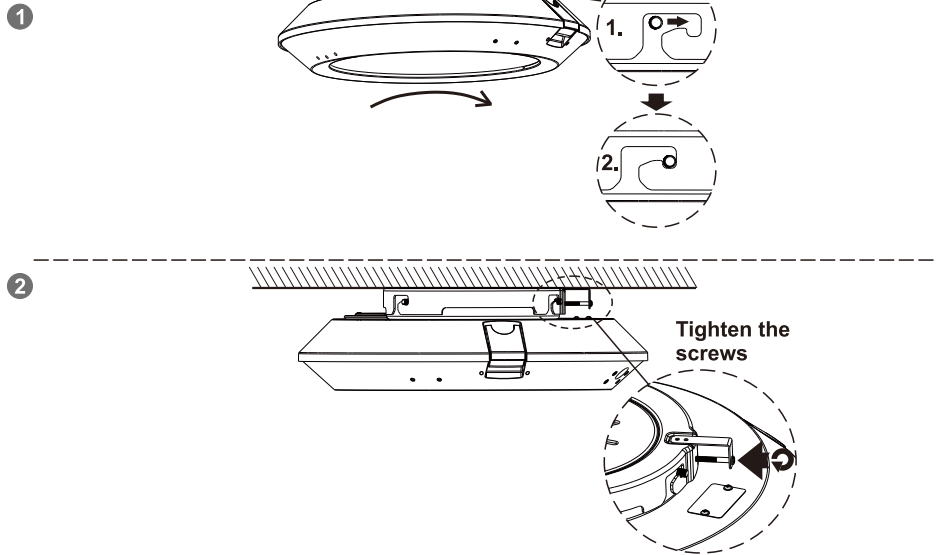


4. ✕



Product Specifications	30W	50W	60W
Input Voltage	120-277VAC		
Power Frequency	50/60Hz		
Outlook Dimensions	Ø400x81mm (Ø15.75"x3.19")		
Net Weight (±0.3kg/±0.66Lbs)	Single Strut Mounting	6.8kg (15.0Lbs)	
	Twin Strut Mounting		
	Straight-Arm Mount		
	Post Top Mounting/ Side Entry Mounting	6.5kg (14.3Lbs)	
	Gooseneck Mounting	5.8kg (12.8Lbs)	
	Conduit Mounting	5.6kg (12.4Lbs)	
	Surface Mounting	6.2kg (13.7Lbs)	
	Wall Mounting	5.8kg (12.8Lbs)	
Projected Area	0.11m ² (1.2ft ²)		
Working Temperature	-30°C to +50°C (-22°F to +122°F)		
Storing Temperature	-40°C to +70°C (-40°F to +158°F)		

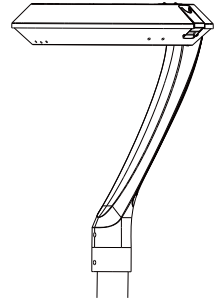
L	brown	black
N	blue	white
⊕ GND	yellow/green	green

- Please make sure the luminaire is properly grounded.
- The light source contained in this luminaire shall only be replaced by the manufacturer or his service agent or a similar qualified person.

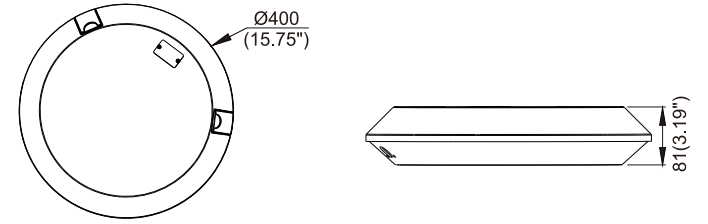
POST DISK LIGHT

WESTGATE
THE FUTURE IS HERE... AND IT'S QUITE BRIGHT!

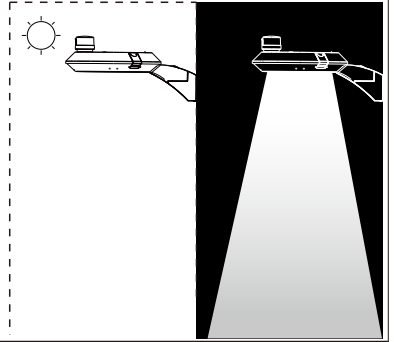
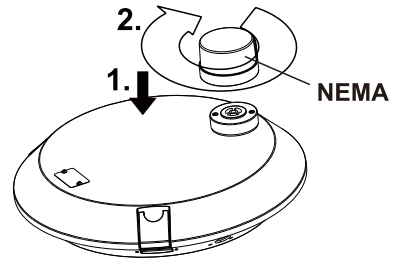
Installation Instructions



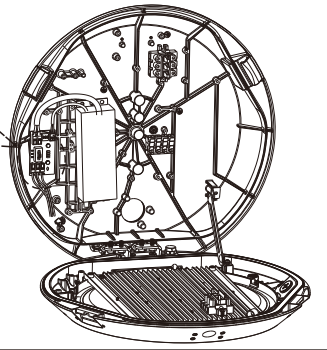
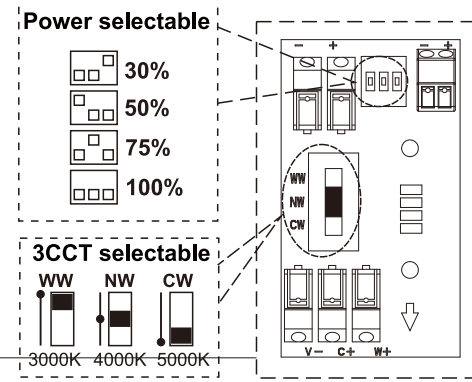
Physical Dimensions(Unit: mm/inch)



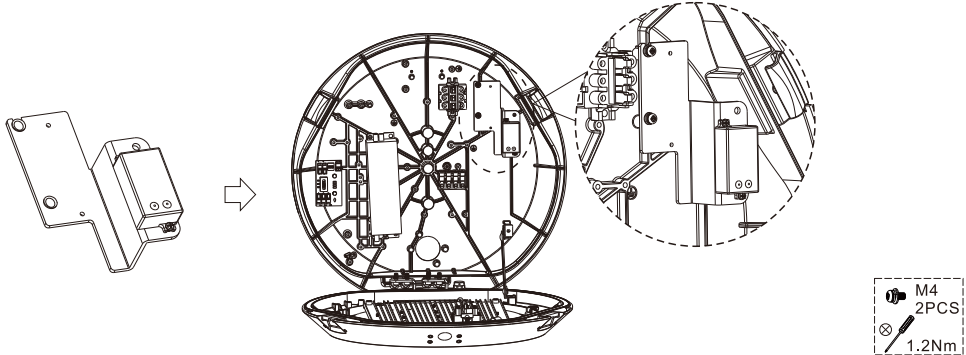
Twist Lock Photocell(Optional)



3 CCT+ 4 Power Selectable(Optional)

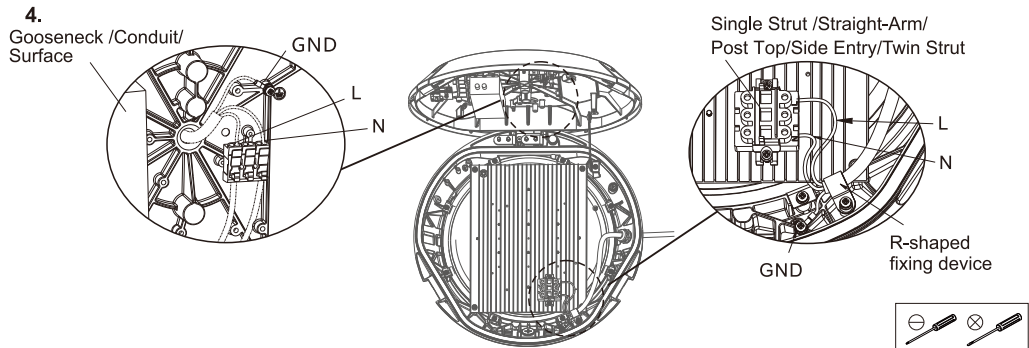
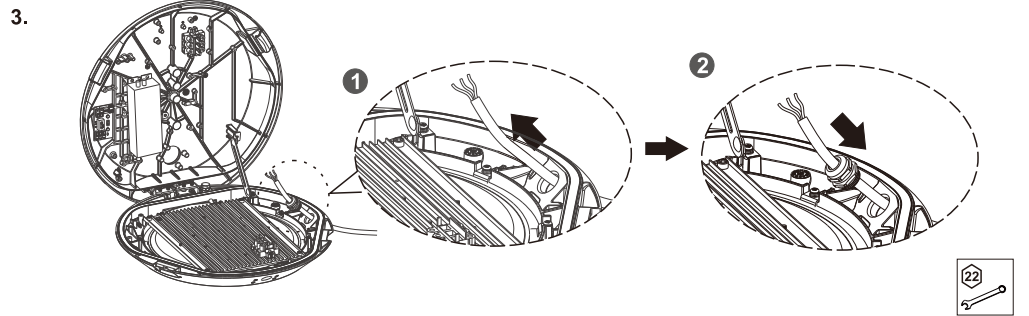
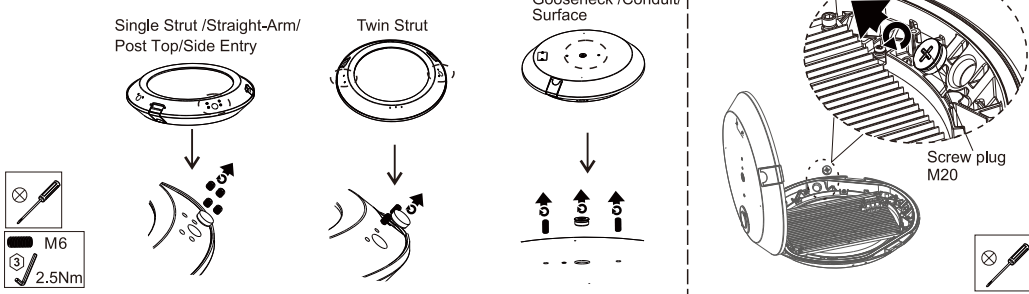


Microwave Sensor Bracket Kits(Optional)

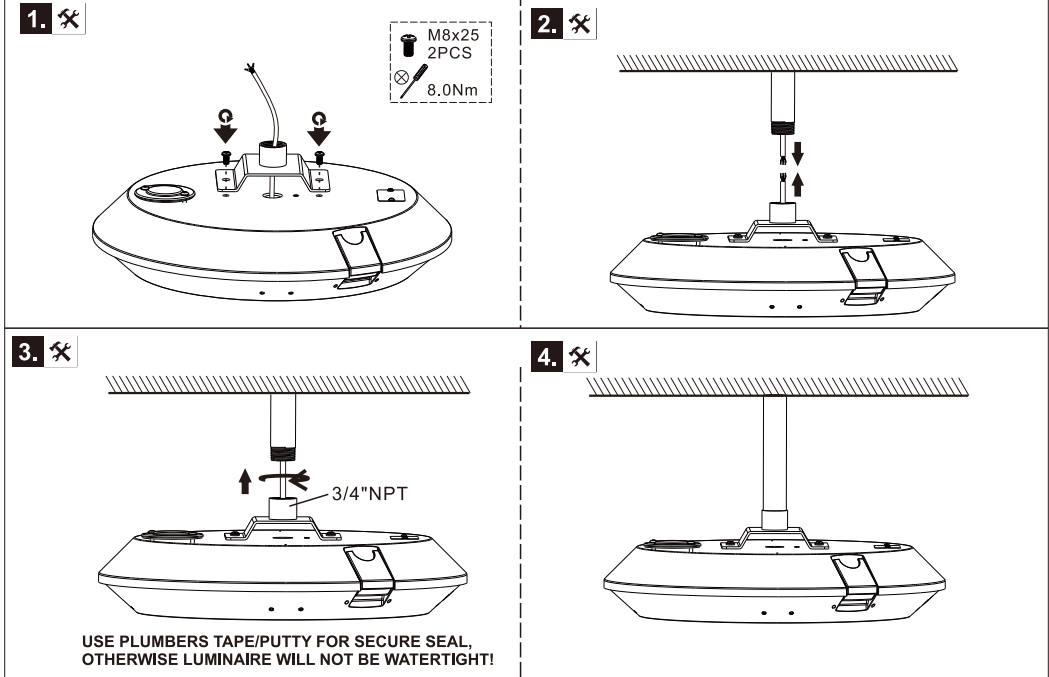


AC Cable Installation Procedure

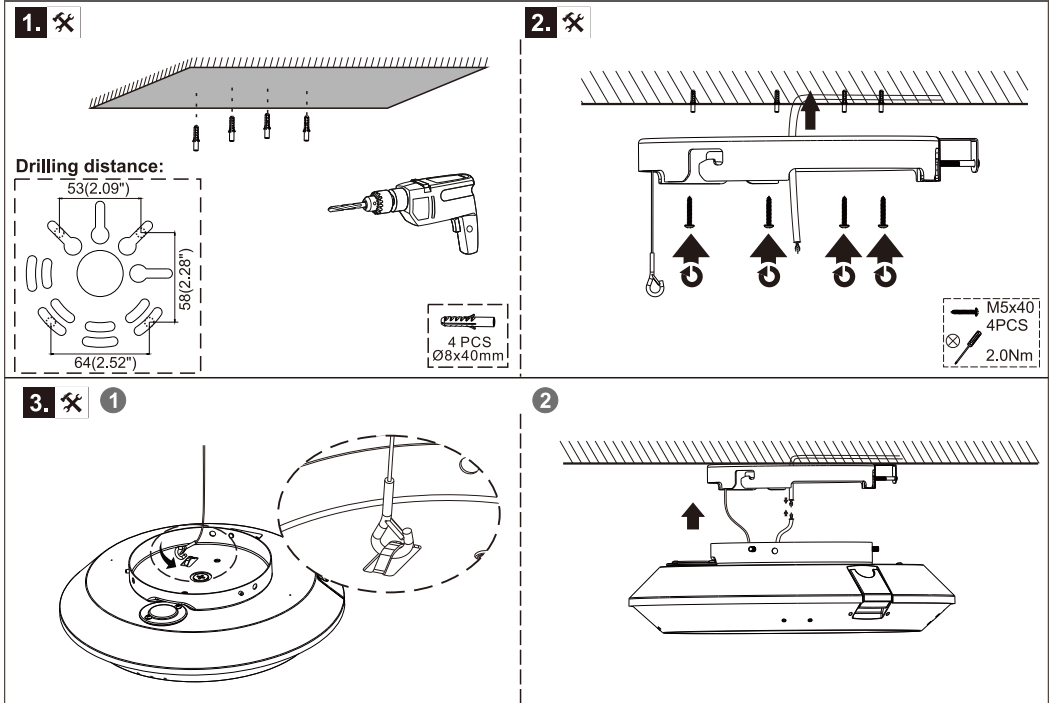
1. Remove screw and silicone plug



Conduit Mounting (Unit: mm/inch)

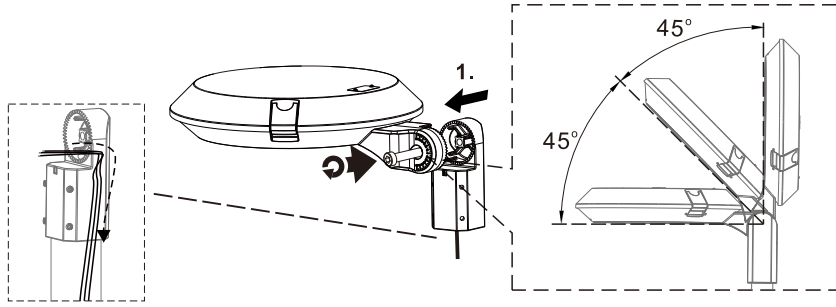


Surface Mounting (Unit: mm/inch)

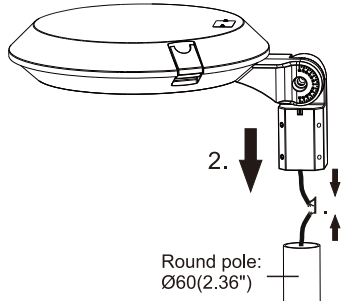


2. ✖

M12x35
1PCS
29Nm

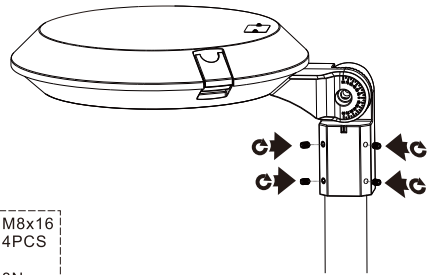


3. ✖



4. ✖

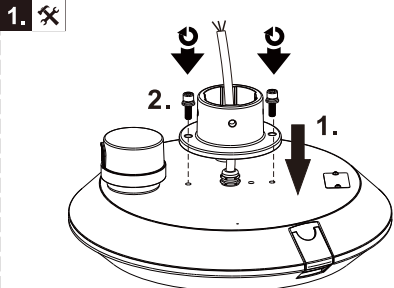
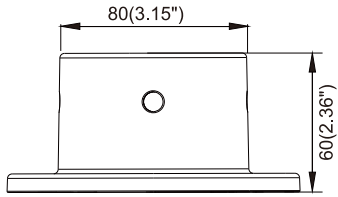
M8x16
4PCS
8Nm



Gooseneck Mounting (Unit: mm/inch)

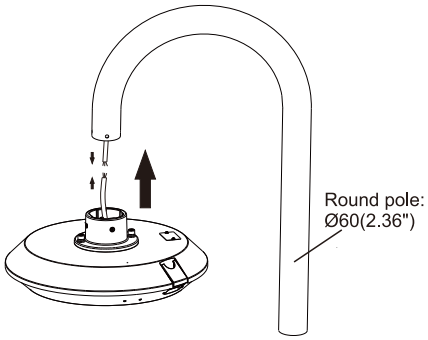
1. ✖

M8x25
2PCS
8Nm

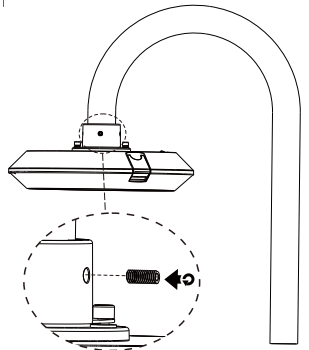


2. ✖

M10x16
4PCS
17Nm



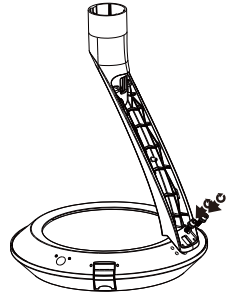
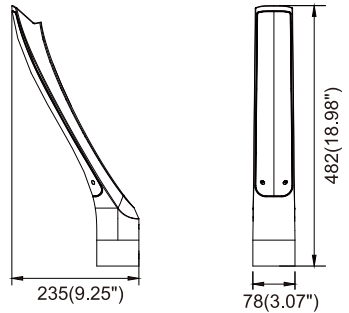
3. ✖



Single Strut Mounting (Unit: mm/inch)

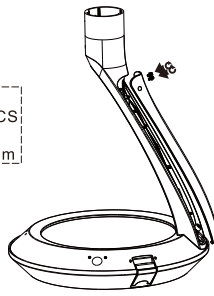
1. ✖

M8
2PCS
8.0Nm

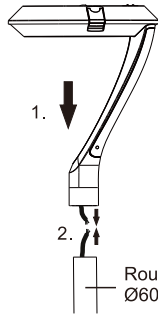


2. ✖

M4
2PCS
1.2Nm

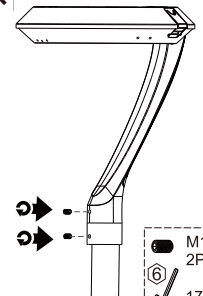


3. ✖



4. ✖

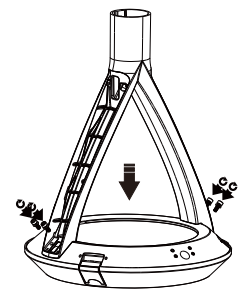
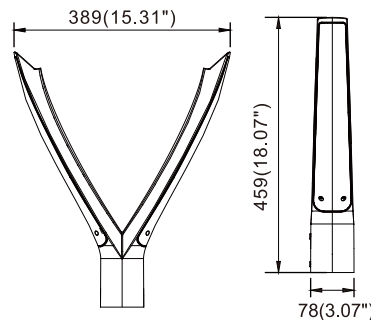
M10x16
2PCS
17Nm



Twin Strut Mounting (Unit: mm/inch)

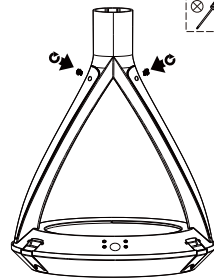
1. ✖

M6
4PCS
8.0Nm

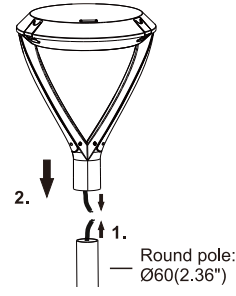


2. ✖

M4
4PCS
1.2Nm

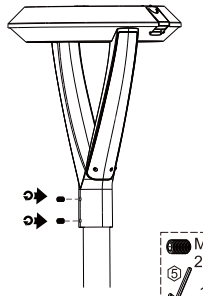


3. ✖

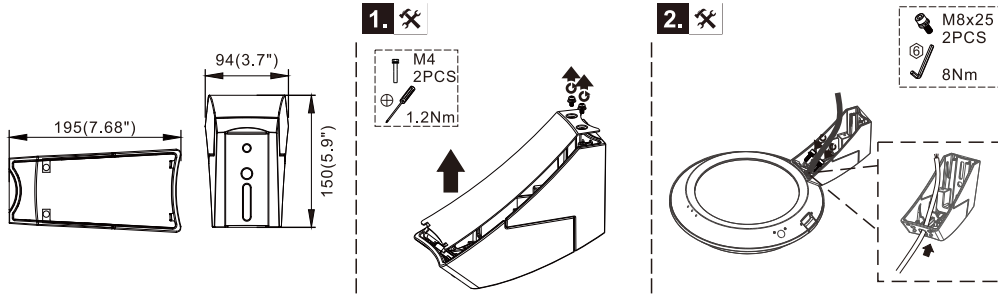


4. ✖

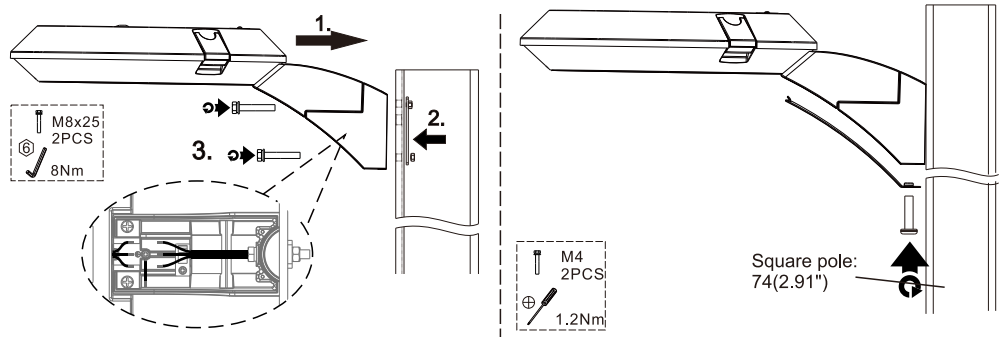
M10x16
2PCS
17Nm



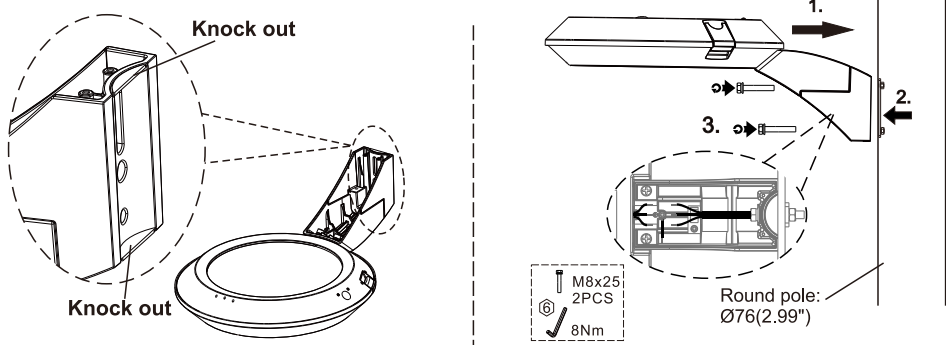
Straight-Arm Mounting (Unit: mm/inch)



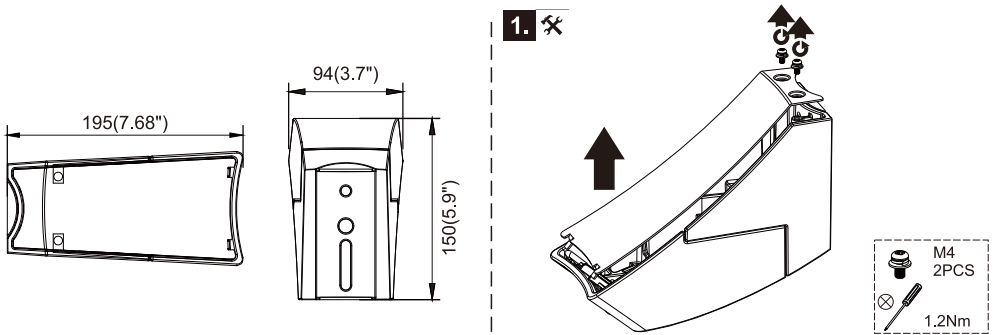
3. ✂ Square pole installation



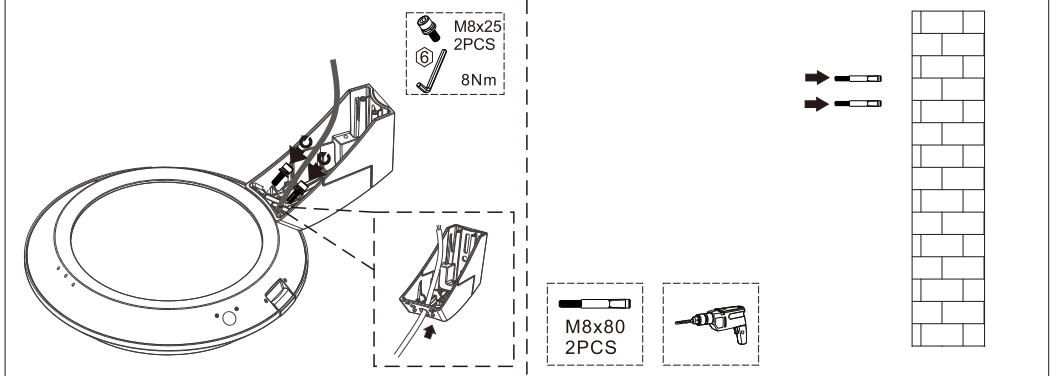
Round pole installation



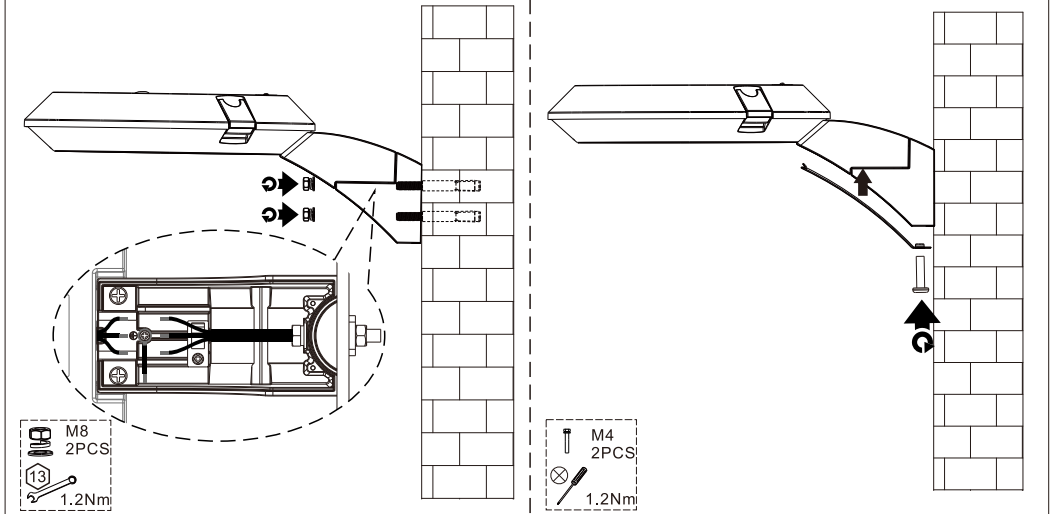
Wall Mounting (Unit: mm/inch)



2. ✂



4. ✂



Post Top Mounting/Side Entry Mounting (Unit: mm/inch)

