

AS201Q L70
25°C 457,000 Hours

Astor Small Bell with Shade and Gooseneck Arm

The LEPC AS20 LEDicated Astor Small Bell Gooseneck LEDlight luminaire is available with 5 Gooseneck arms of various lengths and is designed to replace HID lighting systems up to 175w MH or HPS. This decorative fixture with prismatic spread lens and glare shade is ideal for retail centers, industrial parks, schools and universities, public transit and airports, office buildings and medical facilities. Designed for architectural wall mounting up to heights of 20 feet based on light level and uniformity requirements.

AS20Q Specifications and Features:



Dimensions

| | |
|--------------------------|---------------|
| Base Diameter (B) | 4¼" (108mm) |
| Length (A) | 43½" (1099mm) |
| Height (C) | 23¾" (591mm) |

See Page 2 for Features and Arm Dimensions

Step 1: Select AS20Q Luminaire

Order Information Example: AS201QF1X23U5KCPGNFSF

| AS201Q | F | 1X23 | U | 5K | C | | | |
|---|----------|----------|------------|----------|------------------------------|---|---|----------------------------------|
| Model | Optics | Wattage | Driver | CCT | Lens | Color | Mounting | Options |
| AS201Q= EasyLED Small Astor Bell with Shade | F=Type V | 1X23=23w | U=120-277V | 5K=5000K | C=Clear Prismatic Array Lens | B=Black, RAL9011 P=Platinum, RAL9006 R=Red, RAL3020 W=White, RAL9016 C=Custom (Consult Factory) | GNF=Fixed Downlight, Includes 72" of Wire for Arm Feed Through to Wall Box GNS=Adjustable Swivel Includes 72" of Wire for Arm Feed Through to Wall Box | SF=Single Fuse DF=Double Fuse |

Step 2: Select Arm

Order Information Example: GNA01336PR

| Model | Length | Color | Mounting |
|--------------------------|--------------------------------------|---|--|
| GNA013 - Classic Hook | 36=36" 30=30" | B=Black, RAL9011 P=Platinum, RAL9006 R=Red, RAL3020 W=White, RAL9016 C=Custom (Consult Factory) | S=Square Oversized Wall Mount R=Round Wall Mount N=No Wall Mount |
| GNA023 - Straight | 30=30" 24=24" 18=18" 12=12" | | |
| GNA033 - Straight Offset | 30=30" 24=24" | | |
| GNA043 - Straight Rise | 30=30" | | |
| GNA053 - Round Hook | 30=30" 24=24" 18=18" | | |

Gooseneck Arm Specifications and Features:

Construction:

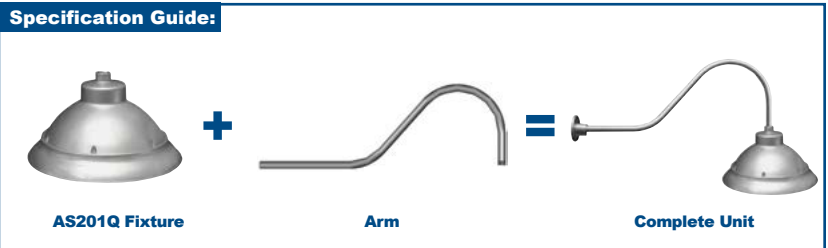
Heavy-Duty ¾" Aluminum Arms with ¼" NPS Threads on Fixture Mounting End.

Finish:

Powdercoat Finish Over a Chromate Conversion Coating. Custom Colors Available Upon Request.

Mounting Options:

Mount with ¾" Square or Round Mounting Plates.



Project Information:

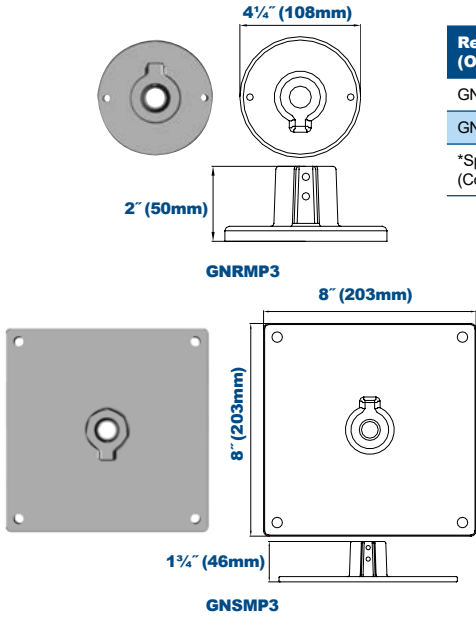
Project Name: _____ Fixture Type: _____
 Complete Catalog #: _____ Date: _____
 Comments: _____

Certification & Listings:



Specifications subject to change without notice. Rev. 060418

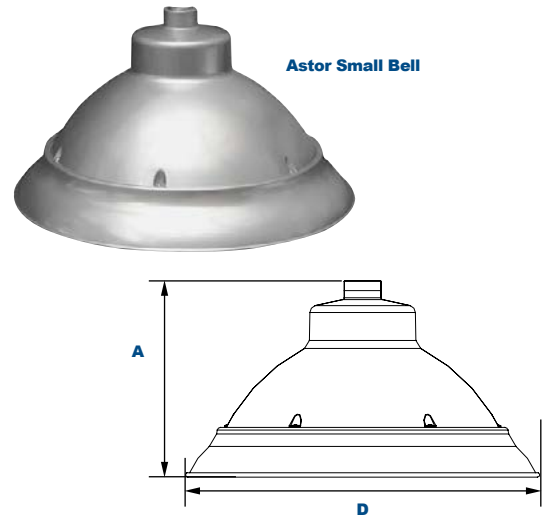
Wall Plate Dimensions



Replacement Wall Plates (Order separately, Field installed)

- GNRMP3* Round Wall Mount Plate, Powdercoat Finish.
 - GNSMP3* Square Oversized Wall Mount Plate, Powdercoat Finish.
- *Specify Color: B=Black, P=Platinum, R=Red, W=White, C=Custom (Consult Factory)

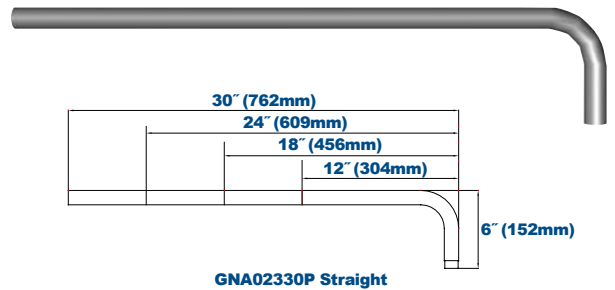
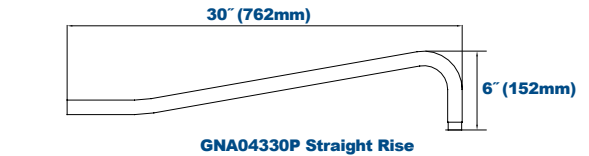
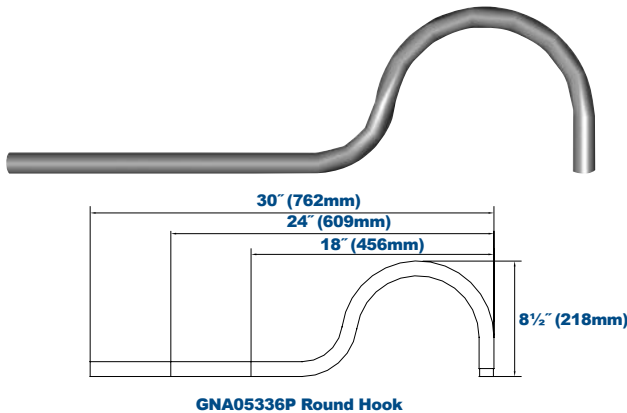
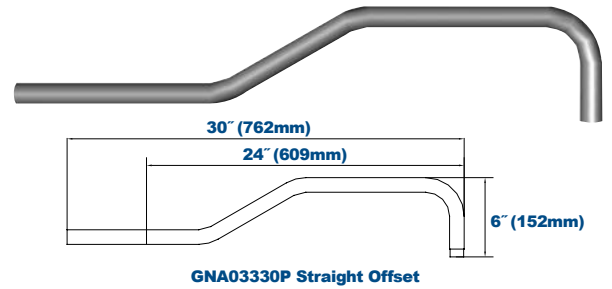
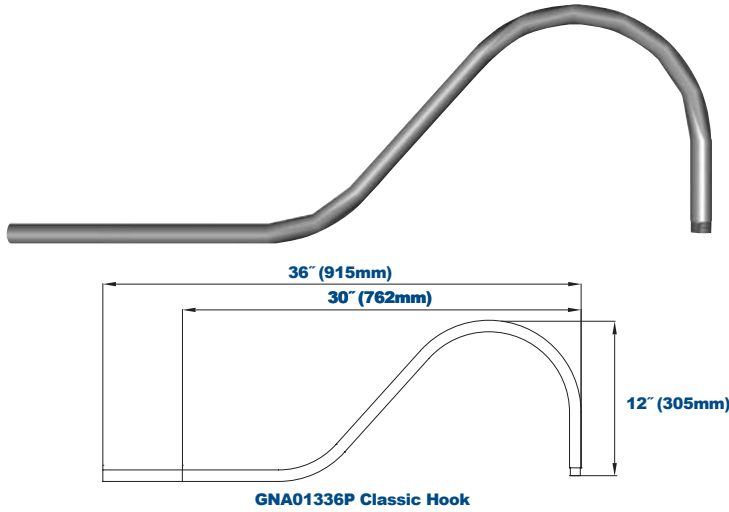
AS201Q Dimensions



Dimensions

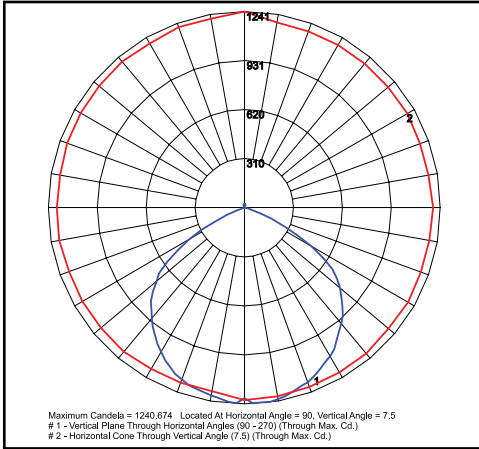
| | |
|---------------------|-----------------|
| Diameter (D) | 15 1/4" (386mm) |
| Height (A) | 8 1/2" (214mm) |

Gooseneck Dimensions



Specifications subject to change without notice. Rev. 111017

Photometric Data



AS201QF1X23U5KC - Type V

Photometric Performance

| LED Board Watts | Drive Current (mA) | Input Watts | Optics | 5000 CCT 80 CRI | | | | |
|-----------------|--------------------|-------------|-------------------------------|-----------------|-----|---|---|---|
| | | | | Lumens | LPW | B | U | G |
| EasyLED 23w | 525 | 26 | Type V (Clear Prismatic Lens) | 3,022 | 116 | 1 | 2 | 0 |

Projected Lumen Maintenance

| Data shown for 5000 CCT TM-21-11 | Input Watts | Compare to MH | | | | |
|---|--------------------|----------------|-------------------|-------------------|--------------------|-----------------------------|
| | | Initial | 25,000 Hrs | 50,000 Hrs | 100,000 Hrs | Calculated L70@ 25°C |
| L70 Lumen Maintenance @ 25°C / 77°F | 26 | 1.00 | 0.98 | 0.97 | 0.93 | 457,000 |
| TM-21-11 | Input Watts | Initial | 25,000 Hrs | 50,000 Hrs | 100,000 Hrs | Calculated L70@ 50°C |
| L70 Lumen Maintenance @ 50°C / 122°F | 26 | 1.00 | 0.97 | 0.95 | 0.89 | 273,000 |
| TM-21-11 | Input Watts | Initial | 25,000 Hrs | 50,000 Hrs | 100,000 Hrs | Calculated L80@ 40°C |
| L80 Lumen Maintenance @ 40°C / 104°F | 26 | 1.00 | 0.98 | 0.95 | 0.90 | 206,000 |

NOTES:
 1. Projected per IESNA TM-21-11. Data references the extrapolated performance projections for the 525mA base model in a 25°C ambient, based on 10,000 hours of LED testing per IESNA LM-80-08.
 2. Compare to MH box indicates suggested Light Loss Factor (LLF) to be used when comparing to Metal Halide (MH) systems.