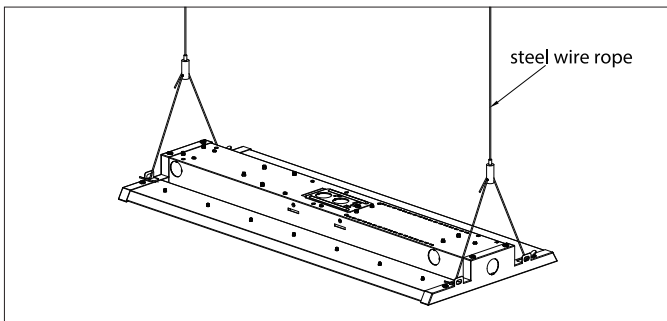


WARNING

1. Turn power off before inspection, installation or removal.
2. The installation should be performed by qualified electricians or lighting technicians.
3. Before conducting any installation, maintenance, or removal, disable all power to the luminaries and wait until the fixture cool down.
4. Do not touch the fixture while it is in service.
5. If there is any problem with the fixture, DO turn off power and DO NOT attempt repair unless you are a qualified technician or the customer service member.
6. This product is not available for several special environments, such as places with corrosive gas liquids or high pressure water vapor.

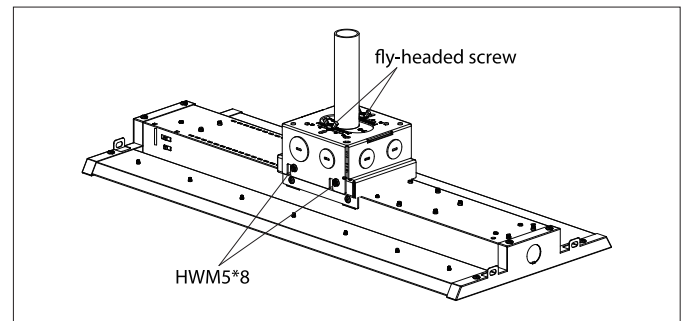
1. Mounting With Steel Wire Rope



Inspect the fixture condition and accessories before installation.

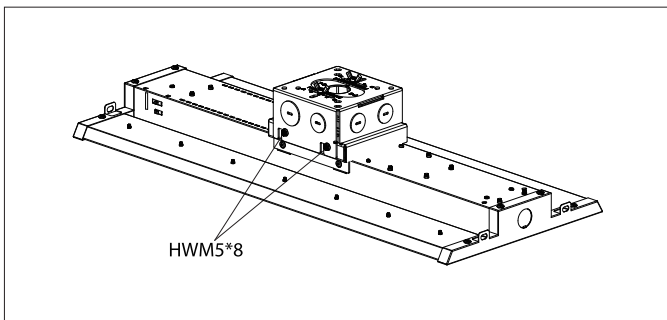
1. Each of the two steel wire rope hooks on both ends of the mounting holes on fixture.
2. Remove the access plate, take the wires out of the power driver compartment and through the hole of access plate, make wiring and re-install the access plate, then plug the flexible conduit into the hole of the access plate.

2. Conduit Pendant



1. Installing the adjustable board in square J-BOX with M4*8 fly-headed flat bottom screw, and pass the 3/4" conduit through adjustable board, then fix it with J-BOX. (nut is provided by others)
2. Attach fixture to the hanger of square J-BOX, and connecting wires
3. Placing fixture horizontally, and fix it with J-BOX by using M5*8 screws

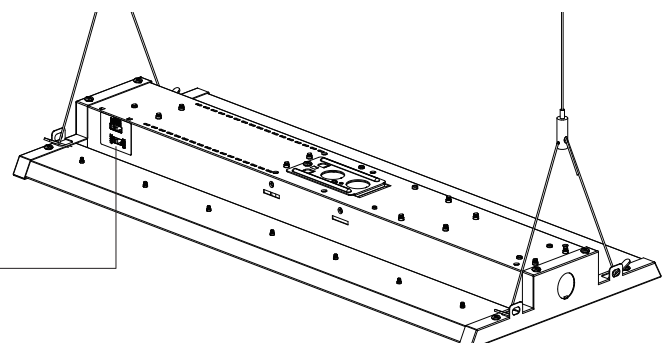
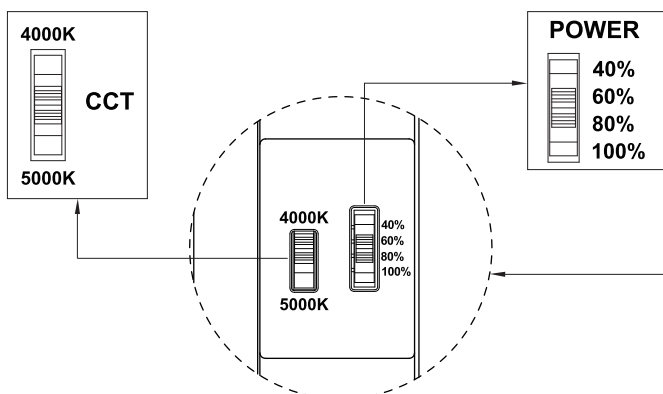
3. Surface Mounting



1. Fix the square J-BOX hanger to the ceiling junction box with screws (the screws are matched with the junction box).
2. Hook the fixture of the J-BOX base to the fixed hanger, pull out the wire and complete the wiring.
3. Place the fixture horizontally and secure it with M5 * 8 screws.

4. Power and CCT selectable version (Optional)

Select the appropriate power and color temperature in the actual application of the sliding dip switch, as shown in the following figure:



WIRING

Universal voltage driver permits operation at 120V thru 277V or 347V/480V, 60 Hz.
For 0-10V Dimming, follow the wiring directions as in fig 1.

1. Connect the black fixture lead to the (+) LINE supply lead.
2. Connect the white fixture lead to the (-) COMMON supplylead.
3. Connect the GROUND wire from fixture to supply ground. Do NOT connect the GROUND of the dimming fixture to the output.
4. Connect the purple fixture lead to the (V+) DIM lead.
5. Connect the pink fixture lead to the (V-) DIM lead.

TROUBLESHOOTING

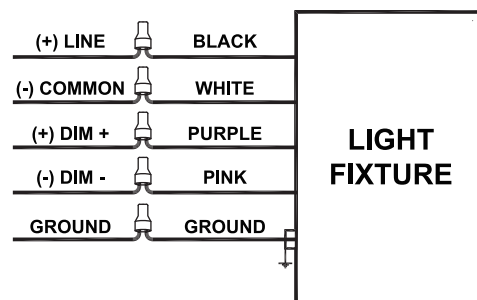
1. Check that the line voltage at the fixture is correct.
Refer to wiring directions.
2. Make sure the fixture grounded properly.
3. Be sure the motion sensor, if used, is functioning properly.
4. The 130W and 210W with external emergency batteries installed are only suitable for steel wire rope mounting.

ACCESSORY LIST

Type	Accessory Name	Accessory Model	Quantity
Chain and bracket kit	Aircraft cable	1.5X1500mm, A set of aircraft cable(with each 150mm long)	2
Mounting box	Square junction box	MLH06-L125W101H37.5, Square junction box	1
	Adjustable board for J-BOX installation	MLH06-L107W106H59, adjustable board for J-BOX installation	1
	Screw	HWM5*8, thicker hexagon head cross screw	2
	Screw	M4*8, fly-headed flat bottom screw	4

CLEANING & MAINTENANCE

CAUTION: Be sure fixture temperature is cool enough to touch.
Do not clean or maintain while fixture is energized.





BLUETOOTH NETWORKED CONTROLS

For Series GKOMLHG6 210W Tunable



DLC NLC qualified Networked Controls on a Bluetooth SIG Mesh Network operated with iOS and web.



Grouping



Scheduling



0-10V Dimming



Occupancy Sensor



Security Lighting

Why are GKOLED® Bluetooth Controls right for your next project?

INCREASE PROFIT MARGINS with additional incentives for energy rebate programs.

RELIABLE CONTROLS WITH USER-FRIENDLY SOFTWARE that is thoroughly tested with our products.

ONLY PAY FOR THE HARDWARE with no additional costs or subscriptions beyond the initial price.

IN-HOUSE US-BASED CUSTOMER SERVICE offers thorough training on the product and will walk you through initial projects.

How Does It Work?

GKOLED® Bluetooth Controls allow the lighting professional to completely customize a lighting solution for each new project. Each fixture receives a Plug & Play Controller or a Plug & Play Sensor & Controller, enabling it to be connected to the Bluetooth Mesh Network in 2 simple stages.

1

Initial project setup is available via a computer web browser or a mobile app, with advanced controls accessible from the web browser.

2

Connecting the lights or "commissioning" is done on the mobile app, accessible from an iPhone or iPad while in proximity to the light.



Controller

For Bluetooth connectivity, allowing the fixture to be controlled remotely.



Plug & Play Sensor & Controller



Plug & Play Controller

Wall Switch

Optional switch offers occupancy sensor, manual on/off, and dimming.



Wall Switch

Frequently Asked Questions

HOW MANY FIXTURES CAN BE LINKED TOGETHER?

Up to 200 fixtures may be linked together in a single project area.

WHAT IS THE MAXIMUM DISTANCE BETWEEN FIXTURES BEING LINKED TOGETHER?

The Plug & Play Controller has a maximum operating distance of 131ft between each linked fixture, while the Plug & Play Sensor has a maximum operating distance of 200ft between each linked fixture.

WHAT ARE THE OPERATING PARAMETERS OF THE PLUG & PLAY SENSOR?

The maximum distance the Plug & Play Sensor can sense occupancy is 30ft at a maximum ceiling height of 40ft.