

200W & 250W / 300W & 340W

Product Overview

The series GKOHB05 Circular High Bay provides an incredible efficacy of up to 165 lm/w for unmatched lighting performance in commercial, institutional, and industrial applications. An optional adjustment dial increases the available wattage options and the potential operating temperature range.

Key Features

CONSTRUCTION:

- Rugged die-cast aluminum housing with integral heat sink fins.
- Housing is completely sealed against moisture and environmental contaminants.

FINISH:

- The exterior is protected by a rust-resistant powder coat finish that provides superior resistance to weathering and corrosion.

OPTICS:

- Light engines are available in standard 4000K and 5000K configurations.
- A range of lumen options available from 32,300 to 55,000 Lumens, replaces up to 1,000W metal halide.
- Wide light distribution with a 120° beam angle.

ELECTRICAL:

- Standard 120-277V input voltage, optional 347-480V input voltage.
- Integrated 6KV surge protection for 120-277V (4KV for 480V), meeting the industrial ANSI standards.
- 1-10V dimming driver(s) as default.
- THD: ≤20%, Power Factor: ≥90%

CONTROLS:

- Optional center-mounted, integrated multi-level motion sensor - BRI823.
- Optional adjustment dial changes the wattage and allows the fixture to meet higher ambient temperature requirements.

INSTALLATION:

- Pendant mount or hook mount options are available.
- Drive compartment cover is easily accessible from below for simple assembly and inspection.

WARRANTY:

- 10 Year Limited Warranty.

LISTINGS:

- DesignLights Consortium® (DLC) qualified.
- UL listed for wet locations.
- Rated for ambient operating temperature -40°F to 131°F (-40°C to 55°C).
- Rated for ambient operating temperature -40°F to 149°F (-40°C to 65°C) when using the adjustment dial to change wattage.

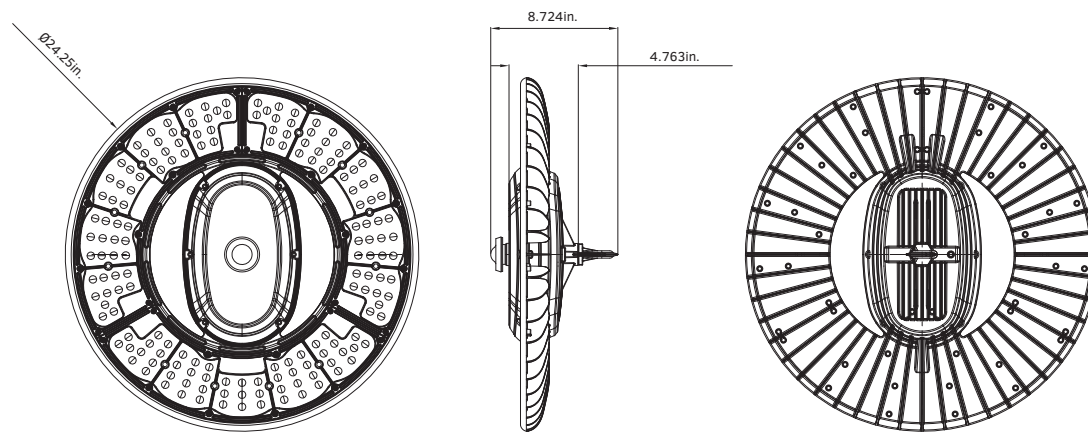


Performance Data

Lumen Output

System Watts	Voltage	4000K (70CRI)		5000K (70CRI)		Temperature
		Lumens	Efficacy	Lumens	Efficacy	
200W	120-277VAC	32300lm	162lm/W	32800lm	164lm/W	-40°F to 149°F
200W	347-480VAC	32500lm	163lm/W	33000lm	165lm/W	-40°F to 149°F
250W	120-277VAC	40000lm	160lm/W	40100lm	160lm/W	-40°F to 131°F
250W	347-480VAC	40300lm	161lm/W	41000lm	164lm/W	-40°F to 131°F
300W	120-277VAC/347-480VAC	48500lm	162m/W	49500lm	165lm/W	-40°F to 149°F
340W	120-277VAC	54300lm	160lm/W	55500lm	163lm/W	-40°F to 131°F
340W	347-480VAC	54300lm	160lm/W	55500lm	163lm/W	-40°F to 131°F

Dimensions & Weight



Weight:
 200W/250W: 16.27lb.
 300W/340W: 17.57lb.

Ordering Information

Circular High Bay Series GKOHB05							Example: GKOHB05250W27V50KD		
Fixture Type	Wattage	Voltage	CCT	Finish	Sensor (Optional)	Adjustment Dial (Optional)	Surge Protection (Optional)	Internal Code	
GKOHB05	200W 300W 250W 340W	27V 120-277V 48V 347-480V	40K 4000K 50K 5000K	D Dark Bronze B Black W White	M With Sensor Blank Without Sensor	AD With Adjustment Dial Blank Without Adjustment Dial	S With Surge Protection Blank Without Surge Protection	Blank Alphanumeric	

Note: 1. 200W and 300W options are obtained through using the adjustment dial on 250W and 340W.
 2. 200W and 300W options are recommended for ambient temperatures of -40°F to 149°F.
 3. 250W and 340W options are recommended for ambient temperatures of -40°F to 131°F.