



26W

Product Overview

The new series GKOBLO1 bollard light provides illumination for outdoor applications requiring a light source with a low mounting height, such as building entryways, pathways, and pedestrian plazas. This stylish pathway light provides consistent 360 degree illumination while generating no uplight, for superior lighting control.

Key Features

CONSTRUCTION:

- Rugged die-cast aluminum housing in a stylish round design.
- Housing is completely sealed against moisture and environmental contaminants.

FINISH:

- The exterior is protected by a rust-resistant polyester powder coat finish that provides superior resistance to weathering and corrosion.

OPTICS:

- Light engines are available in standard 4000K and 5000K configurations.
- Available in 3,100 Lumens, replacing a 100W metal halide.
- Complete 360 degree illumination with no uplight for superior lighting control.

ELECTRICAL:

- Standard 120-277V input voltage.
- 1-10V dimming driver(s) as default.
- THD: ≤20%, Power Factor: ≥90%.

CONTROLS:

- Optional emergency battery backup provides up to 90 minutes of operation during outages.

INSTALLATION:

- Robust ground cage for straightforward pre-buried ground installation.

WARRANTY:

- 5 Year Limited Warranty.

LISTINGS:

- DesignLights Consortium® (DLC) Premium qualified.
- Rated for ambient operating temperature -40°F to 113°F (-40°C to 45°C).



Performance Data

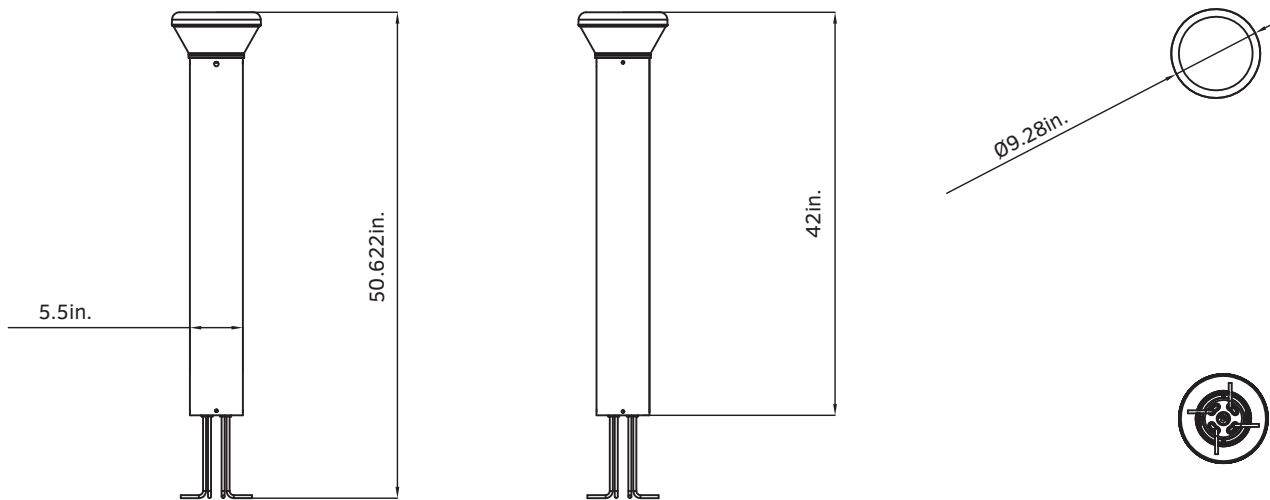
Lumen Output

System Watts	Voltage	4000K (70CRI)		5000K (70CRI)	
		Lumens	Efficacy	Lumens	Efficacy
26W	120-277V	3050lm	115 lm/W	3100lm	119 lm/W

Electrical Data

Number of Drivers	Driver Current (mA)	Nominal Power (W)	Input Voltage (V)	Current (Amps)
1	670	26	120	0.22
		26	208	0.13
		26	240	0.11
		26	277	0.09

Dimensions



Ordering Information

Bollard Light Series GKOBLO1						Example: GKOBLO126W27V50KD	
Fixture Type	Wattage	Voltage	CCT	Finish	Battery Backup (Optional)	Internal Code	
<input type="text"/>	<input type="text"/>	<input type="text"/>	<input type="text"/>	<input type="text"/>	<input type="text"/>	<input type="text"/>	
GKOBLO1	26W	27V 120-277V	40K 4000K 50K 5000K	D Dark Bronze B Black W White SG Silver Grey	B With Emergency Battery Blank Without Emergency Battery	Blank Alphanumeric	