

WARNING

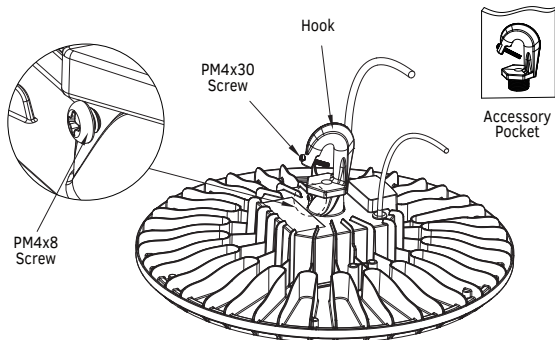
PLEASE READ ALL INSTRUCTIONS BEFORE ATTEMPTING INSTALLATION

- To prevent personal injury or product damage only licensed electricians should install.
- To avoid electric shock or component damage, disconnect power before attempting installation or servicing.
- This product must be installed in accordance with the national electric code (NEC) and all applicable federal, state, and local electric codes and safety standards.
- Disconnect product and allow cooling prior to servicing.
- Any alteration or modification of this product is expressly forbidden as it may cause serious personal injury, death, property damage, and/or product malfunction.
- To prevent product malfunction an/or electrical shock this product must be properly grounded.
- This luminaire is designed to operate in ambient temperatures ranging from -40°F to 122 °F and to be horizontally mounted with the LEDs facing down.
- This product must be installed in accordance with the applicable installation code by a person familiar with the construction and operation of the product and the hazards involved.
- MIN 167°F (75°C) SUPPLY CONDUCTORS
- This product is not suitable for several special environments, such as places with corrosive gas liquids or high pressure water vapor.

Installation Guide

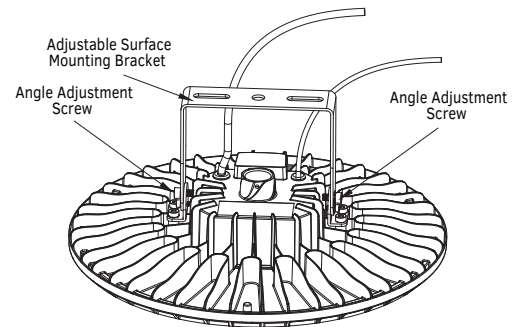
Hook Installation - Included

1. Screw the hook into the 3/4 NPS screw hole in the fixture.
2. Tighten the PM4x8 screw on the side of the hook.
3. Make wire connections as per the wiring diagram on the next page.



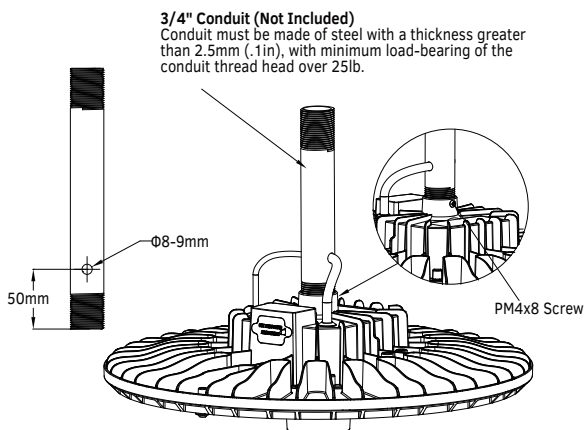
Adjustable Surface Mount Bracket - Optional

1. Secure the fixture to the intended mounting surface. To adjust to the intended angle, loosen the angle adjustment screws, angle the fixture, then lock the angle adjustment screws.
2. Make wire connections as per the wiring diagram on the next page.



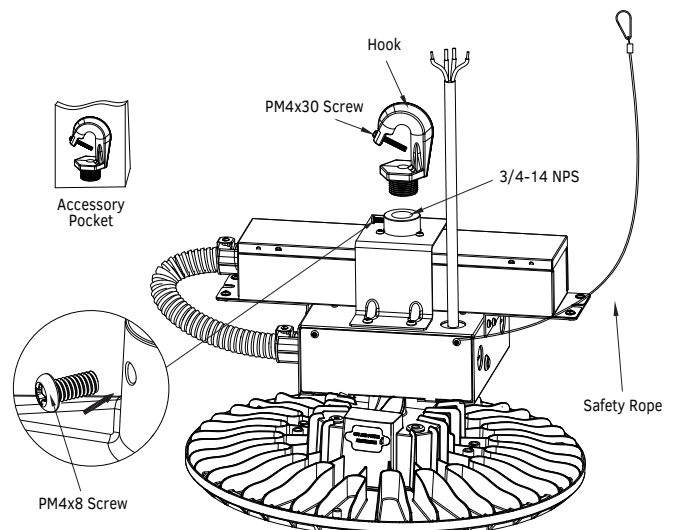
Pendant Mounting With 3/4" Conduit - Included (Conduit Not Included)

1. Drill two holes about 50mm (2in) from the bottom of the 3/4" conduit, with a hole diameter of 8-9mm (0.31in - 0.35in).
2. In order to avoid the wires winding when screwing in the conduit pipe, you can wind the input line and dimming wire 7-8 times counterclockwise on the conduit pipe.
3. After screwing in the conduit, lock the PM4x8 screw on the side to secure it in place.



Emergency Battery Backup - Optional (Only With Hook & Pendant Mounting)

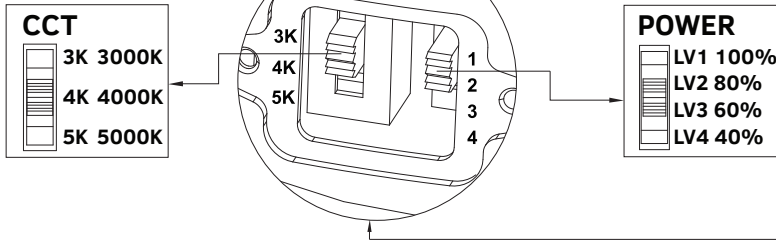
1. Hang the safety rope, then screw the hook into the 3/4-14 NPS screw hole in the fixture.
2. Tighten the PM4x8 screw on the side of the hook.
3. Make wire connections as per the wiring diagram on the next page.



Power & CCT Adjustment Controls - Included

1. Open the silicone plug on the side of the housing, use the dip switches to select the appropriate power and CCT (see diagram below), then reinstall the silicone plug.

NOTE: Though 3000K is indicated on the controls in the 2 CCT Version, 3000K is not available on this model.



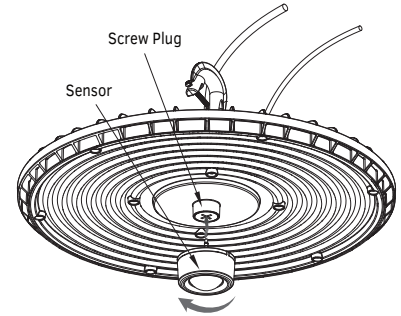
Warning:
Do not change settings on the controls when fixture is turned on.

Silicone Plug

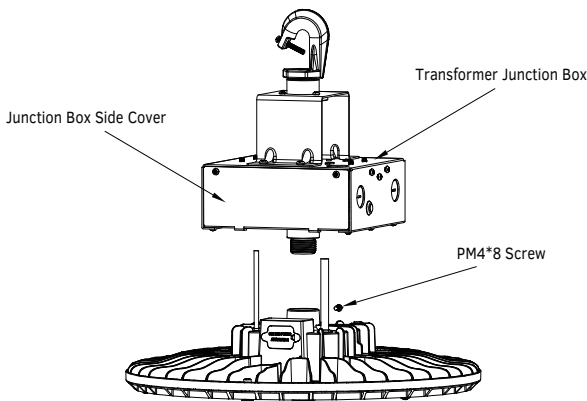
Plug & Play Motion Sensor - Optional

1. To install the plug & play sensor, first remove the screw plug in the center of the fixture, then insert the sensor and tighten clockwise as shown in the figure.

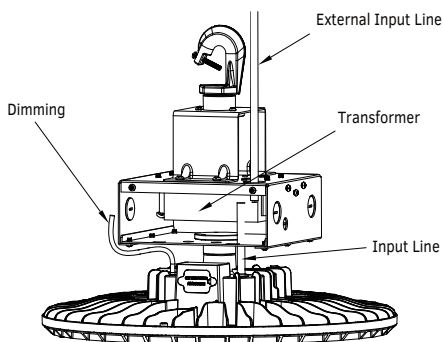
NOTE: The sensor's stand-by time is less than 90 minutes, and when the emergency function and the sensor are used at the same time, the sensor's stand-by time will override the emergency function's time. To prepare for a full 90 minute emergency operation, set the sensor's stand-by time to more than 90 minutes.



High Voltage Installation - Optional

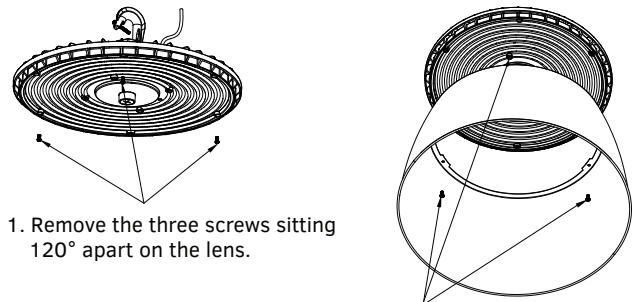


1. Screw the transformer junction box into the fixture, and secure it using the PM4*8 screw.



2. Open the junction box side cover and thread the input wire and external input wire into the junction box.
3. Make wire connections as per the wiring diagram.
4. Replace the junction box side cover.

Aluminum Reflector Installation - Optional



1. Remove the three screws sitting 120° apart on the lens.

2. Secure the reflector to the bottom of the fixture using the three PWM4x14 screws provided in the accessory kit.

Wiring Diagram

Without Emergency Battery

LED FIXTURES	Black	Line
	White	Neutral
	Green/Yellow Green	Ground
	Purple	DIM+
	Pink	DIM-

With Emergency Battery

LED FIXTURES	Red	AC (24/7)
	Black	AC Line Switch
	White	Neutral
	Green/Yellow Green	Ground
	Purple	DIM+
Pink	DIM-	

High Voltage Wiring

