



100W / 150W / 210W / 230W

## Product Overview

Series GKOHBG8 Circular High Bays feature a compact design with exceptional performance for energy-efficient commercial illumination. All models include power & CCT adjustment controls, with an optional plug and play motion sensor.



## Key Features

### CONSTRUCTION:

- Rugged die-cast aluminum housing with integral heat sink fins.
- Housing is completely sealed against moisture and environmental contaminants.

### FINISH:

- The exterior is protected by a black rust-resistant polyester powder coat finish that provides superior resistance to weathering and corrosion.

### OPTICS:

- Light engines are available in standard 4000K and 5000K configurations with a 2 CCT control.
- A range of lumen options available from 14,500 to 35,000 Lumens, replaces up to 400W metal halide.
- Impact and UV-resistant polycarbonate lens is precisely designed to give a specific light distribution, maximizing efficiency and application spacing.
- Optional aluminum reflector available for different beam angles.

### ELECTRICAL:

- Standard 120-277V input voltage.
- 0-10V dimming driver(s) as default for a dimming range of 100% to 10%.
- THD: ≤20%, Power Factor: ≥90%.

### CONTROLS:

- Power & CCT adjustment controls standard.
- Optional center-mounted, plug & play multi-level motion sensor - ANT-6-4T.
- Optional emergency battery backup provides up to 90 minutes of operation during outages.
- Bluetooth networked controls that are DLC NLC qualified, utilizing a Bluetooth SIG mesh network operated with iOS and web, optional for all models.

### INSTALLATION:

- Pendant mount or hook mount options are available.
- Surface mounting with optional Adjustable Surface Mounting Bracket allows precise aiming of the fixture to 0°, 30°, 60°, 90°, 120°, 150°, or 180°.

### WARRANTY:

- 5 Year Limited Warranty.

### LISTINGS:

- DesignLights Consortium® (DLC) Premium qualified.
- UL Wet Location Listed.
- Rated for ambient operating temperature -40°F to 122°F (-40°C to 50°C).

# Performance Data

## Lumen Output

100W						
Setting	System Watts	CRI	4000K		5000K	
			Lumens	Efficacy	Lumens	Efficacy
100%	100W	70	16000lm	160lm/W	14500lm	145lm/W
80%	80W	70	13000lm	163lm/W	12000lm	150lm/W
60%	60W	70	10000lm	167lm/W	9400lm	157lm/W
40%	40W	70	7000lm	175lm/W	6500lm	163lm/W

150W						
Setting	System Watts	CRI	4000K		5000K	
			Lumens	Efficacy	Lumens	Efficacy
100%	150W	70	24000lm	160lm/W	22500lm	150lm/W
80%	120W	70	20000lm	167lm/W	19000lm	158lm/W
60%	90W	70	15500lm	172lm/W	14600lm	162lm/W
40%	60W	70	10800lm	180lm/W	10000lm	167lm/W

210W						
Setting	System Watts	CRI	4000K		5000K	
			Lumens	Efficacy	Lumens	Efficacy
100%	210W	70	32000lm	152lm/W	30500lm	145lm/W
80%	168W	70	26500lm	158lm/W	25000lm	149lm/W
60%	126W	70	21000lm	167lm/W	20000lm	159lm/W
40%	84W	70	14500lm	173lm/W	14000lm	167lm/W

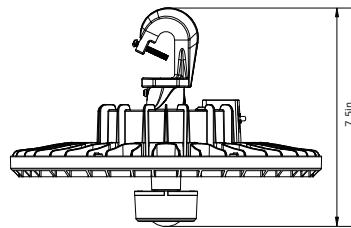
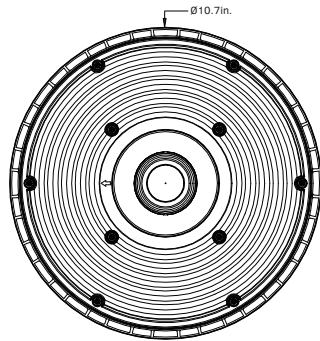
230W						
Setting	System Watts	CRI	4000K		5000K	
			Lumens	Efficacy	Lumens	Efficacy
100%	230W	70	36000lm	157lm/W	35000lm	152lm/W
80%	184W	70	30000lm	163lm/W	29000lm	158lm/W
60%	138W	70	24000lm	174lm/W	23000lm	167lm/W
40%	92W	70	16500lm	179lm/W	16000lm	174lm/W

## Electrical Data

Number Of Drivers	Driver Current (mA)	Nominal Power (W)	Input Voltage (V)	Current (Amps)
1	800	100	120	0.83
		100	208	0.48
		100	240	0.42
		100	277	0.36
1	1150	150	120	1.25
		150	208	0.72
		150	240	0.63
		150	277	0.54
1	1700	210	120	1.75
		210	208	1.01
		210	240	0.88
		210	277	0.76
1	1750	230	120	1.92
		230	208	1.11
		230	240	0.96
		230	277	0.83

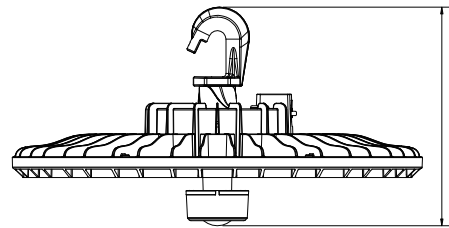
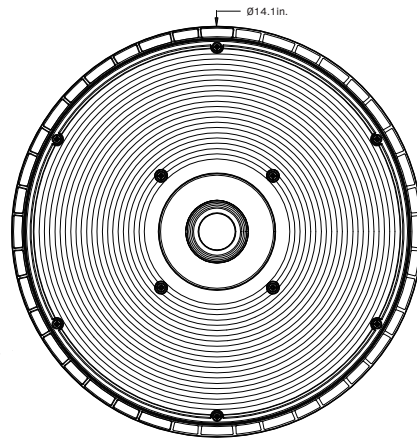
# Dimensions & Weight

100W / 150W



Weight:  
100W: 3.68lb.  
150W: 3.68lb.

210W / 230W



Weight:  
210W: 6.53lb.  
230W: 6.53lb.

## Mounting Options



### HOOK MOUNT

Included hook mount features an anti-shedding screw for added security.



### PENDANT MOUNT

A 3/4" conduit entry point ensures easy pendant installation.



### ADJUSTABLE SURFACE MOUNTING BRACKET

Allows precise aiming of the fixture to 0°, 30°, 60°, 90°, 120°, 150°, or 180°.

## Accessories



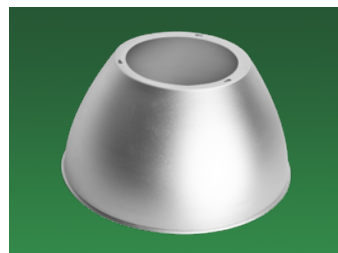
### MULTI-LEVEL MOTION SENSOR

Center-mounted plug & play multi-level motion sensor detects occupancy in an area for additional energy savings.



### EMERGENCY BATTERY BACKUP

Emergency battery backup provides up to 90 minutes of operation during power outages.

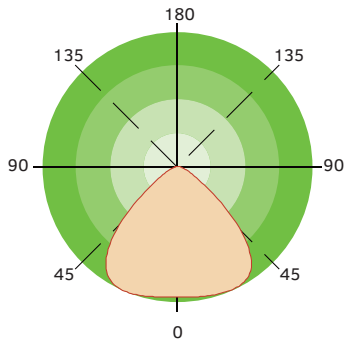


### ALUMINUM REFLECTOR

Optional aluminum reflector provides a more focused light distribution.

# Light Distribution

## General High Bay



# Ordering Information

## Circular High Bay Series GKOHBG8

Example: GKPOHBG8210W27VDDKBM

Fixture Type	Wattage	Voltage	CCT	Finish	Sensor (Optional)	Emergency Battery (Optional)	Adjustment Dial	Internal Code
<input type="text"/>	<input type="text"/>	<input type="text"/>	<input type="text"/>	<input type="text"/>	<input type="text"/>	<input type="text"/>	<input type="text"/>	<input type="text"/>
<b>GKOHBG8</b>	<b>100W</b> <b>150W</b> <b>210W</b> <b>230W</b>	<b>27V</b> 120-277V	<b>DDK</b> Power & CCT Tunable	<b>B</b> Black <b>D</b> Dark Bronze <b>W</b> White	<b>M</b> With Sensor <b>Blank</b> Without Sensor	<b>B</b> With Emergency Battery <b>Blank</b> Without Emergency Battery	<b>AD</b> With Adjustment Dial <b>Blank</b> Without Adjustment Dial	<b>Blank</b> <b>Alphanumeric</b> <b>2</b> With 2 CCTs