



SMALL SIZE:
15W / 27W

MEDIUM SIZE:
40W / 65W

LARGE SIZE:
90W / 120W

Product Overview

Series GKOFDG11 Flood Lights are designed to provide superior performance and efficacy for exterior uplighting applications. Power & CCT Adjustment Controls are standard on all models, enabling the lighting professional to adjust light output to meet varied project requirements.



Key Features

CONSTRUCTION:

- Rugged single-piece die-cast aluminum housing with integral heat sink fins.
- Housing has direct contact with the driver to help maintain low temperature and long lifespan.
- Housing is completely sealed against moisture and environmental contaminants.

FINISH:

- The exterior is protected by a rust-resistant powder coat finish that provides superior resistance to weathering and corrosion.

OPTICS:

- NEMA 7H*7V light distribution created by the integrated white reflector.
- Light engines are available in 3000K, 4000K and 5000K configurations.
- A wide range of lumen options available, from 2,100 to 18,000 Lumens, replaces up to 400W metal halide.
- Heat and impact-resistant tempered glass lens.

ELECTRICAL:

- Universal 120-277V input voltage.
- 2KV surge protection for 120-277V.
- 1-10V dimming via Power Adjustment Controls.
- THD: ≤20%, Power Factor: ≥90%.

CONTROLS:

- Power & CCT adjustment controls protected by a threaded knockout.
- Optional button photocell for additional energy savings - PO 120-277V.

INSTALLATION:

- Slipfitter, yoke, trunnion, and knuckle mount are available.
- Designed to be suitable for installation by only one person.

WARRANTY:

- 5 Year Limited Warranty.

LISTINGS:

- DesignLights Consortium® (DLC) Premium qualified.
- UL listed for wet locations.
- Rated for ambient operating temperature -40°F to 104°F (-40°C to 40°C).

Performance Data

Lumen Output

| System Watts | Voltage | 3000K(70CRI) | | 4000K(70CRI) | | 5000K(70CRI) | |
|--------------|----------|--------------|----------|--------------|----------|--------------|----------|
| | | Lumens | Efficacy | Lumens | Efficacy | Lumens | Efficacy |
| 15W | 120-277V | 2050lm | 137 lm/W | 2300lm | 153 lm/W | 2100lm | 140lm/W |
| 27W | 120-277V | 3500lm | 130lm/W | 3800lm | 141m/W | 3600lm | 133lm/W |
| 40W | 120-277V | 5700lm | 143lm/W | 6000lm | 150lm/W | 5800lm | 145lm/W |
| 65W | 120-277V | 8800lm | 135m/W | 9500lm | 146lm/W | 8900lm | 137lm/W |
| 90W | 120-277V | 13400lm | 149lm/W | 14500lm | 161lm/W | 13500lm | 150lm/W |
| 120W | 120-277V | 17500lm | 146lm/W | 19000lm | 158lm/W | 18000lm | 150lm/W |

Adjustable Lumen Output Table

| Setting | 15W | | 27W | | 40W | | 65W | | 90W | | 120W | |
|---------|--------------|----------------|--------------|----------------|--------------|----------------|--------------|----------------|--------------|----------------|--------------|----------------|
| | System Watts | Lumens (5000K) | System Watts | Lumens (5000K) | System Watts | Lumens (5000K) | System Watts | Lumens (5000K) | System Watts | Lumens (5000K) | System Watts | Lumens (5000K) |
| 100% | 16.3 | 2266 | 27.23 | 3672 | 39.9 | 5846 | 65.5 | 9438 | 94.35 | 13982 | 122.9 | 18092 |
| 80% | 12.63 | 1790 | 20.4 | 2856 | 29.5 | 4542 | 54.3 | 7824 | 67.9 | 10535 | 98.82 | 15119 |
| 60% | 10.02 | 1455 | 15.52 | 2234 | 21.94 | 3356 | 41.2 | 5937 | 50.9 | 8144 | 71.28 | 11206 |
| 40% | 6.15 | 943 | 11.4 | 1690 | 14.3 | 2327 | 27.5 | 3963 | 33 | 5490 | 52.8 | 8581 |

Electrical Data

| Number of Drivers | Driver Current (mA) | Nominal Power (W) | Input Voltage (V) | Current (Amps) |
|-------------------|---------------------|-------------------|-------------------|----------------|
| 1 | 230 | 15 | 120 | 0.13 |
| | | 15 | 208 | 0.07 |
| | | 15 | 240 | 0.06 |
| | | 15 | 277 | 0.05 |
| 1 | 450 | 27 | 120 | 0.23 |
| | | 27 | 208 | 0.13 |
| | | 27 | 240 | 0.11 |
| | | 27 | 277 | 0.10 |
| 1 | 680 | 40 | 120 | 0.33 |
| | | 40 | 208 | 0.19 |
| | | 40 | 240 | 0.17 |
| | | 40 | 277 | 0.14 |
| 1 | 1100 | 65 | 120 | 0.54 |
| | | 65 | 208 | 0.31 |
| | | 65 | 240 | 0.27 |
| | | 65 | 277 | 0.23 |
| 1 | 730 | 90 | 120 | 0.75 |
| | | 90 | 208 | 0.43 |
| | | 90 | 240 | 0.38 |
| | | 90 | 277 | 0.32 |
| 1 | 960 | 120 | 120 | 1.00 |
| | | 120 | 208 | 0.58 |
| | | 120 | 240 | 0.50 |
| | | 120 | 277 | 0.43 |

Mounting Information

Knuckle (15W/27W/40W/65W)



Trunnion (15W/27W/40W/65W)



Slipfitter (90W/120W)

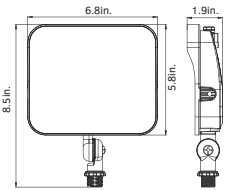


Yoke Mount(90W/120W)



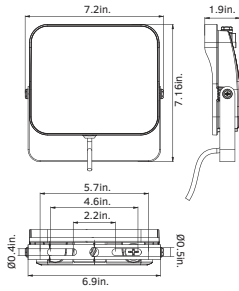
Dimensions & Weight

15W/27W (Knuckle Mount)



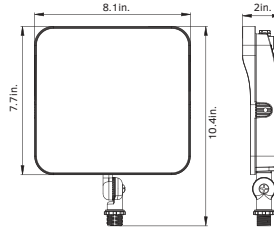
Weight
15W: 1.775lb.
27W: 1.775lb.

15W/27W (Trunnion Mount)



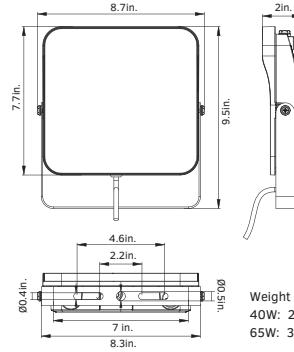
Weight
15W: 1.918lb.
27W: 1.918lb.

40W/65W (Knuckle Mount)



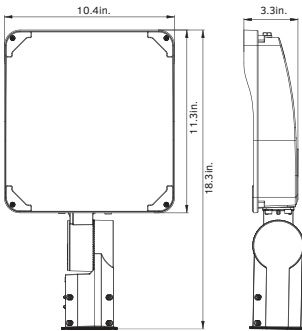
Weight
40W: 2.712lb.
65W: 2.866lb.

40W/65W (Trunnion Mount)



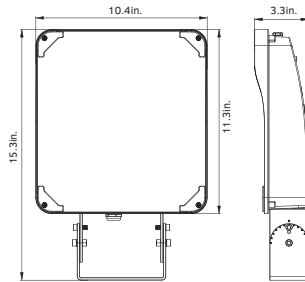
Weight
40W: 2.972lb.
65W: 3.126lb.

90W/120W (Slipfitter Mount)



Weight
90W: 7.388lb.
120W: 7.388lb.

90W/120W (Yoke Mount)



Weight
90W: 8.047lb.
120W: 8.047lb.

Ordering Information

Flood Light Series GKOFDG1

Example: GKOFDG115W27VDDKDB77

| Fixture Type | Wattage | Voltage | CCT | Finish | Photocell (Optional) | NEMA | Mounting | Power & CCT Tunable | Internal Code |
|----------------------|----------------------|----------------------|----------------------|-------------------------------------|-----------------------|----------------------|----------------------|-----------------------------|-----------------------|
| <input type="text"/> | <input type="text"/> | <input type="text"/> | <input type="text"/> | <input type="text"/> | <input type="text"/> | <input type="text"/> | <input type="text"/> | <input type="text"/> | <input type="text"/> |
| GKOFDG11 | 15W | 27V 120-277V | DDK Adjustable | D Dark Bronze B Black W White | PO 120-277V Photocell | B77 7Hx7V | TR Trunnion Mount | AD With Adjustment Controls | Blank Alphanumeric |
| | 27W | | | | | | KN Knuckle Mount | | |
| | 40W | | | | | | | | |
| | 65W | | | | | | | | |
| | 90W | | | | | | YK Yoke Mount | | |
| | 120W | | | | | | SP Slipfitter Mount | | |

Note: Not all product variations listed on this page are DLC qualified. Visit www.designlights.org/search to confirm qualification.



10330 Argonne Woods Dr. Ste. 200
Woodridge, IL 60517
Phone: 630-793-9449
Web: www.gkoled.com