

LED Lighting Fixture

SAVE THESE INSTRUCTIONS



BEFORE YOU BEGIN

Read and follow all safety instructions



WARNING

RISK OF FIRE, EXPLOSION AND ELECTRIC SHOCK

- This product should be installed, inspected, and maintained by a qualified electrician only, in accordance with the NEC (National Electric Code) and all local codes.
- Turn off electrical power before inspection, installation or removal.
- Use only UL (or other NRTL) approved wire for input/output connections. Minimum size 18 AWG or 14 AWG for continuous runs.
- Make sure LEDs and drivers are cool to touch when performing maintenance. Make sure the supply voltage is the same as the rated voltage of the luminaire.
- Do not install in a hazardous atmosphere, except where the ambient temperature does not exceed the rated operating temperature of the fixture.
- Keep tightly closed when in operation



Prepare Electrical Wiring



Electrical Requirements

- The LED driver must be supplied with the voltage specified on the product label and connected to an individual, properly grounded branch circuit protected by a 20 Ampere circuit breaker. Use min. 75°C supply.



Grounding Instructions

- The grounding and bonding of the overall system shall be done in accordance with NEC Article 600 and local codes

LED High Bay Light

GHBLED

Installation Guide

Before starting:

- Ensure that the supply power is shut off.
- Unpack the fixture and ensure that there are no damaged or missing parts

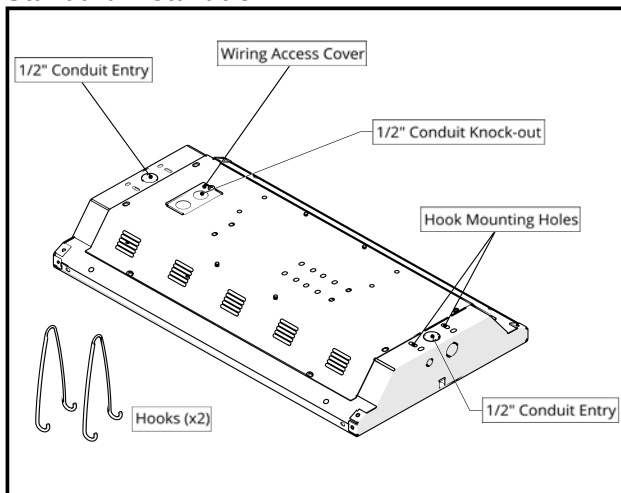
NOTES:

- This fixture should **not** be surface mounted.
- For optional EM add-on, see Page 3 for alternate wiring

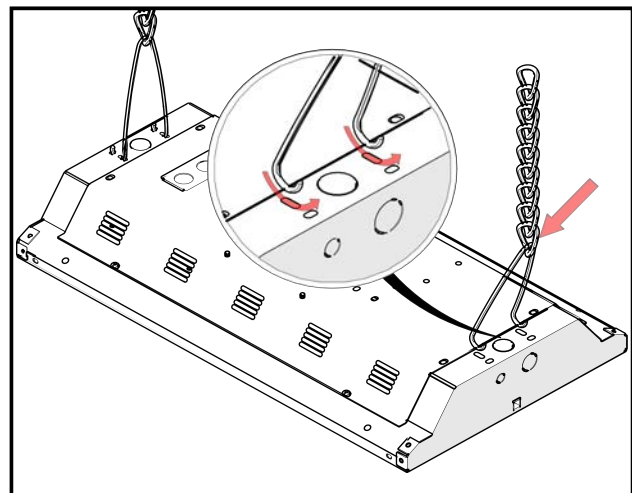
Tools Required:

- #2 Phillips Screw Driver
- Wire Strippers
- Wire Cutters

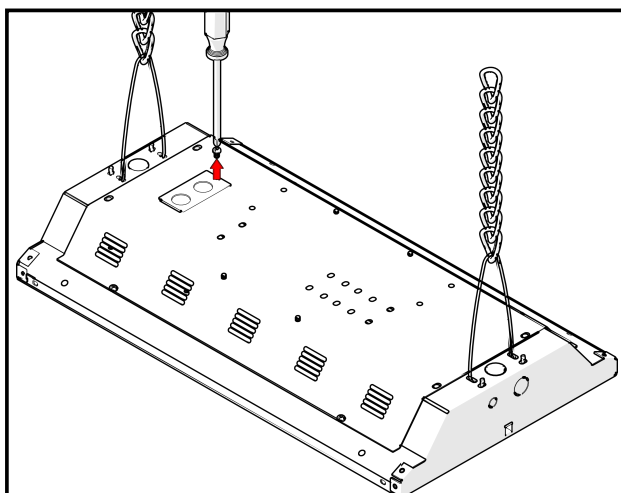
Standard Installation



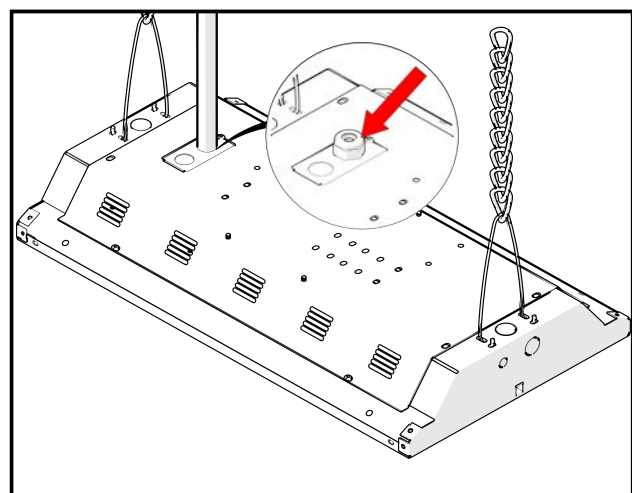
Step 1: Locate the two included mounting hooks and identify the parts shown.



Step 2: Attach chain or cable (not included) to the included hooks. Insert the hooks into the mounting holes on the fixture.



Step 3: Locate the wiring cover. Use a Phillips screwdriver to remove the screw and access the LED driver wires .



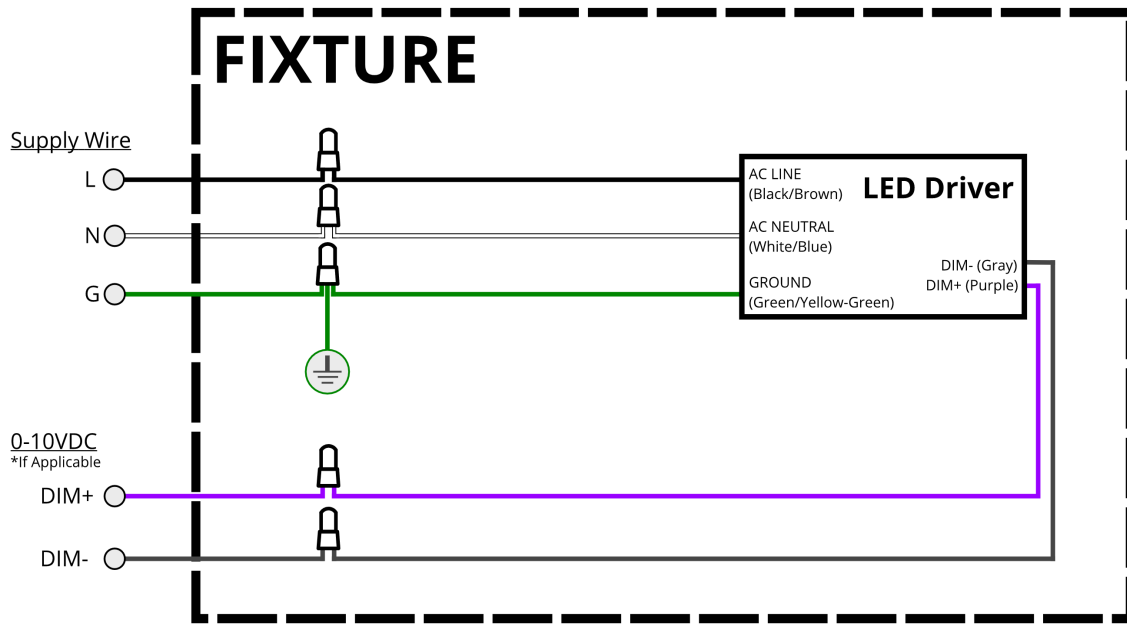
Step 4: Attach a conduit to the wiring cover knock-out or install a cord grip on the wiring cover and feed supply wire to the fixture. Wire the fixture according to the diagram on Page 3. Replace cover.

LED High Bay Light

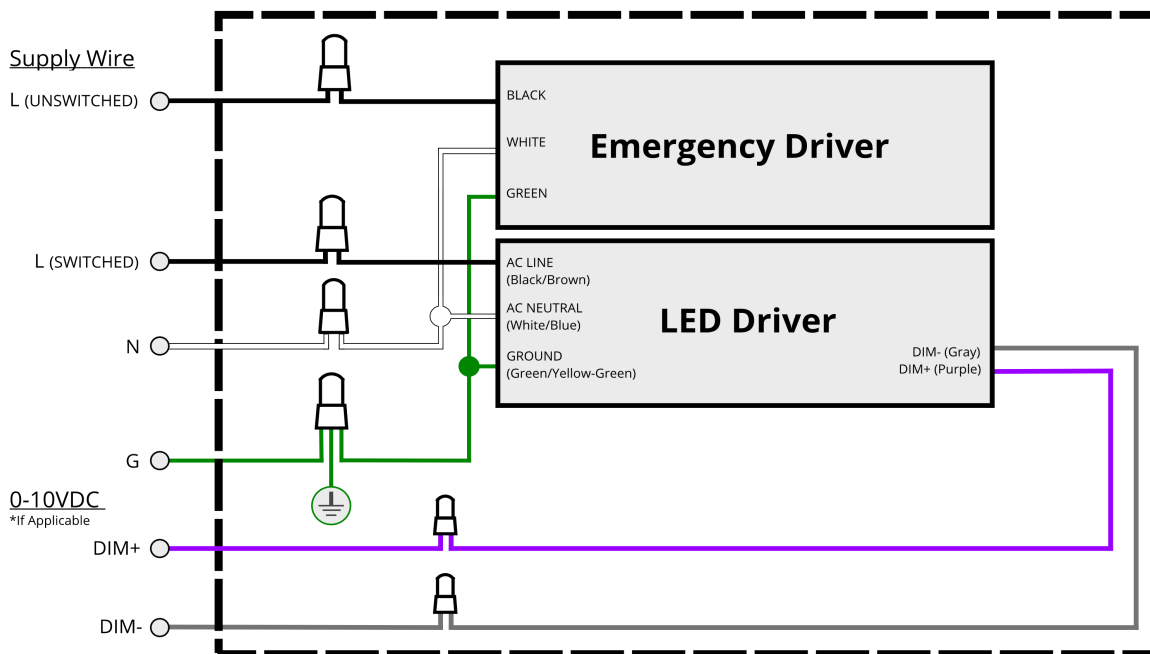
Installation Guide

GHBLEED

Electrical Wiring Diagram



Electrical Wiring Diagram with Emergency Backup



Do not connect battery pack connector until all other wiring is complete and AC power is on.