

# Durable Lighting Made for Industrial Safety



## Hazardous Location LED Luminaire FLF Series (Class I, Division 2/Zone 2)



WAREHOUSE-LIGHTING.COM

## Explosion-proof Light FLF Series (Class I, Division 2/Zone 2)



## Product Description

The FLF Series LED fixture is the ideal choice for marine and hazardous applications requiring a linear design. They can be used in locations where moisture, dirt, dust, corrosion and vibration may be present, or areas where wind, water, snow or high ambient can be expected.

## Features

- Suitable for use in Class I, Division 2 and Zone 2
- High luminous efficacy - Up to 120-140 lumens per watt
- 0-10V dimming
- Available in four lengths
- Beam angles are optional from 40°, 60°, 90°, and 120°
- Smooth housing for easy cleaning
- Emergency model optional - 1.5 hours emergency time
- Robust design rated with IP66/IK10
- Constructed of non-sparking materials for protection in flammable work sites

## Compliance

UL 844 Hazardous Locations  
Class I Division 2, Group A, B, C, D  
Class I, Zone 2, Group IIC  
UL 924 Emergency Lighting  
CSA C22.2#141-15, Ed.5  
CSA C22.2#137:2018 Ed.2  
ABS  
ETL  
IP66  
IK10  
500 hours salt spray



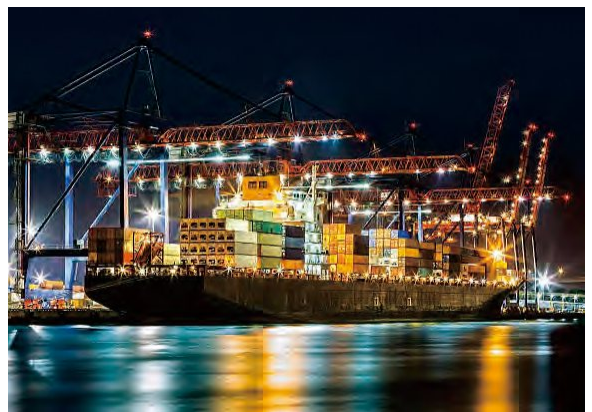
## Application

- Power Plants
- Heavy Industrials Storage Facility
- Paper mills
- Wastewater Treatment Plants
- Loading Docks Platforms
- Offshore Environments
- Chemical Processing Facility
- Petrochemical Processing Facility
- Metallurgical Industry
- Coal Mine
- Food and Alcohol industry



## Warranty

5-Year Standard Warranty  
LED lumen Maintenance: L70> 150,000 Operation Hours@55°C



## Technical Parameter

### • Electrical

Specification	EX-yyyW FLF2YZD*	EX-yyyW FLF3YZD*	EX-yyyW FLF4YZD*	EX-yyyW FLF5YZD*
Rated Power	20W/30W/40W/50W	20W/30W/40W/50W/ 60W/70W	20W/30W/40W/50W/ 60W/70W/80W	20W/30W/40W/50W/ 60W/70W/80W/90W/100W
Input Voltage	AC100-277V			
Input Frequency	50/60Hz			
Emergency Time (Optional)	1.5 hours			

### • Optical

Specification	EX-yyyW FLF2YZD*	EX-yyyW FLF3YZD*	EX-yyyW FLF4YZD*	EX-yyyW FLF5YZD*
Lumen Output	2,400lm-7,000lm	2,400lm-9,800lm	2,400lm-11,200lm	2,400lm-14,000lm
Lumens Per Watt	120-140lm/W			
Beam Angle	40°/60°/90°/120°			
CCT	2700K-6500K			
CRI	> 70			
Dimming	0-10V dimming			

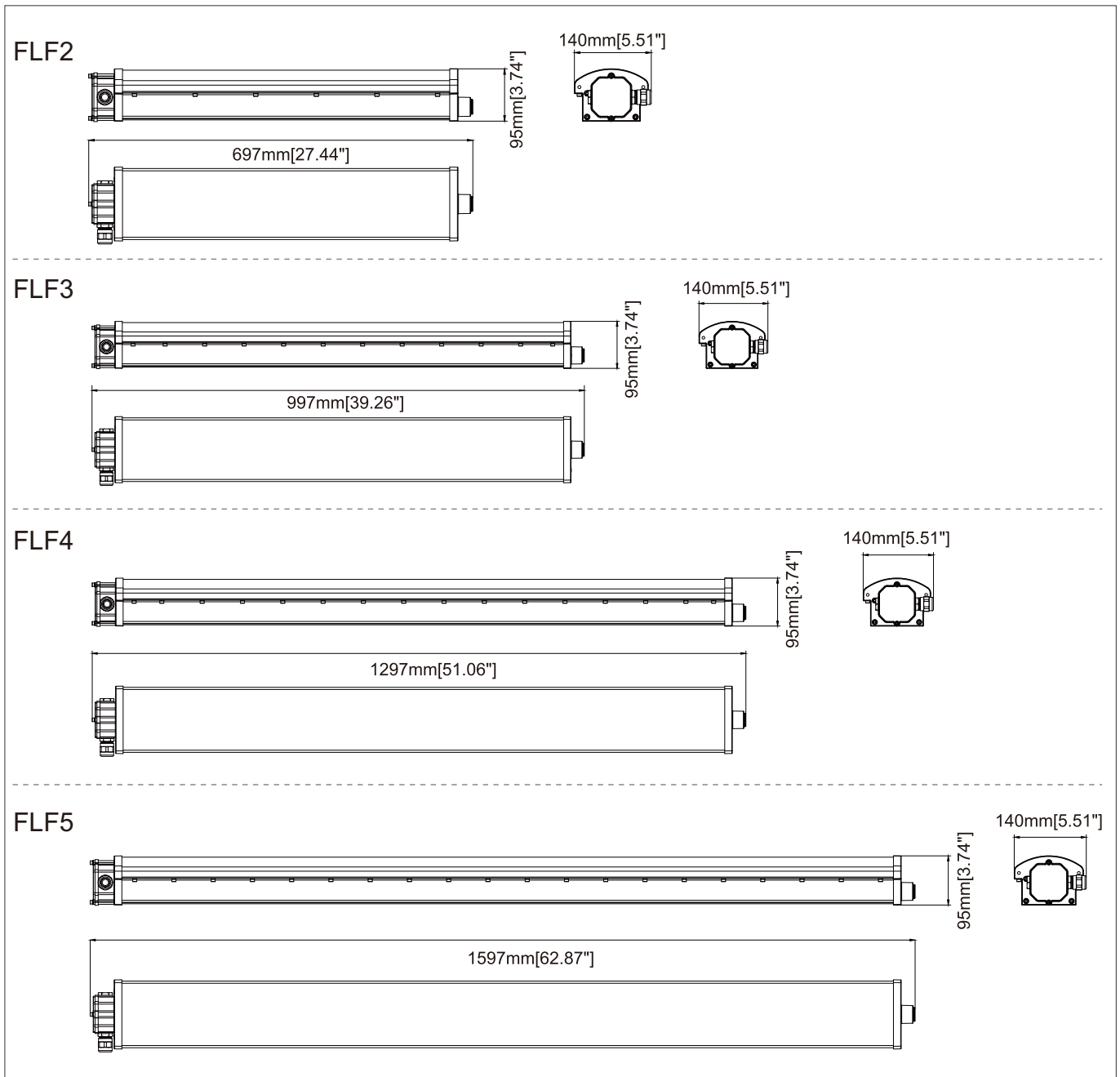
### • Environmental

Specification	EX-yyyW FLF2YZD*	EX-yyyW FLF3YZD*	EX-yyyW FLF4YZD*	EX-yyyW FLF5YZD*
Ambient Operating Temperature	T5: -40°C to +40°C (-40°F to +104°F) T4: -40°C to +55°C (-40°F to +131°F)			

### • Mechanical

Specification	EX-yyyW FLF2YZD*	EX-yyyW FLF3YZD*	EX-yyyW FLF4YZD*	EX-yyyW FLF5YZD*
Protection	IP66/IK10			
Mounting	Pole, Hook, Wall			

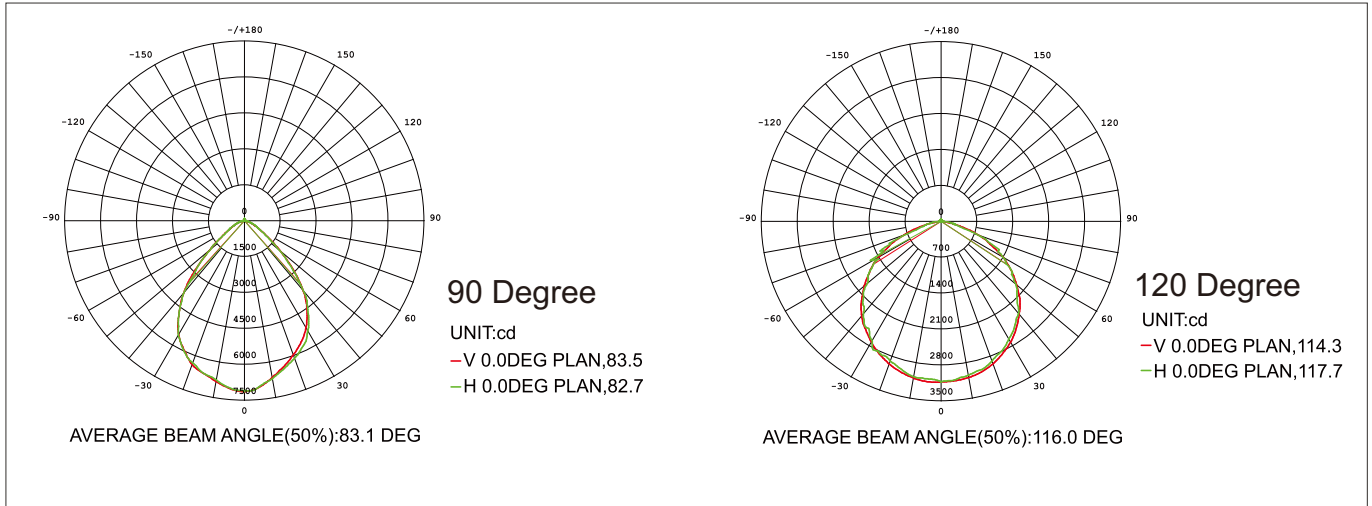
## Product Dimensions



### • Packing Information

Model	Net Weight (Product)	Product Dimensions (LxWxH)	Quantity/ Carton	Gross Weight	Package Dimensions (LxWxH)
EX-xxxW-FLF2 AZDA	4.1kg/9.04lb	697x140x95mm/ 27.44x5.51x3.74inch	1 pc	5.8kg/12.78lb	710x210x150mm/ 27.95x8.26x5.91inch
EX-xxxW-FLF4 AZDA	7.23kg/15.94lb	1297x140x95mm/ 51.06x5.51x3.74inch	1 pc	8.03kg/17.70lb	1330x187x151mm/ 52.36x7.36x5.94inch
EX-xxxW-FLF5 AZDA	7.60kg/16.76lb	1597x140x95mm/ 62.87x5.51x3.74inch	1 pc	9.40kg/20.72lb	1610x210x150mm/ 63.38x8.27x5.91inch

## Photometric



## Ordering Guide

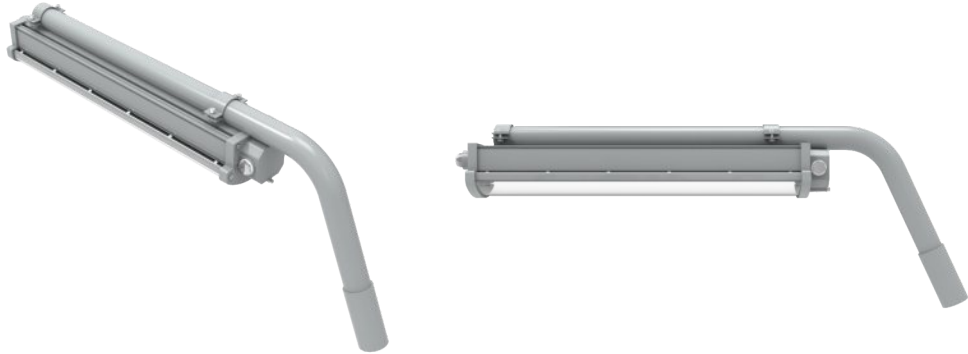


1. Product Categories	2. Wattage	3. Shell Shape Series	4. Dimming or Not
Explosion Proof Light	FLF2: 20/30/40/50W FLF3: 20/30/40/50/60/70W FLF4: 20/30/40/50/60/70/80W FLF5: 20/30/40/50/60/70/80/90/100W	Can be: FLF2/FLF3/FLF4/ FLF5	“Y” Can be: D: dimmable N: non-dimmable
5. Color Temperature	6. Beam Angle	7. Emergency Function Optional	
“Z” can be 27 to 70 denotes 2700K to 7000K, and each 100K gradually increase, max 7000K	“D” can be: D40: 40° D60: 60° D90: 90° D120: 120°	-EM: with emergency function (optional) Blank: without emergency function (standard)	

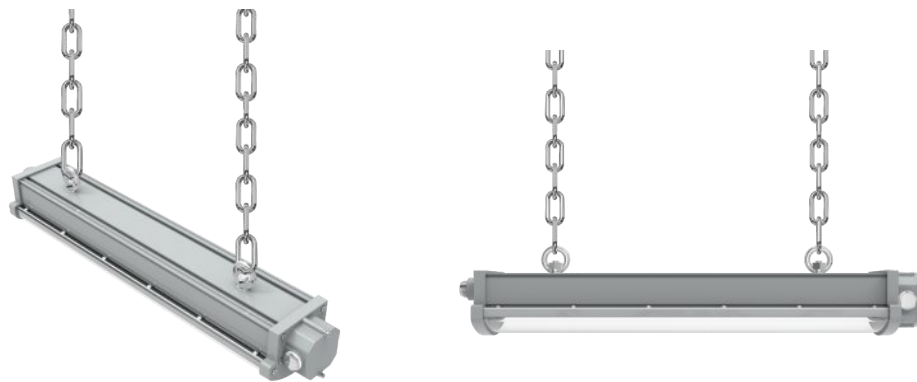
\*: Suffix not within nomenclature as per Certification, for marketing purpose only.

## Mounting Methods

- Pole Mounting



- Hook Mounting



- Wall Mounting

