

Durable Lighting Made for Industrial Safety



Hazardous Location LED Luminaire FLD Series



WAREHOUSE-LIGHTING.COM



FLD1-2



FLD1-4



FLD2-2



FLD2-4



Product Description

The FLD Series LED fixture is the ideal choice for marine and hazardous applications requiring a linear design. Available in four common sizes, the FLD series is certified for use in Zone 2 hazardous area, as well as Class I, Division 2 locations. They can be used in locations made hazardous by the presence of flammable vapors or gases or combustible dusts as defined by ATEX.

Features

- Emergency function is optional ONLY in Non-American market, emergency time at least 90 minutes
- Outstanding water and dust proof performance (IP66)
- High luminous efficacy - up to 130 lumens per watt
- Quick and easy installation



Compliance

Class I Division 2, Group A, B, C, D
Class I, Zone 2, Group IIC
UL 1598 Wet Locations
UL 924 Emergency Lighting
ETL
CSA C22.2#250.0:2021 Ed.5+U1

ATEX Standard:

II 2 G Ex eb mb db IIC T6/T5 Gb
II 2 D Ex tb IIIC T80°C /T95°C Db IP66

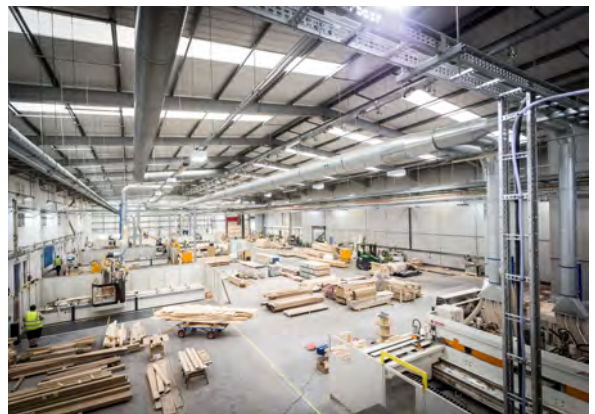
IP66

IK10



Application

- Locations requiring continuous and consistent light levels in extreme ambient temperatures
- Where flammable vapors, gases, ignitable dusts, or fibers are present
- Where corrosive, wet, dusty, hot and/or cold conditions exist
- Marine, wet locations and hose-down environments
- Manufacturing plants, chemical or pharmaceutical facilities, loading platforms, food and alcohol factories, paper mills



Warranty

5-Year Standard Warranty

LED lumen Maintenance: L70> 150,000 Operation Hours@55°C



Technical Parameter

• Electrical

Specification	EX-yyyW FLD1-2 YZD*	EX-yyyW FLD1-4 YZD*	EX-yyyW FLD2-2 YZD*	EX-yyyW FLD2-4 YZD*
Rated Power in Normal Mode	20/25/30/35/40/50W	20/25/30/35/40/50/60/70/80/90/100W	20/25/30/35/40/50/60/70/80/90/100W	100/120/150/180/200W
Rated Power in Emergency Mode*	Half of the power in normal mode			
Input Voltage	AC120-277V			
Input Frequency	50-60Hz			
Emergency Time*	>90 minutes			
Power Supply	Built-in power supply			
Power Protection	Over-voltage, over-current and short-circuit protection			

*Emergency function is optional ONLY in Non-American market.

• Optical

Specification	EX-yyyW FLD1-2 YZD*	EX-yyyW FLD1-4 YZD*	EX-yyyW FLD2-2 YZD*	EX-yyyW FLD2-4 YZD*
Lumen Output	2,600-6,500lm	2,600-13,000lm	2,600-13,000lm	13,000-26,000lm
Lumens Per Watt	130lm/W			
Beam Angle	120°			
CCT	2700K-7000K			

• Environmental

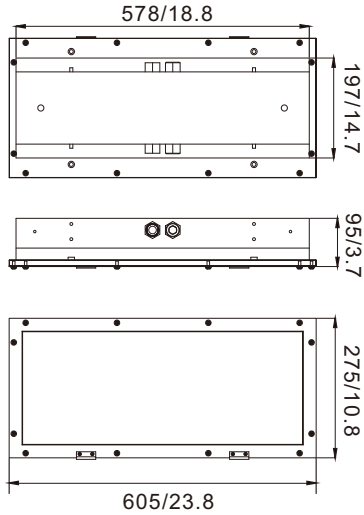
Specification	EX-yyyW FLD1-2 YZD*	EX-yyyW FLD1-4 YZD*	EX-yyyW FLD2-2 YZD*	EX-yyyW FLD2-4 YZD*
Ambient Operating Temperature	T4: -40°C to +60°C (-40°F to +140°F)			

• Mechanical

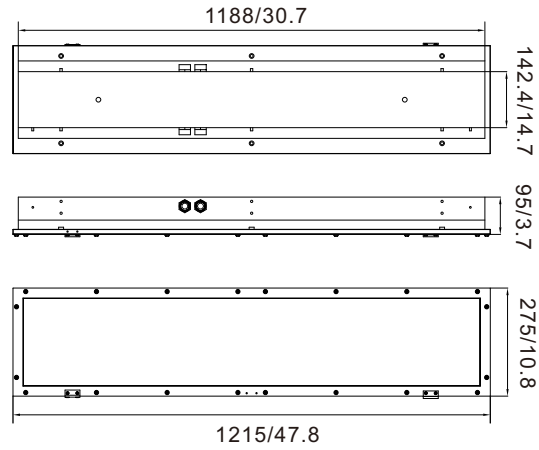
Specification	EX-yyyW FLD1-2 YZD*	EX-yyyW FLD1-4 YZD*	EX-yyyW FLD2-2 YZD*	EX-yyyW FLD2-4 YZD*
Housing Material	SPCC (S304 S316 optional) +Al6063			
Cover	PC			
Waterproof Sealing Ring	Polytetrafluoroethylene			
Hardware	Stainless steel			
Finish	Powder coating			
Protection	IP66/IK10			
Mounting	Pendant, Ceiling, Recessed installation			

Product Dimensions (mm/inch)

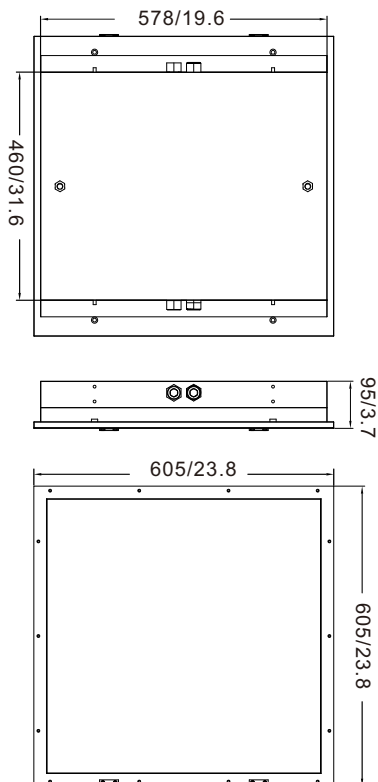
EX-xxW FLD1-2 YZD*



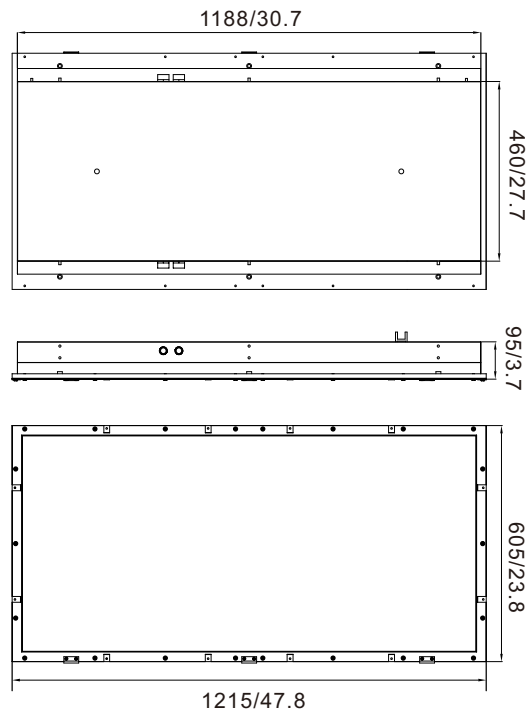
EX-xxW FLD1-4 YZD*



EX-xxW FLD2-2 YZD*



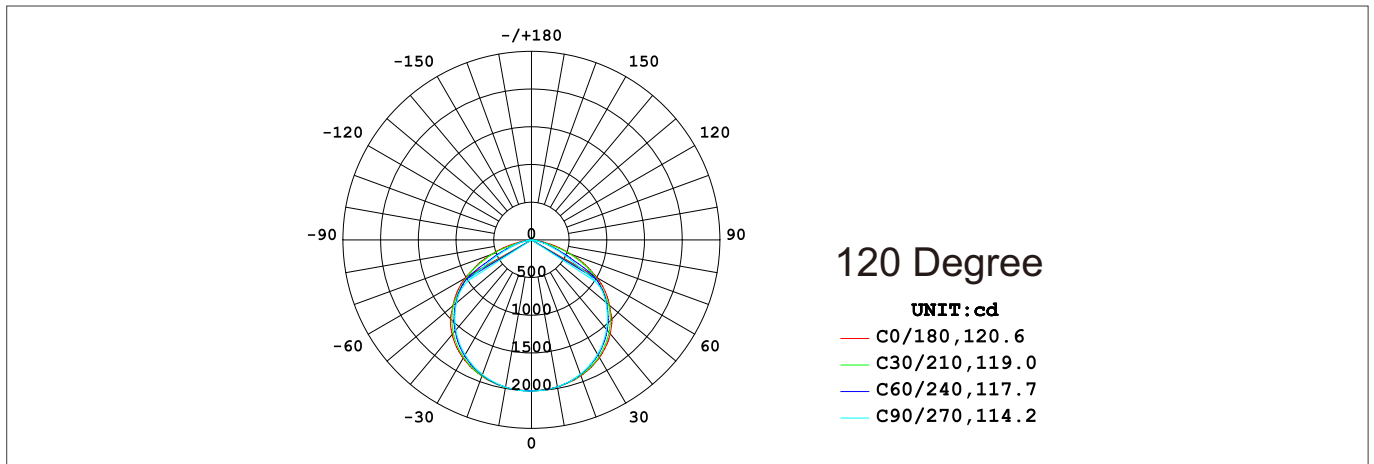
EX-xxW FLD2-4 YZD*



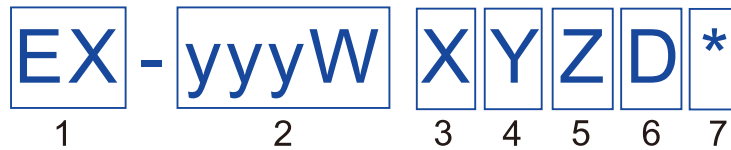
• Packing Information

Model	Product Dimensions (LxWxH)	Quantity/Carton	Gross Weight	Package Dimensions (LxWxH)
FLD1-2	605x275x95mm/ 23.8X10.8X3.7inch	1 pc	9kg/19.8lb	700x350x175mm/27.6x13.8x6.9inch
FLD1-4	275x1215x95mm/1.8x47.8x3.7inch	1 pc	20kg/44lb	1320x350x175mm/52x13.8x6.9inch
FLD2-2	605x605x95mm/23.8x23.8x3.7inch	1 pc	21kg/46.3lb	700x680x175mm/27.6x26.8x6.9inch
FLD2-4	605x1215x95mm/23.8x47.8x3.7inch	1 pc	40kg/88.2lb	1320x680x175mm/52x26.8x6.9inch

Photometric



Ordering Guide



1. Product Categories	2. Wattage	3. Shell Shape Series
Explosion Proof Light	FLD1-2: 20/25/30/35/40/50W FLD1-4: 20/25/30/35/40/50/60/70/80/90/100W FLD2-2: 20/25/30/35/40/50/60/70/80/90/100W FLD2-4: 100/120/150/180/200W	"X" Can be: FLD1-2, FLD1-4 FLD2-2, FLD2-4

4. Dimming or Not	5. Color Temperature	6. Beam Angle	7. Country of Manufacture (Optional)
"Y" Can be: D: Dimmable N: Non-dimmable	"Z" can be 27 to 70 denotes 2700K to 7000K, and each 100K gradually increase, max 7000K	D40=40° D60=60° D90=90° D120=120°	"-1"denotes made in USA Blank denotes made in China

Mounting Methods and Accessories

- Pendant Mounting



- Accessories (Standard)



Lifting Ring



Hanging Chain

- Ceiling Mounting

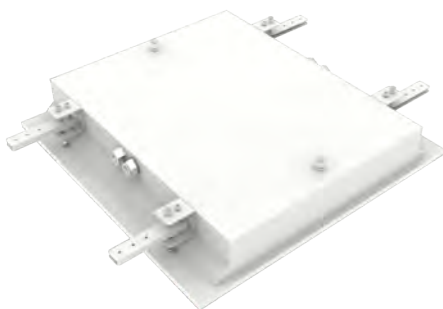


- Accessories (Standard)



Fixing Beam

- Recessed Installation



- Accessories (Standard)

