

FLD2 SERIES OUTDOOR LIGHTING

FLD2-15W-30K-D-KN
FLD2-15W-50K-D-KN

Customer Name: _____

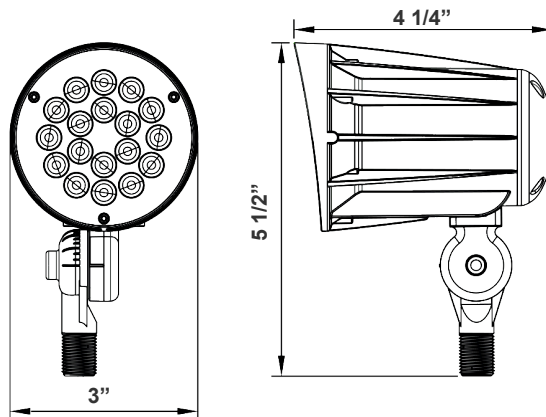
Project Name: _____

Note: _____

Type: _____



Selection:



5 1/2" (H) x 3" (W) x 4 1/4" (D)

Ideal for general site lighting, alleys, loading docks, doorway, pathway, and parking areas. Great for use with motion sensors and another instant on/off controls.

Features

- Die-cast Aluminum Housing with Powder Coat Finish (Dark Bronze)
- 1/2" Threaded Knuckle Stem
- 7-Year Warranty
- Lens Type: Plaid Tempered Glass + Aluminum Reflectors

Technical Specifications

Electrical:

- Voltage: 120-277V
- Power Factor: >0.9
- Wattage: 15W
- Efficacy: 126 LPW

Mechanical:

- Die-cast Aluminum Housing with Powder Coat Finish (Dark Bronze)
- Cord type: 18" SJTW 18/3 AWG cable
- 1/2" Threaded Knuckle Stem
- Operating Temperature: -40°F to 104°F
- IP Rating: IP65
- Suitable for Wet Locations
- 7-Year Warranty

Lighting:

- Dimming: 0-10V Dimming
- Lens Type: Plaid Tempered Glass + Aluminum Reflectors
- LED: LUMILEDs
- Total Lumens: 1900 LM
- Color Temperatures: 3000K/ 5000K
- Color Rendering Index: CRI ≥ 80
- Beam Angle: 35°
- Lifespan: 70,000 Hrs.

Applications:

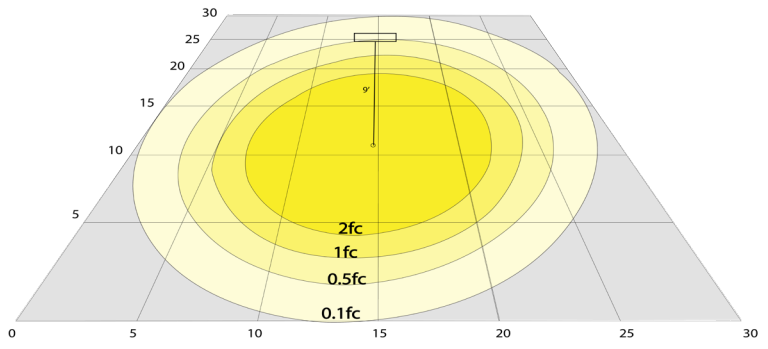
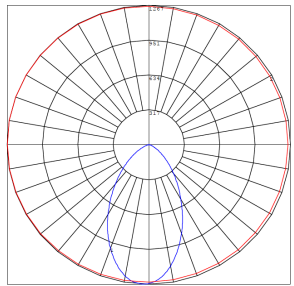
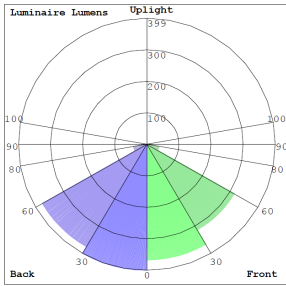
- Ideal for general site lighting, alleys, loading docks, doorway, pathway, and parking areas. Great for use with motion sensors and another instant on/off controls.

Other Models:

- 28W | 3500LM | FLD2-28W-30K-D-KN
- 28W | 3500LM | FLD2-28W-50K-D-KN
- 42W | 5200LM | FLD2-42W-30K-D-KN
- 42W | 5200LM | FLD2-42W-50K-D-KN



Photometrics: FLD2-15W-D-KN



BUG Rating: B1-U1-G0

15W 3000K, Area 30'x 30' Mounting Height: 9'

Other Views:



Side View



Front View



Back View

Performance Table: FLD2-15W-D-KN

MODEL NO.	Wattage	Voltage	Lumens	Color Temp.	BUG Rating	LPW
FLD2-15W-30K-D-KN	15W	120-277V	1900LM	3000K	B1-U1-G0	126
FLD2-15W-50K-D-KN	12W	120-277V	1900LM	5000K	B1-U1-G0	126

Sample Ordering

Model **Watt** **Color Temp.** **Dimming** **Mounting**
 - - - -
30K = 3000K
50K = 5000K

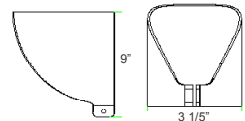
ACCESSORY:

Blank = No Option For Accessories
 FL-SH1 = Rotatable Shroud with Set Screw Fits FLD2-15W, FLV12-6W

ACCESSORIES:



FL-SH1
 Fits FLD2-15W, FLV12-6W



FL-SH1
 9" x 3 1/5"

Example:

1. FLD2-15W-30K-D-KN (FOR FLD2 15W 30K FIXTURE 120-277V)
2. FLD2-15W-30K-D-KN (FOR FLD2 15W 30K FIXTURE 120-277V)
 FL-SH1 (Fits FLD2-15W, FLV12-6W)

