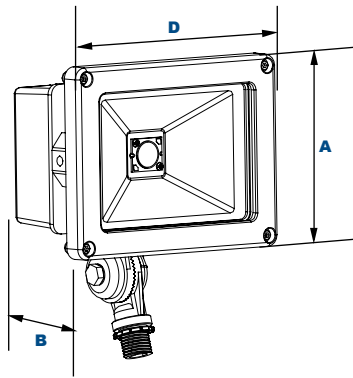


# FL20C3

L70  
25°C

128,000 Hours

## C<sup>3</sup> LED Small Flood Light



### Dimensions

<b>Width (D)</b>	6¾" (172mm)
<b>Length (B)</b>	4¾" (113mm)
<b>Height (A)</b>	5¼" (133mm)

The LEPG FL20 C<sup>3</sup> ColorLED static color flood light luminaire is available with a knuckle mounting feature and is designed to provide accent colored light using Blue, Green, Red or Amber COB LEDs. Typical lighting applications include retail centers, industrial parks, schools and universities, public transit and airports, office buildings and medical facilities. Mounting can be accomplished using ground attachment accessories and up to heights of 12 feet based on light level and uniformity requirements.

### Specifications and Features:

#### Housing:

Die Cast Aluminum Housing and Front Frame with Separate Ballast Compartment. Integral Heat-Dissipating Fins for Thermal Management. ½" Threaded Aperture with Liquid-Tight Connector.

#### Listing & Ratings:

CSA: Listed for Wet Locations, ANSI/UL 1598, 8750; IP66 Sealed LED Compartment.

#### Finish:

Textured Architectural Bronze Powdercoat Finish Over a Chromate Conversion Coating. Custom Colors Available Upon Request.

#### Lens:

Clear Flat Glass Lens.

#### Mounting Options:

Adjustable Knuckle with ½" NPS Threads.

#### COB LED:

ColorLED COB

#### Wattage:

COB 20w, System: 21w; (100w HID Equivalent)

#### Driver:

Electronic Driver, 120-277V, 50/60Hz; Less Than 20% THD and PF>0.90. Standard Internal Surge Protection 2kV. 0-10V Dimming Standard for a Dimming Range of 100% to 10%; Dimming Source Current is 150 Microamps.

#### Controls:

Fixtures Ordered with Factory-Installed Photocell or Motion Sensor Controls are Internally Wired for Switching and/or 1-10V Dimming Within the Housing. Remote Direct Wired Interface of 1-10V Dimming is Not Implied and May Not Be Available, Please Consult Factory. Fixtures are Tested with LEPG Controls and May Not Function Properly With Controls Supplied By Others. Fixtures are NOT Designed for Use with Line Voltage Dimmers.

#### Warranty:

5-Year Warranty for -30°C to +50°C Environment.

### Order Information Example:

FL20C31X20UBLZKP22

Shipped from Tampa location only

<b>FL20C3</b>	<b>1X20</b>	<b>U</b>			<b>K</b>	
Model	Wattage	Driver	CCT	Color	Mounting	Options
FL20C3=Small LED Flood	1X20=20w	U=120-277V	BL=Blue GR=Green RD=Red AM=Amber	Z=Bronze C=Custom (Consult Factory)	K=½" NPS Knuckle	P10=Pencil Photocell, 120VAC P12=Pencil Photocell, 208-277VAC P14=Pencil Photocell, 120-277VAC P20=Swivel Photocell, 120VAC P22=Swivel Photocell, 208-277VAC

### Project Information:

Project Name: \_\_\_\_\_ Fixture Type: \_\_\_\_\_

Complete Catalog #: \_\_\_\_\_ Date: \_\_\_\_\_

Comments: \_\_\_\_\_

### Certification & Listings:



Specifications subject to change without notice. Rev. 061419

Phone: 888-454-4480

[requests@warehouse-lighting.com](mailto:requests@warehouse-lighting.com)

### Accessories & Replacement Parts:



**FLPTFZ**      **FLSTK**      **FL20GTFZ\***

#### Mounting Accessories (Order Separately, Field Installed)

**FLPTFZ** Die-cast Post Top Fitter for 2 $\frac{3}{8}$ " to 3 $\frac{1}{2}$ " Poles, Bronze Powdercoat Finish, Three (3)  $\frac{1}{2}$ " Coin Plugs.

**FLSTK** Heavy Duty Ground Stake, Built-in Wiring Compartment with  $\frac{1}{2}$ " NPS Threaded Fitting, Black Plastic.

#### Accessories (Order Separately, Field Installed)

**FL20GTFZ** Die Cast Top Frame with Aluminum Glare Shield, Bronze Powdercoat Finish.

#### Replacement Parts (Order Separately, Field Installed)

**P18110** 110-130V, 120VAC Pencil Photocell

**P18112** 208-277V, 240VAC Pencil Photocell

**P18114** 120-277V, 50/60Hz Pencil Photocell

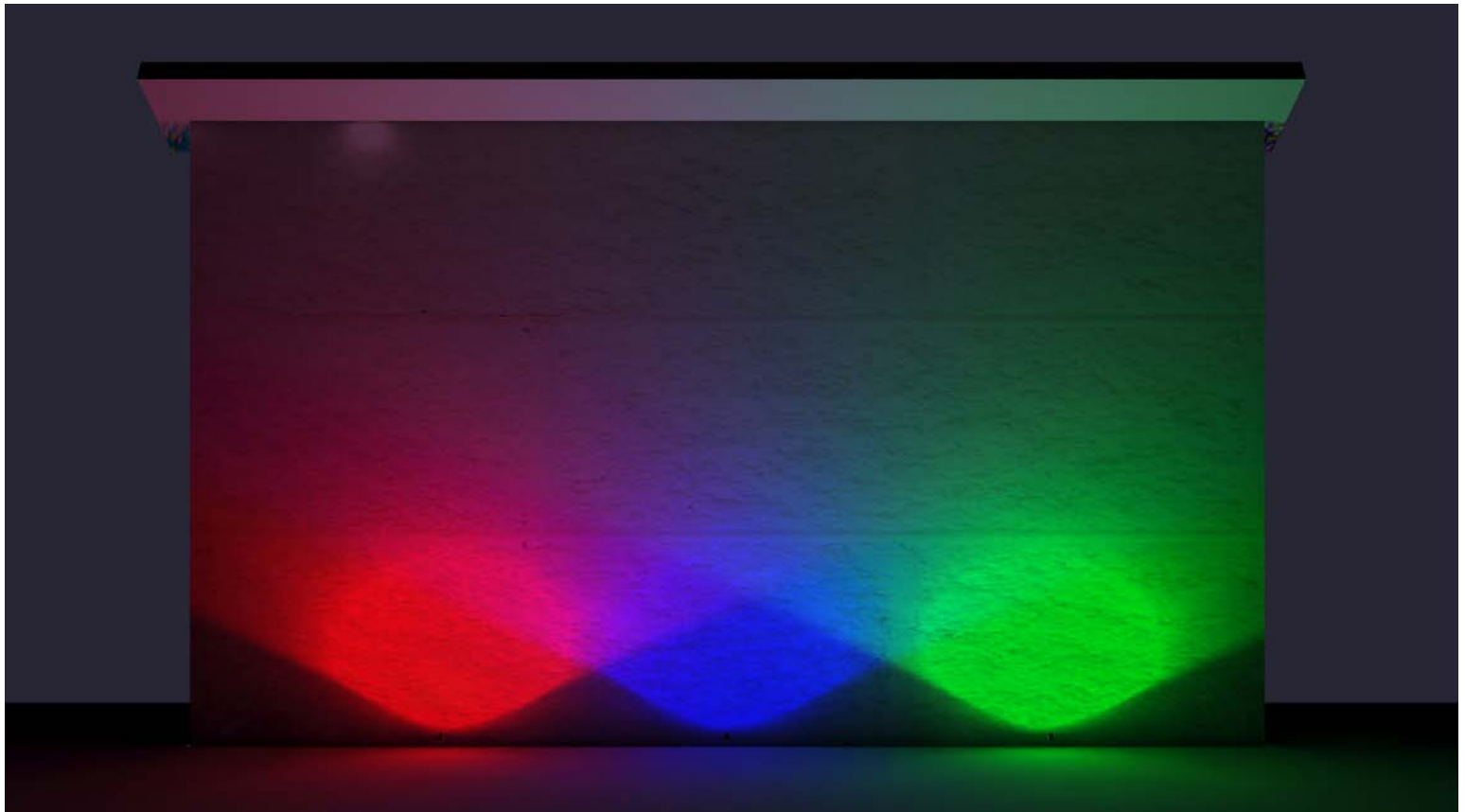
**P18120** 110-130V, 120VAC Swivel Photocell

**P18122** 208-277V, 240VAC Swivel Photocell



**P18110 & P18112**      **P18114**      **P18120 & P18122**

\*Shown mounted.



### Distribution

LED COB Watts	Input Watts	Beam
<b>COB LED 20w</b>	21	115°H x 100°V, NEMA 7H x 6V