



SMD 5050 LED ROPE LIGHT REEL 120V RGB

in touch with tomorrow
EXCLUSIVE MANUFACTURER



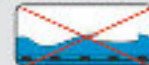
TECHNICAL SPECIFICATIONS

- **Voltage:** AC 220V / AC110V
- **Operating Power:** 4.25 W / Ft.
- **Frequency Range:** 50Hz / 60Hz
- **Insulation Strength:** >4M
- **Reel Length:** 165 Ft.
- **Cutting Minimum:** 39 Inches
- **PVC Color:** Transparent
- **SMD Rating:** 5050
- **Color:** RGB
- **Wire Type:** Alloy
- **Dimmable:** No
- **IP Rating:** IP65 Outdoor
- **LED Quantity In Reel:** 3000 LED's (18 LED's / Ft.)

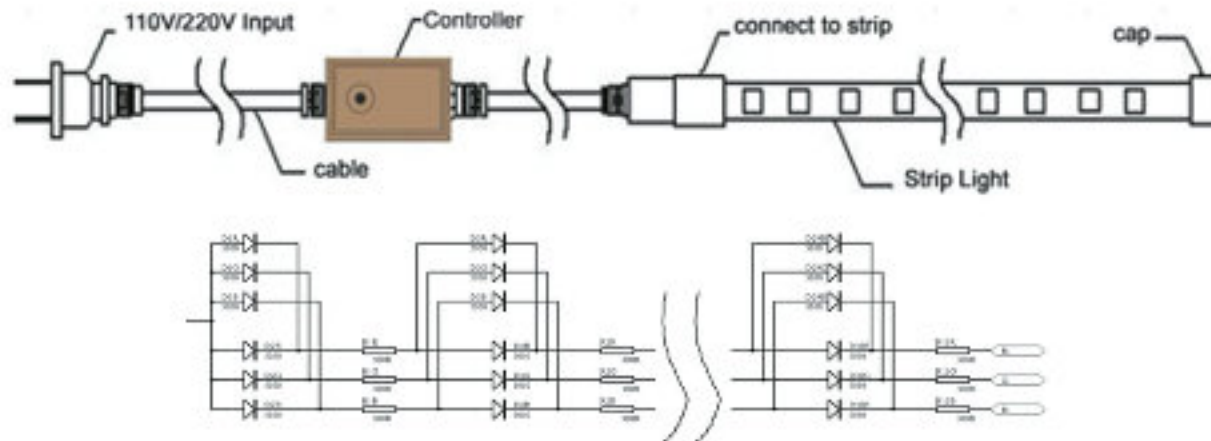


APPLICATIONS: Indoor/Outdoor Decorative Application. Bars, Hotels, Clubs, Stores, Restaurants, Home Projects, Etc.

WARNING! IP65 is WATER-RESISTANT (NOT Waterproof). Tape Light cannot be submerged under water.



DIAGRAM



ACCESSORIES

4-PIN
Splice Connector
EZ-L207HVRGB4PIN



RGB 8-Function
Power Cord
EZ-L206HVRGBPC



RGB
End Cap
EZ-ENDCAP



10MM
Mounting Clips
EZ-MOUCLI



120V RGB
24 Key IR Controller
EZ-HVRGBRC



120V RGB
RF Controller
EZ-HVRGBRF



120V RGB
2 Sided Female Connector
EZ-L209HVC4PIN



120V RGB
2 Sided Male Splice Tube
EZ-L208HVRGBCFPS



ELECTRICAL PROPERTIES

EZ PART NUMBER	VOLTAGE	COLOR	LUMENS	COLOR TEMPERATURE	RATING	WATER-RESISTANT	DIMMABLE
EZ5050IP68-HV120V-60RGB	120V	RGB	N/A	2300K-11000K	IP65	YES	NO

