

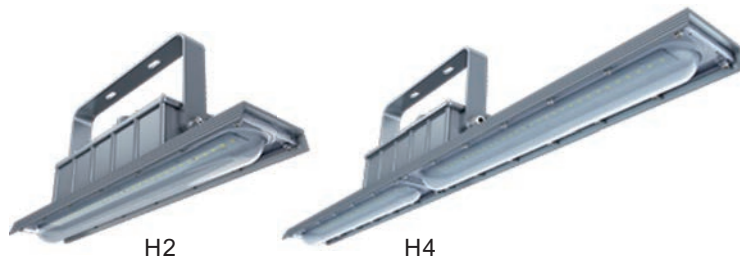
Durable Lighting Made for Industrial Safety



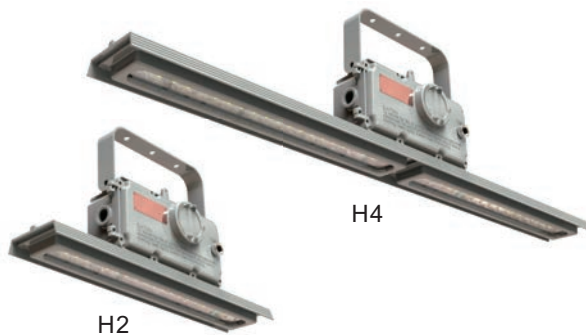
Hazardous Location LED Luminaire H Series (for North America)

Explosion-proof Light H Series (for North America)

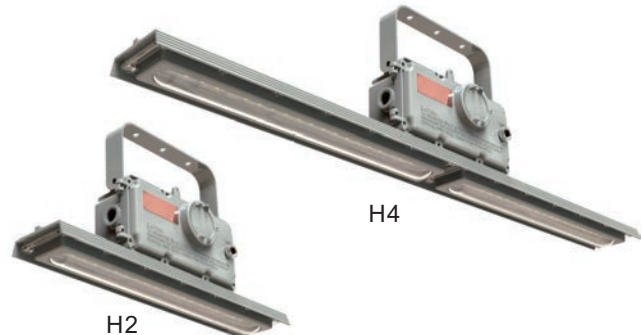
Regular Model



Side Opening Cover Model (Flat Glass)



Side Opening Cover Model (Convex Glass)



Product Description

The H Series LED luminaire is the ideal choice for marine and hazardous applications where a linear design is required. They can be used in locations where moisture, dirt, dust, corrosion and vibration may be present, or areas where wind, water, snow or high ambient can be expected.

Features

- 0-10V dimming
- Emergency function optional
- Compact and robust structure, excellent reliability
- Various installation ways for different applications
- Great impact resistance with IK08/IK10 certified
- Copper-free aluminum housing, great corrosion resistance and cooling performance

Compliance

UL 844 Hazardous Locations
Class I Division 2, Group A, B, C, D
Class II Division 1, Group E, F, G
Class II Division 2, Group F, G
Class III
Class I, Zone 2, Group IIC
Class II, Zone 21, Group IIIC
UL 1598 Wet Locations
UL 1598A Marine Outside Type
UL 924 Emergency Lighting
CSA C22.2#250.0:2021 Ed.5
CSA C22.2#137:2018 Ed.2
ETL (ATM for Report 105342415DAL-001)
ABS
DLC*
IP66/IP67
IK08 (glass cover)
IK10 (with wire guard)
1000 hours salt spray
5G vibration

** Not all product variations listed on this spec sheet are DLC qualified.
Visit www.designlights.org/search to confirm qualification.*



Application

- Power Plants
- Heavy Industrials Storage Facility
- Paper mills
- Wastewater Treatment Plants
- Loading Docks Platforms
- Offshore Environments
- Chemical Processing Facility
- Petrochemical Processing Facility
- Metallurgical Industry
- Coal Mine
- Food and Alcohol industry



Warranty

5-Year Standard Warranty
LED lumen Maintenance: L70> 150,000 Operation Hours@55°C

Technical Parameter

• Electrical

Specification	EX-20W H2YZDA	EX-40W H2YZDA
Rated Power	20W	40W
Input Voltage	100-277/200-480VAC, 12-36VDC	
Input Frequency	50/60Hz	
Power Factor	> 0.95	
Emergency Time*	3 hours	

*Emergency function optional.

• Optical

Specification	EX-20W H2YZDA	EX-40W H2YZDA
Lumen Output	2800lm	5600lm
Lumens Per Watt	140lm/W	
CCT	2700K-7000K	
CRI	> 70	
Beam Angle	120°	
Dimming	0-10V dimming	

• Environmental

Specification	EX-20W H2YZDA	EX-40W H2YZDA
Ambient Operating Temperature	-40°C to 60°C (-40°F to 140°F)	
Temperature Code	T3	

• Mechanical

Specification	EX-20W H2YZDA	EX-40W H2YZDA
Housing Material	Copper-free aluminum	
Diffuser	PC	
Hardware	Stainless steel	
Protection	IP66/IP67/IK08 (glass cover)/IK10 (with wire guard)/1000 hours salt spray/5G vibration	
Mounting	Ceiling, Wall, Pole, Pendant, Chain	
Cable Entries	Regular Model	Top: 3/4 NPT(standard), 1/2 NPT Two sides: 3/4 NPT(standard), 1/2 NPT
	Side Opening Cover Model	Top: 3/4 NPT(standard), 1/2 NPT Two sides: 3/4 NPT(standard), 1/2 NPT; plug or cable entry optional

Technical Parameter

• Electrical

Specification	EX-40W H4YZDA	EX-60W H4YZDA	EX-80W H4YZDA
Rated Power	40W	60W	80W
Input Voltage	100-277/200-480VAC, 12-36VDC		
Input Frequency	50/60Hz		
Power Factor	> 0.95		
Emergency Time*	3 hours		

*Emergency function optional.

• Optical

Specification	EX-40W H4YZDA	EX-60W H4YZDA	EX-80W H4YZDA
Lumen Output	5600lm	8400lm	11200lm
Lumens Per Watt	140lm/W		
CCT	2700K-7000K		
CRI	> 70		
Beam Angle	120°		
Dimming	0-10V dimming		

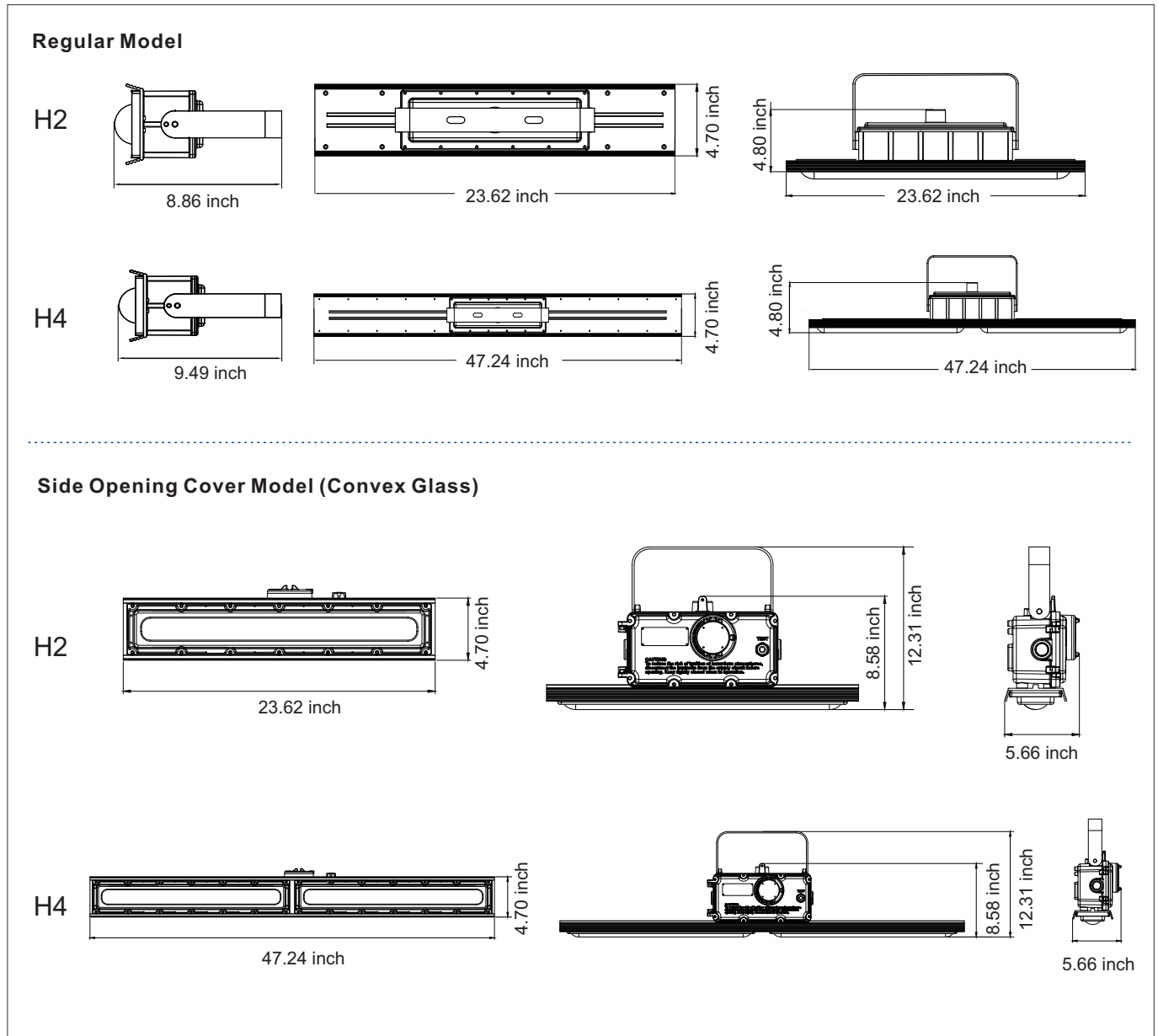
• Environmental

Specification	EX-40W H4YZDA	EX-60W H4YZDA	EX-80W H4YZDA
Ambient Operating Temperature	-40°C to 60°C (-40°F to 140°F)		
Temperature Code	T3		

• Mechanical

Specification	EX-40W H4YZDA	EX-60W H4YZDA	EX-80W H4YZDA
Housing Material	Copper-free aluminum		
Diffuser	PC		
Hardware	Stainless steel		
Protection	IP66/IP67/IK08 (glass cover)/IK10 (with wire guard)/1000 hours salt spray/5G vibration		
Mounting	Ceiling, Wall, Pole, Pendant, Chain		
Cable Entries	Regular Model	Top: 3/4 NPT(standard), 1/2 NPT Two sides: 3/4 NPT(standard), 1/2 NPT	
	Side Opening Cover Model	Top: 3/4 NPT(standard), 1/2 NPT Two sides: 3/4 NPT(standard), 1/2 NPT; plug or cable entry optional	

Product Dimensions

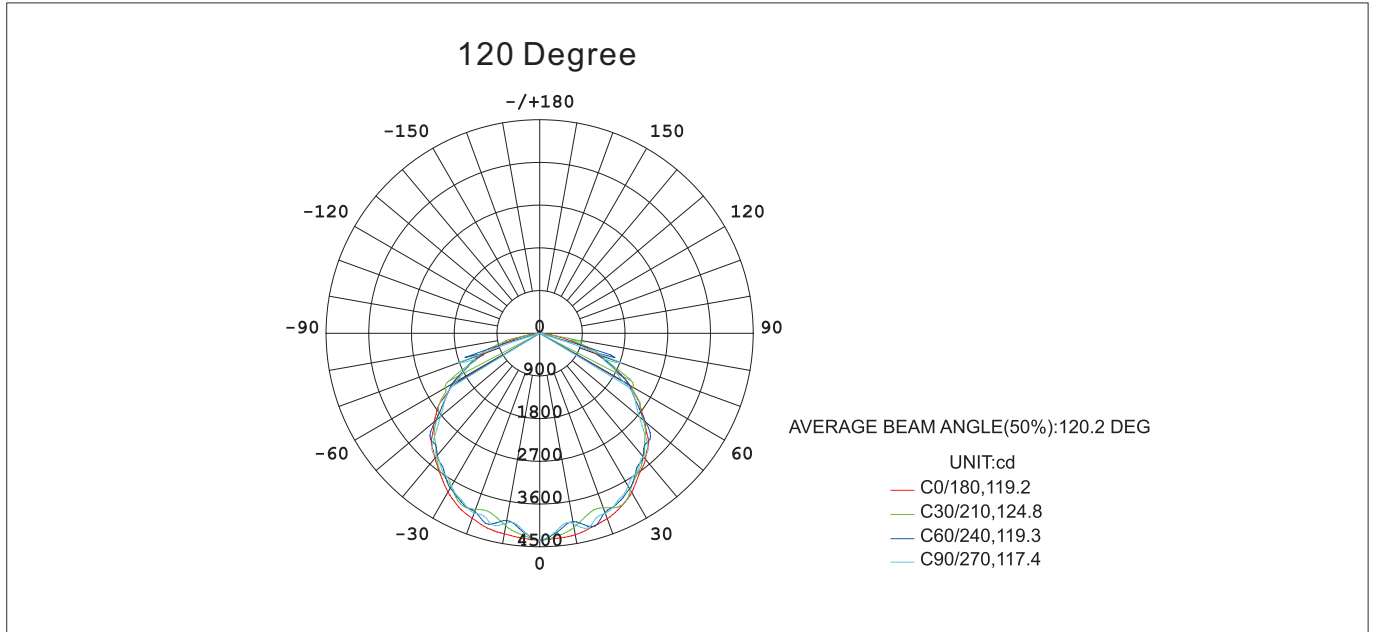


• Packing Information

Model	Net Weight	Gross Weight	Quantity/Carton	Package Dimensions (LxWxH)
H2 (Regular)	8.82 lb	19.84 lb	2 pcs	27.20x15.75x11.42inch
H4 (Regular)	12.13 lb	31.97 lb	2 pcs	51.18x15.75x11.42inch
H2 (Side Opening Cover Model)	9.92 lb*	20.94 lb*	2 pcs	27.20x15.75x11.42inch
H4 (Side Opening Cover Model)	13.23 lb*	33.07 lb*	2 pcs	51.18x15.75x11.42inch

* These values are estimated weights.

Photometric



Ordering Guide

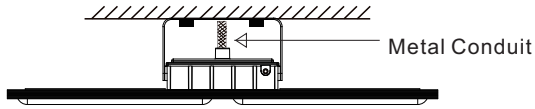
EX - yyyW X Y Z D A - 1

1
2
3
4
5
6
7
8

1. Product Categories	2. Wattage	3. Shell Shape Series	4. Dimming or Not
Explosion Proof Light	H2: 20/40W H4: 40/60/80W	“X” Can be: H2 H4	“Y” Can be: D: dimmable N: non-dimmable
5. Color Temperature	6. Beam Angle	7. Spherical Glass Cover Optional	8. Optional
“Z” can be 27 to 70 denotes 2700K to 7000K, and each 100K gradually increase, max 7000K	“D” can be: D120: 120°	“A” = C: spherical glass Blank: non long glass cover	“-1” NA (optional)

Mounting Methods and Accessories

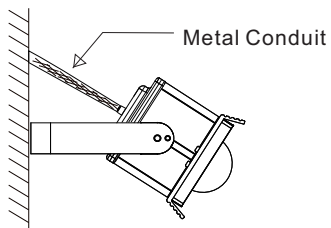
• Option 1: Ceiling Mounting



• Accessory



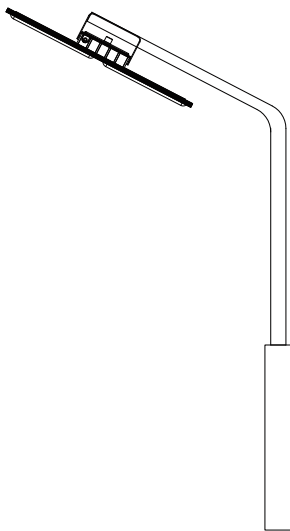
• Option 2: Wall Mounting



• Accessory



• Option 3: Pole Mounting

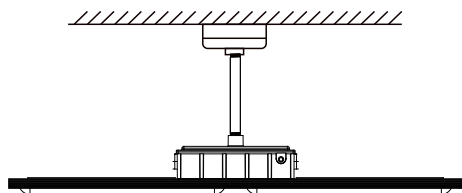


• Accessory



Mounting Methods and Accessories

• Option 4: Pendant Mounting



• Accessories

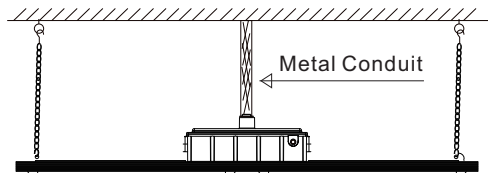


Junction Box
EX-HD51-KB1



Pole
Ex-Straight Pipe

• Option 5: Chain Mounting



• Accessories



Pendant Chain
Ex-Straight Chain



Metal Conduit
EX-NG