

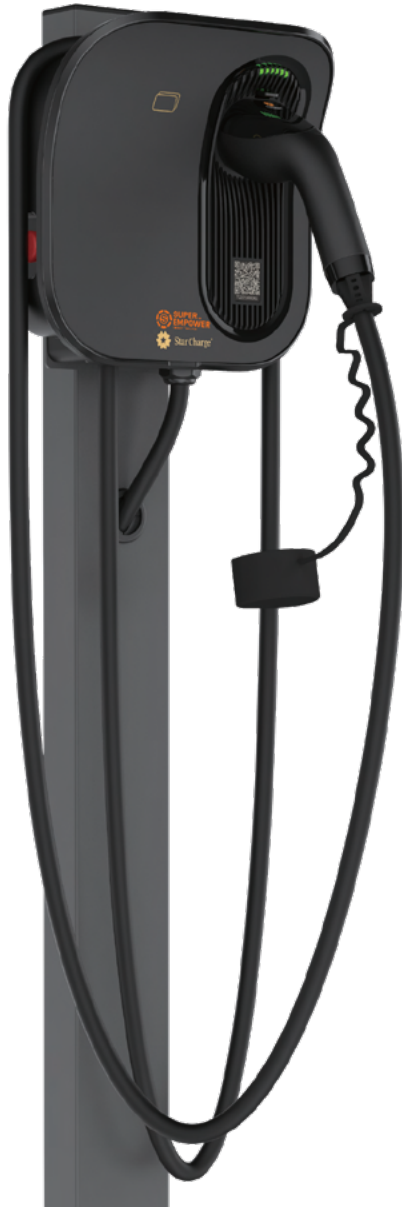


Artemis EV Charger | 48A

DESCRIPTION

- **The Artemis was designed to blend into the scenes, it does not demand the attention of the view.**
We removed any dazzling light effect from Artemis, only one single Moonglow LED is inlaid to show the charging status with refreshing light effects. Significantly, this enables us to cut down the standby power to only 4.5W, which contributes only 0.1 kWh standby consumption per day.
- **More compact installation is available now.**
The connector is held at a designed angle of 23.5°, which makes Artemis thinner by 20%. This leaves more room for the EV drivers to park. The magical angle also helps people to unplug and plug back the connector in a more ergo way. Easier to use, more space for everyone.
- **Multiple electrical protection functions for user safety.**
- **Equipped with Bluetooth for easy commissioning.**
- **Connect any backend based on OCPP 1.6J protocol.**
- **Certified MID measurement for power consumption.**

SPECIFICATION FEATURES



CATALOG		COMMENTS
PROJECT		
PREPARED BY		
DATE		

CERTIFICATION DATA



The Robust And Durable Design

Artemis' body protects the key components inside from harsh weather conditions and accidental damage. Therefore, Artemis runs rings around the competition with a way longer lifespan.



The remarkable IP and IK rating

Artemis is up to IP55, so it can operate under some harsh circumstances such as storms. Besides, Artemis reaches IK10 which means its cover can keep it safe and sound from most crashes and scratches.



User Safety

We applied Anti-flame material to the housing of Artemis to be prepared for unpredictable accidents. Complied with UI94 V0 level, the material makes Artemis less likely to be lit in the flames.



Electronic Safety

Artemis integrates multiple protection units to prevent hazards associated with over-voltage, under-current, residual current, short current, over-temperature, ground fault, surge, etc.



Anti-theft Design

A trustworthy anti-theft lock is equipped to ensure the safety of the internal units of Artemis. People can only use the designated key to unlock the front cover and take a look inside.



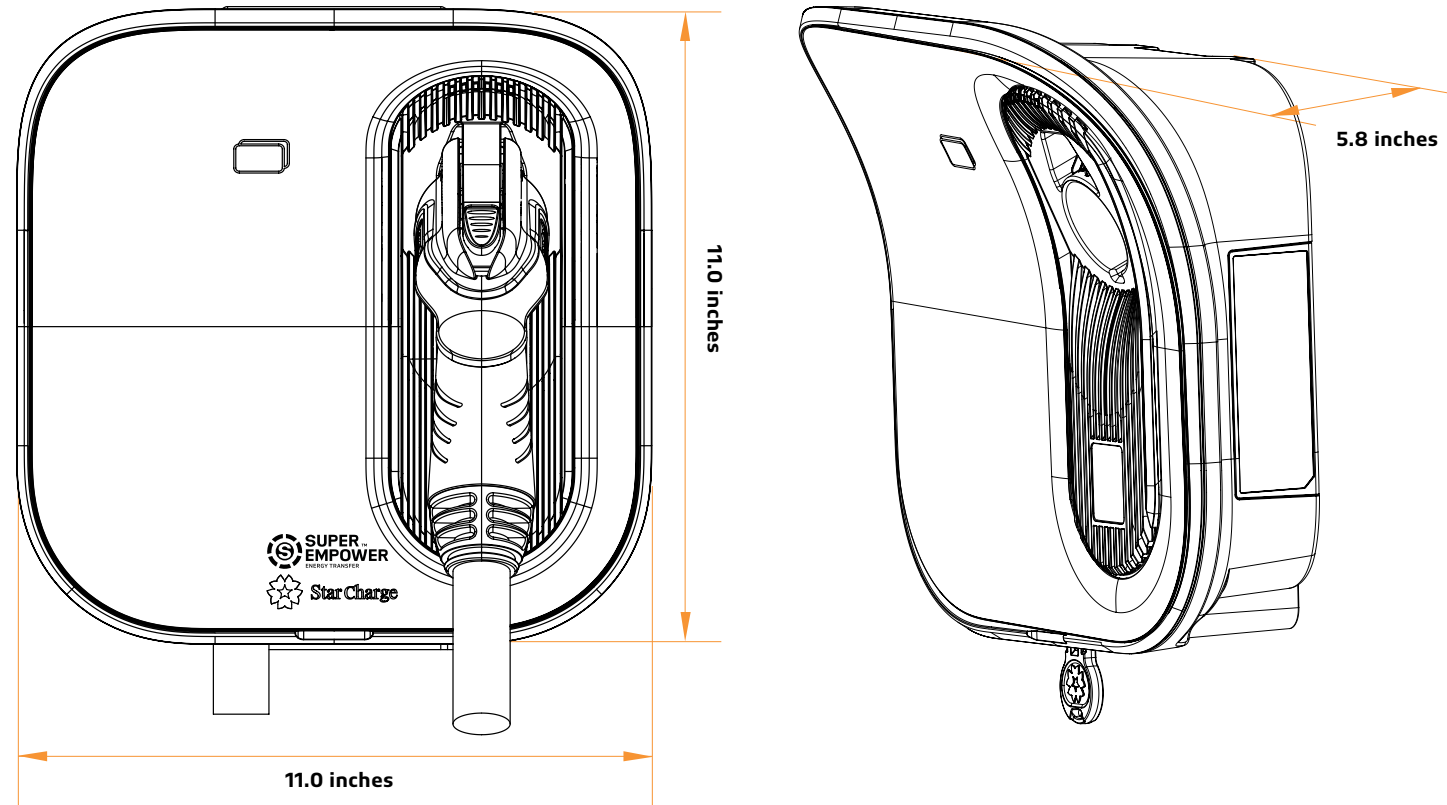
Data Security

Other than all these efforts that we have put into the safety of Artemis, some configuration options are available, such as the security chip that realizes the safety functions of data, surge, etc.



Artemis EV Charger | 48A

PRODUCT SIZE



CATALOG	PROJECT	COMMENTS



Artemis EV Charger | 48A

SPECIFICATIONS

CATALOG	PROJECT	COMMENTS

GENERAL INFORMATION	
Input/Output Power & Current Rating	11.5kW/48A Max.
Input/Output Voltage Rating	240Vac, 60Hz, Three-wire (L1+L2+PE)
Charging Interface	1 * SAE J1772
Metering	Onboard Metering Chip, Accuracy: Class 1
Personal Protection	CCID 20
Protection	Overcurrent, Overvoltage, Undervoltage, Residual current, Short circuit, Over temperature, Ground fault, Integrated surge protection
USER INTERFACE	
Display	Nixie Tube Display (Optional)
Status Indication	LED Indicators
Bluetooth	Bluetooth 5.0
User Authentication	RFID Card, QR Code, Credit Card (Optional)
RFID Reader	ISO/IEC 14443 A/B, ISO/IEC 18092, IEC/ISO 15693
COMMUNICATION	
Network Interface	4G, Wi-Fi, Ethernet
Protocol (EVSE&Backend)	Ocpp1.6J
Protocol (EVSE&EV)	Control Pilot (default), ISO 15118 (Optional)
ENVIRONMENTAL	
Operating Temperature	-22°F/-30°C to 122°F/50°C
Storage Temperature	24.8°F/-4°C to 185°F/85°C
Humidity	5% to 95% No Condensation
Altitude	≤3000m Above Sea Level
MECHANICAL	
NEMA Enclosure	Type 3S
IK Rating	IK10
Cooling	Natural Cooling
Charging Cable Length	16.4ft/5m
Dimensions (WxHxD)	11.0 x 11.0 x 5.8in
Weight	Approx. 11lb/5kg
Installation	Wall Mounting, Pole Mounting (Pole Is Optional)



Artemis EV Charger | 48A

PRODUCT NUMBER BUILDER



CATALOG	PROJECT	COMMENTS

AC0115AN030003

UL Standard Artemis EV Charger, 48V 11.5kW, No display, with 16.4ft Cable, with RFID, Bluetooth, Wifi and 4G

AC0115AN030093

UL Standard Artemis EV Charger, 48V 11.5kW, No display, with 16.4ft Cable, with Plug, with RFID, Bluetooth, Wifi and 4G



Artemis EV Charger | 48A

LED STATUS INDICATORS

Artemis chargers are equipped with different LED colors to represent various working states.

CATALOG	PROJECT	COMMENTS

LIGHTING EFFECT	MEANING	SUBSEQUENT OPERATION	
	Green color is flashing (cycle by 4 seconds)	The charger is in standby state without failure	Correctly connect the charging connector to the vehicle end (swap RFID to charge) Correctly connect the charging connector to the vehicle end and Start charging (plug and play)
	Blue color is always on	The charging cable is connected	Start charging by swiping the RFID card
	The blue color is flashing quickly (cycle by 0.125 seconds)	RFID card reading	Wait for authentication to complete
	The blue color is breathing	Charging in progress	The vehicle is being charged
	The blue color is flashing slowly (cycle by 0.5 seconds)	The vehicle suspends/ the terminal suspends (Suspend EV and suspend EVSE)	Check the vehicle screen for failure: If any failure is found, replace the charger to charge; if the failure is still displayed, please consult the vehicle dealer If not, the grid side has limited charging.
	Red color is always on	CP fault/Electric meter failure	Remove the faults according to the troubleshooting measures in the "Troubleshooting" section; if the problem cannot be removed, please contact your dealer or service provider.
	The red color is cycle flashing (1 time)	The emergency stop is pressed	
	The red color is flashing (2 times)	Ground fault	
	The red color is flashing (3 times)	Under-voltage	
	The red color is flashing (4 times)	Over-voltage	
	The red color is flashing (5 times)	Adhesion of relay	
	The red color is flashing (6 times)	Over-temperature	
	The red color is flashing (7 times)	Leakage fault	
	The red color is flashing (10 times)	Over-current	
	The red color is flashing continuously	No configuration ID	
	White color is normally on	Start up	Wait for the charger standby
	Yellow color is always on	The OCPP is not started and the connector is not inserted	Wait for the OCPP standby
	The yellow color is flashing	The OCPP is not started and the connector is inserted	

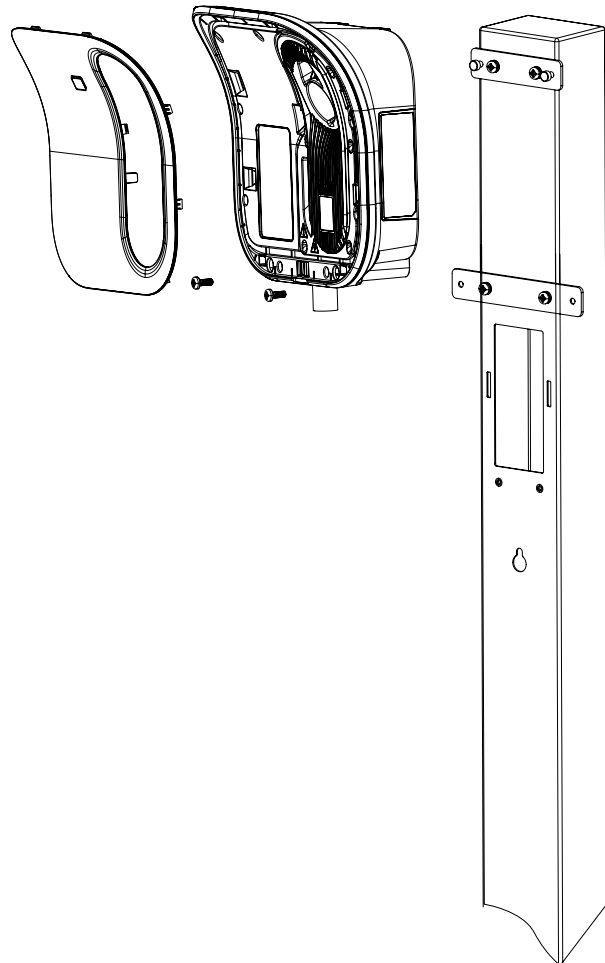
INSTALLATION GUIDE

01

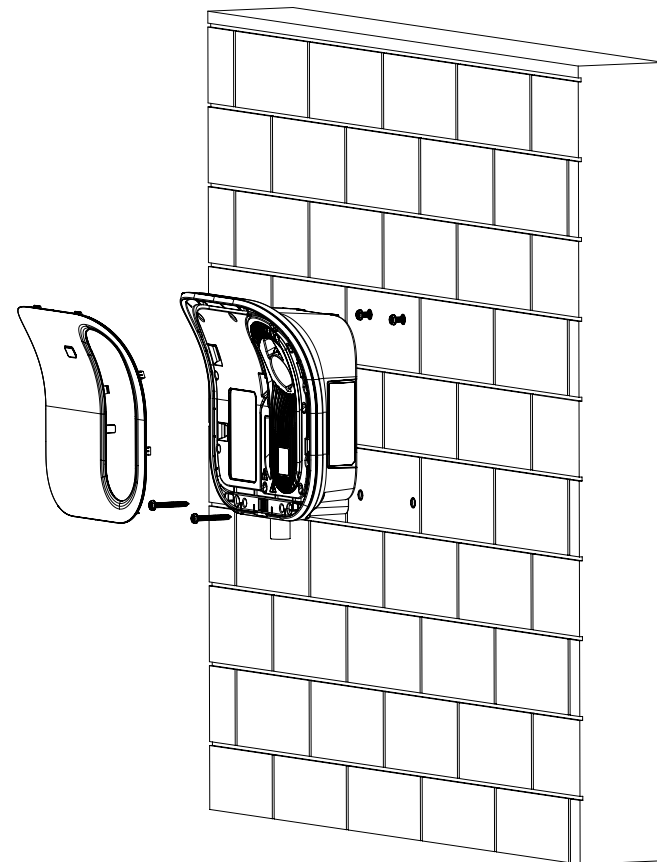
Fix The Body

Whether column or wall mounted, It takes only four screws to install your Artemis firmly on the mounting surface. If column mounted, these units may be mounted back-to-back to save space.

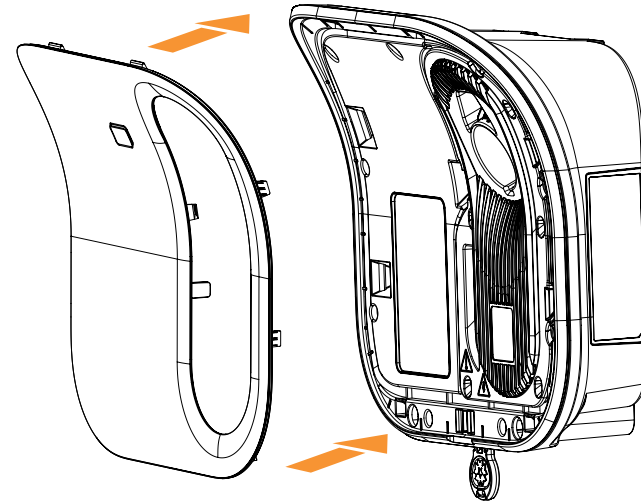
Pole Mount



Wall Mount



CATALOG	COMMENTS
PROJECT	
PREPARED BY	
DATE	



02

Connect The Cable

All terminals are located at the front of the Artemis, which significantly saves the effort of installation and maintenance. Maintenance personnel is now able to do the work by removing the front cover instead of the whole charger. The maintenance work gets easier including changing the SIM card, replacing the PCB, replacing the charging connector, updating local firmware, etc.

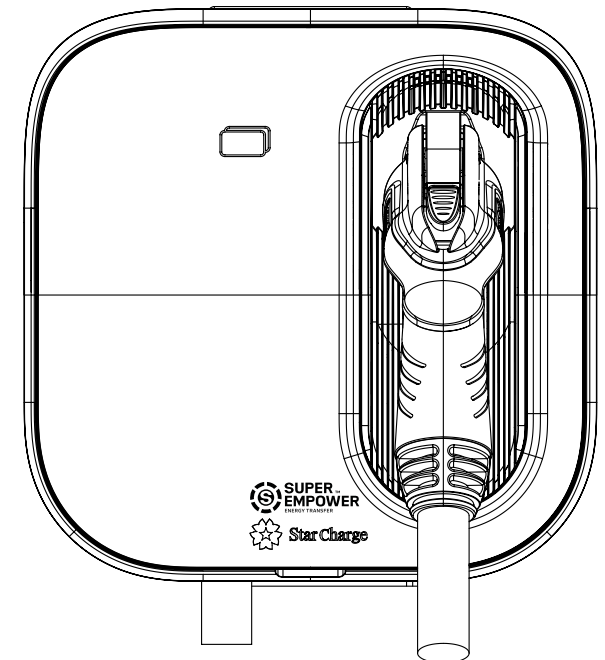
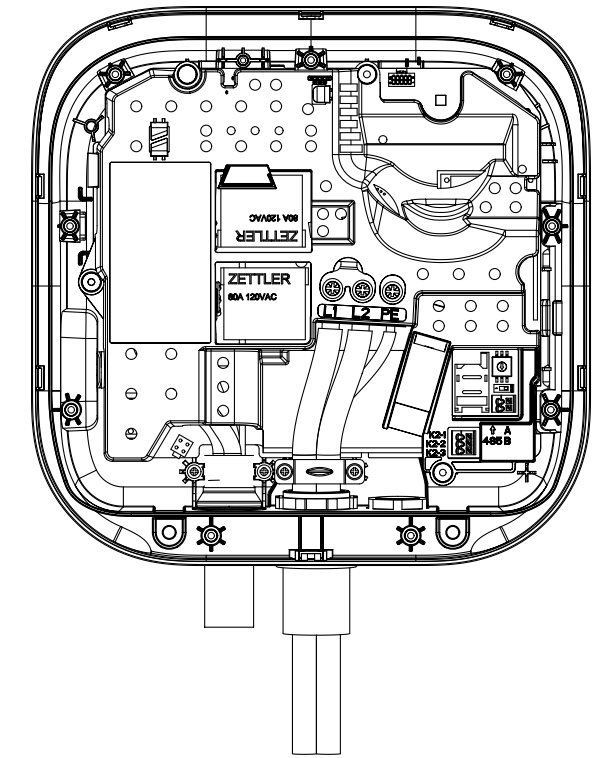
Notice: The cable shown in this picture is not included in the accessories of Artemis.

03

Power On

When the input cables are correctly connected, the only thing left is to power on your Artemis. The automatic configuration of the charger would start immediately, and your Artemis will be ready to go.

CATALOG	COMMENTS
PROJECT	
PREPARED BY	
DATE	



CATALOG	PROJECT	PREPARED BY	DATE	COMMENTS

CONFIGURATIONS

OUTPUT POWER	AUTHORIZATION	COMMUNICATION	SCREEN
<p>11.5kW</p>	<p>RFID</p> <p>APP</p> <p>NFC</p> <p>Bluetooth</p>	<p>4G</p> <p>WiFi</p> <p>Ethernet</p>	<p>No Screen</p>

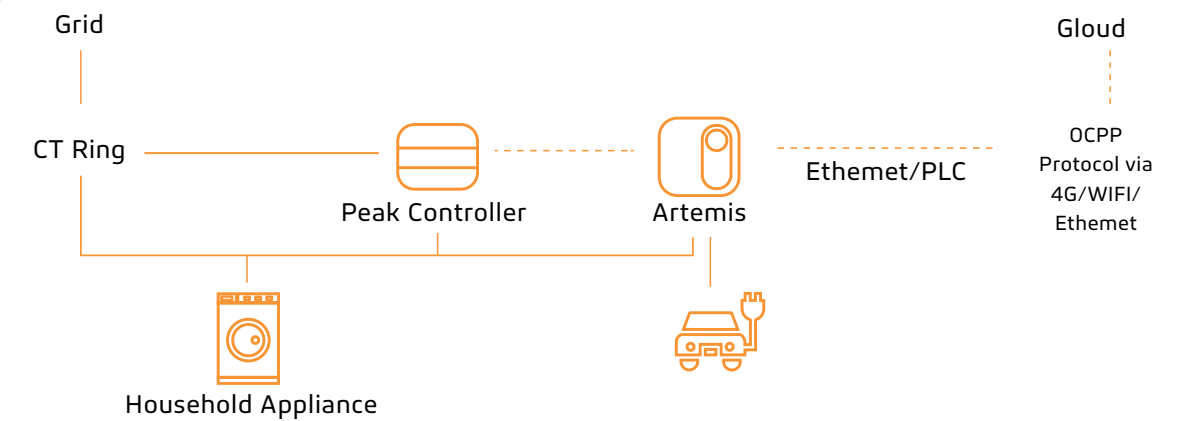
CATALOG	PROJECT	PREPARED BY	DATE	COMMENTS

SMART HOME WITH ARTEMIS AND MORE



SOLTECH SUPER EMPOWER Peak Controller

It helps Artemis to be everyone's Artemis, especially for the ones who live in a place of limited power. SOLTECH SUPER EMPOWER Peak Controller, according to your power setting, can automatically and dynamically distribute the power to every electrical appliance in your place.





Artemis EV Charger | 48A

CATALOG		COMMENTS
PROJECT		
PREPARED BY		
DATE		

WARRANTY

Artemis products are covered by a 5 year limited warranty. SOLTECH SUPER EMPOWER warrants to the original purchaser that this product is free from defects in materials and workmanship for the period of 5 years from date of purchase. To obtain warranty service please contact your local distributor or sales rep for further instruction.



1460 Park Avenue.
Emeryville, CA 94608 USA

www.soltechlighting.com

SOLTECH LLC reserves the right to update all product data sheets at any time. Consult SOLTECH marketing specialists for publication updates at hello@soltechlighting.com

Copyright©2023–2024 SOLTECH LLC,
All Rights Reserved.