

# LED DLC6S-2000e



Fixture Class: 6" Slim Fixed

## Product Description

**LED** DLC6S-2000e, compact and convenient, this 6-inch LED downlight is designed for quick and easy installation anywhere. With spring action clips and a separate junction box, this ultra-slim downlight is the perfect choice for recessed lighting. Energy Star Certified, IC-rated, and dimmable, the DLC6S-2000e triumphs over standard incandescent or fluorescent lighting. Guaranteed to save energy with every switch on, this LED downlight is available in Soft White (3000K), Bright White (4000K) and Cool White (5000K) – see Euri Lighting DLC6S-2040e and DLC6S-2050e.



**Estimated Energy Cost: \$1.44 per year**

\*Note: Design, features and specifications subject to change without notice. Some features may not be available on all models. Please visit [www.eurilighting.com](http://www.eurilighting.com) or call 1-310-787-1100 for more information.

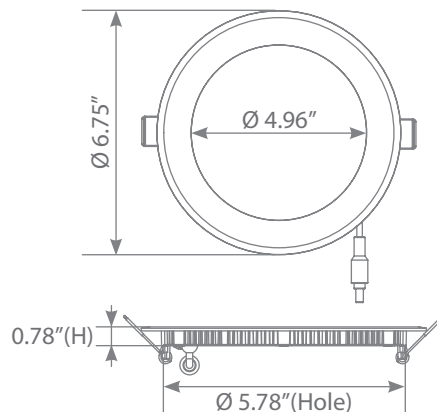
## Specifications

Input Power	Input Voltage	Lumen Output	Beam Angle	Center Beam	CCT
12 W	120V/60Hz	900 lm	120°	N/A	3000 K
CRI	Luminous Efficacy	Power Factor	Input Current	Base	Lamp Lifespan
80	75 lm/W	0.9	0.1 A	Junction Box	30,000 Hrs.

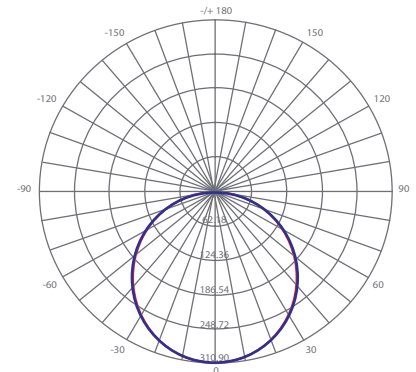
### Product Features

- Dimmable
- IC RATED Abutted & Covered
- No Housing Required
- Damp Rated

### Product Dimensions



### Product Photometric Data



# LED DLC6S-2040e

**4000K**  
CCT

Fixture Class: 6" Slim Fixed

## Product Description

**LED** DLC6S-2040e, compact and convenient, this 6-inch LED downlight is designed for quick and easy installation anywhere. With spring action clips and a separate junction box, this ultra-slim downlight is the perfect choice for recessed lighting. Energy Star Certified, IC-rated, and dimmable, the DLC6S-2040e triumphs over standard incandescent or fluorescent lighting. Guaranteed to save energy with every switch on, this LED downlight is available in Soft White (3000K), Bright White (4000K) and Cool White (5000K) – see Euri Lighting DLC6S-2000e and DLC6S-2050e.







**Estimated Energy Cost: \$1.44 per year**

\*Note: Design, features and specifications subject to change without notice. Some features may not be available on all models. Please visit [www.eurilighting.com](http://www.eurilighting.com) or call 1-310-787-1100 for more information.

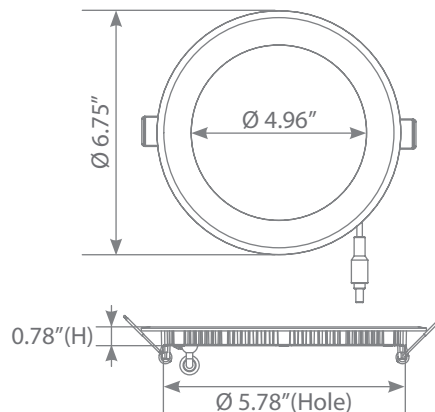
## Specifications

Input Power	Input Voltage	Lumen Output	Beam Angle	Center Beam	CCT
12 W	120V/60Hz	900 lm	120°	N/A	4000 K
CRI	Luminous Efficacy	Power Factor	Input Current	Base	Lamp Lifespan
80	75 lm/W	0.9	0.1 A	Junction Box	30,000 Hrs.

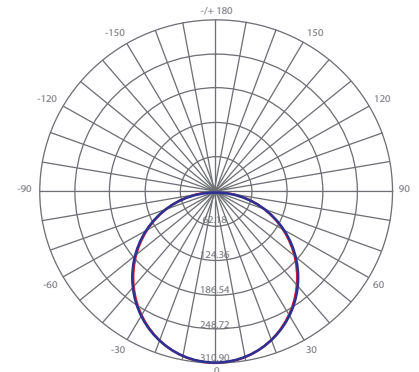
### Product Features

-  Dimmable
-  IC RATED Abutted & Covered
-  No Housing Required
-  Damp Rated

### Product Dimensions



### Product Photometric Data



# LED DLC6S-2050e

**5000K**  
CCT

Fixture Class: 6" Slim Fixed

## Product Description

**LED** DLC6S-2050e, compact and convenient, this 6-inch LED downlight is designed for quick and easy installation anywhere. With spring action clips and a separate junction box, this ultra-slim downlight is the perfect choice for recessed lighting. Energy Star Certified, IC-rated, and dimmable, the DLC6S-2050e triumphs over standard incandescent or fluorescent lighting. Guaranteed to save energy with every switch on, this LED downlight is available in Soft White (3000K), Bright White (4000K) and Cool White (5000K) – see Euri Lighting DLC6S-2000e and DLC6S-2040e.



**Estimated Energy Cost: \$1.44 per year**

\*Note: Design, features and specifications subject to change without notice. Some features may not be available on all models. Please visit [www.eurilighting.com](http://www.eurilighting.com) or call 1-310-787-1100 for more information.

## Specifications

Input Power	Input Voltage	Lumen Output	Beam Angle	Center Beam	CCT
12 W	120V/60Hz	900 lm	120°	N/A	5000 K
CRI	Luminous Efficacy	Power Factor	Input Current	Base	Lamp Lifespan
80	75 lm/W	0.9	0.1 A	Junction Box	30,000 Hrs.

### Product Features



Dimmable



Abutted & Covered

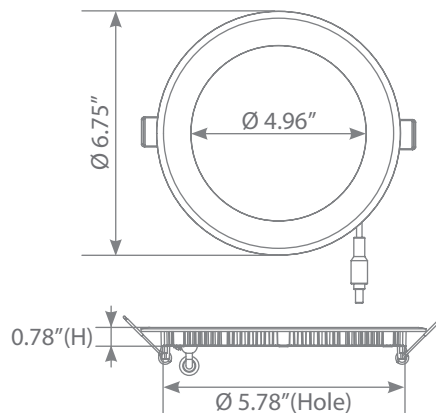


No Housing Required



Damp Rated

### Product Dimensions



### Product Photometric Data

