

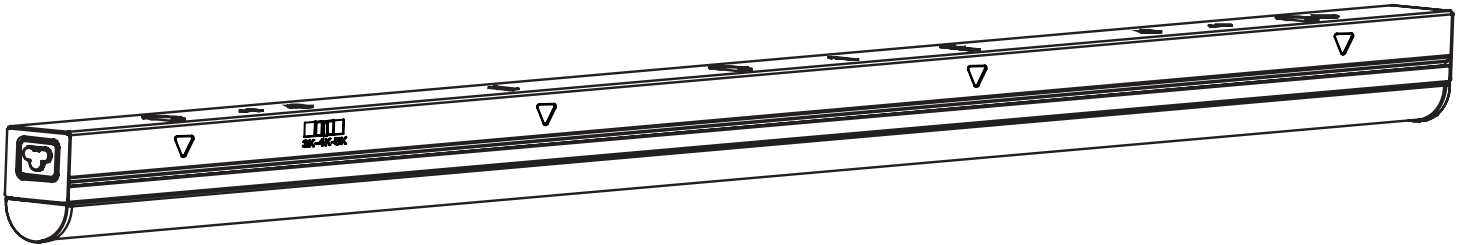


**SOLID STATE[®]
LIGHTING
INC.**

**Model # 556081110/556091110
Part # ECOST-2FT-1000LM-8-3CP-SV-TD/
ECOST-4FT-2000LM-8-3CP-SV-TD**

USE AND CARE GUIDE

ECO COLOR PREFERENCE STRIP LIGHT



Questions, problems, missing parts?
Call ETiSSL Customer Service
8 a.m. - 5 p.m., CST, Monday - Friday
1-855-ETi-SSL (1-855-384-7754)

www.ETiSSL.com








THANK YOU

*We appreciate the trust and confidence you have placed in ETi through the purchase of this LED light.
Visit us online to see our full line of products. Thank you for choosing ETi!*

Table of Contents

Table of Contents	2	Additional Parts Available to Purchase	4
Safety Information	2	Installation	5
Warranty	2	Surface Mounting	5
Pre-Installation	3	Suspension Mounting	9
Planning Installation	3	Linking Feature	12
Tools/Hardware Required	3	Adjusting the Color Temperature of the Light	13
Package Contents	3	Care and Cleaning	13
Hardware Included	4	Troubleshooting	13

Safety Information

 <p>WARNING: Carefully read and understand the information given in this manual before beginning the assembly and installation. Failure to do so could lead to electric shock, fire, or other injuries which could be hazardous or even fatal.</p>	<p>NOTICE: This equipment has been tested and found to comply with the limits for a Class B digital device, pursuant to Part 15 of the FCC Rules. These limits are designed to provide reasonable protection against harmful interference in a residential installation. This equipment generates, uses and can radiate radio frequency energy and, if not installed and used in accordance with the instructions, may cause harmful interference to radio communications. However, there is no guarantee that interference will not occur in a particular installation. If this equipment does cause harmful interference to radio or television reception, which can be determined by turning the equipment off and on, the user is encouraged to try to correct the interference by one or more of the following measures:</p> <ul style="list-style-type: none"><input type="checkbox"/> Reorient or relocate the receiving antenna.<input type="checkbox"/> Increase the separation between the equipment and the receiver.<input type="checkbox"/> Connect the equipment into an outlet on a circuit different from that to which the receiver is connected.<input type="checkbox"/> Consult the dealer or an experienced radio/TV technician for help.
 <p>WARNING: This portable luminaire has a grounding type attachment plug as a feature to reduce the risk of electric shock. This plug will fit in a polarized outlet only one way. If the plug does not fit fully in the outlet, reverse the plug. If it still does not fit, contact a qualified electrician. Never use with an extension cord unless plug can be fully inserted. Do not alter the plug.</p>	
 <p>WARNING: Ensure the electricity to the wires you are working on is shut off. Either remove the fuse or turn off the circuit breaker.</p>	
 <p>CAUTION: For safety, linked strip lights can either be installed as plug-in or direct wire, but never combined.</p>	
<p>NOTICE: Connect up to a maximum of 30 strip lights. Do not exceed 300 total watts for interconnected lights.</p>	
<p>NOTICE: When using the power cord, the maximum distance to the electrical receptacle is determined by the 5 ft. power cord length.</p>	
<p>NOTICE: Do not use power cord with on/off switch for surface mounting.</p>	 <p>CAUTION: Changes or modifications not expressly approved by the party responsible for compliance could void the user's authority to operate the equipment.</p>
	<p>NOTICE: Do not use this fixture with a dimmer switch.</p>

Warranty

WHAT IS COVERED

The manufacturer warrants this light fixture to be free from defects in materials and workmanship for a period of five (5) years from date of purchase. This warranty applies only to the original consumer purchaser and only to products used in normal use and service. If this product is found to be defective, the manufacturer's only obligation, and your exclusive remedy, is the repair or replacement of the product at the manufacturer's discretion, provided that the product has not been damaged through misuse, abuse, accident, modifications, alterations, neglect, or mishandling.

WHAT IS NOT COVERED

This product is warranted for a period of 5 years from the date of original purchase against defects in materials and workmanship. If this product should fail to operate due to defects in material or workmanship within 60 months of purchase, see www.ETiSSL.com for details. This product will be repaired or replaced, at ETi's option. This warranty is expressly limited to repair or replacement of product and liability for direct, incidental, or consequential damages is hereby expressly excluded. Some states do not allow exclusions of direct, incidental or consequential damages, so the above limitation of exclusion may not apply to you. This warranty gives the consumer specific legal rights, which vary from state to state. **WARRANTY IS VOID IF PRODUCT IS NOT USED FOR THE PURPOSE WHICH THIS PRODUCT IS MANUFACTURED.**

Pre-Installation

PLANNING INSTALLATION

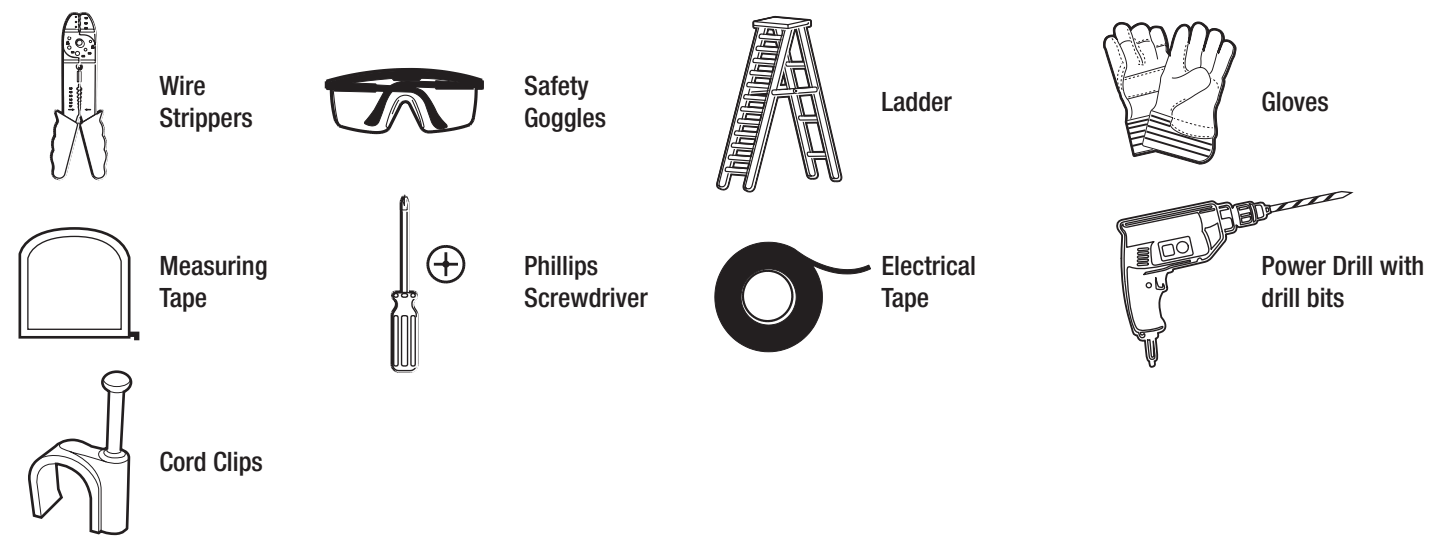
Before beginning assembly, installation, or operation of product, make sure all parts are present. Compare parts with the Hardware Included and Package Contents lists. If any part is missing or damaged, do not attempt to assemble, install, or operate the product. Contact Customer Service for replacement parts.

 **NOTE:** Keep your receipt and these instructions for proof of purchase.

If you are unfamiliar with electrical installations, we recommend you contact a qualified electrician to do the installation.

TOOLS/HARDWARE REQUIRED

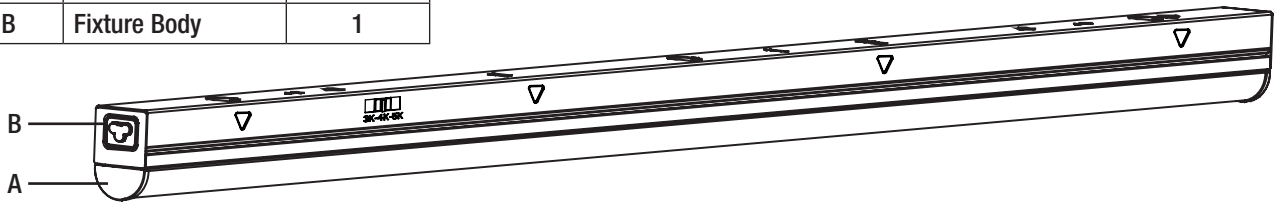
Tools and hardware required vary by type of installation.



* For Suspension Mounting only

PACKAGE CONTENTS

Part	Description	Quantity
A	Lens Cover	1
B	Fixture Body	1



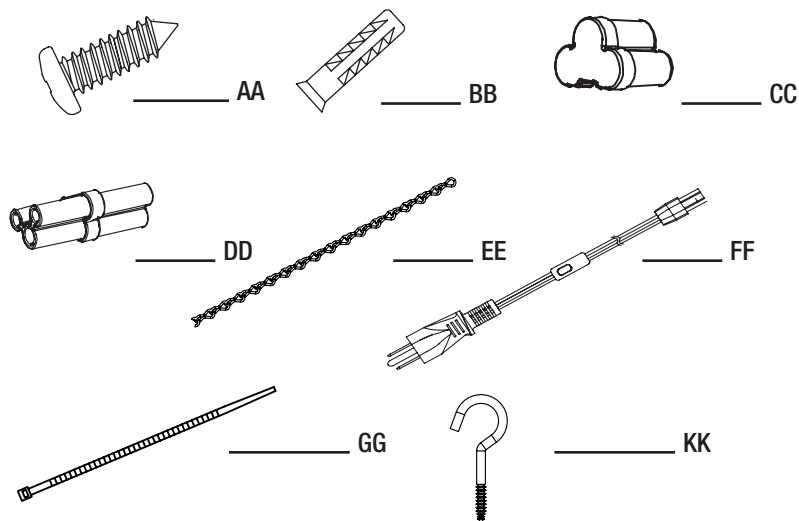
Pre-Installation (continued)

HARDWARE INCLUDED



NOTE: Hardware not shown to actual size.

Part	Description	Quantity
AA	Mounting Screw	2
BB	Drywall Anchor	2
CC	End Cover	2
DD	End-to-end Connector	1
EE	Chains	2
FF	Power Cord with ON/OFF Switch (5 ft.)	1
GG	Cable Tie	1
KK	Hook Screw	2



ADDITIONAL PARTS AVAILABLE TO PURCHASE



NOTE: The hardware kit for surface mounting is sold as a separate accessory. Visit www.ETISSL.com for more information and to purchase.

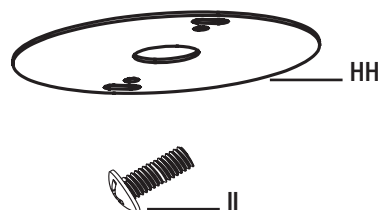


NOTE: Separate parts not shown to actual size.

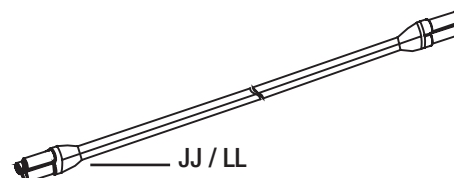
Part	Description	Quantity
HH	Electrical Box Plate	1
II	Electrical Box Screw	2

Order # 54657102 (Plate & Screws)

* Required for Surface Mounting



Part	Order #	Description	Quantity
JJ	000688131	Linking Cable (1 ft.)	1
LL	54242102	Linking Cable (5 ft.)	1



Installation

Select a suitable location that can support the weight of the fixture. Determine the method for mounting the fixture before drilling, based on the type of ceiling.



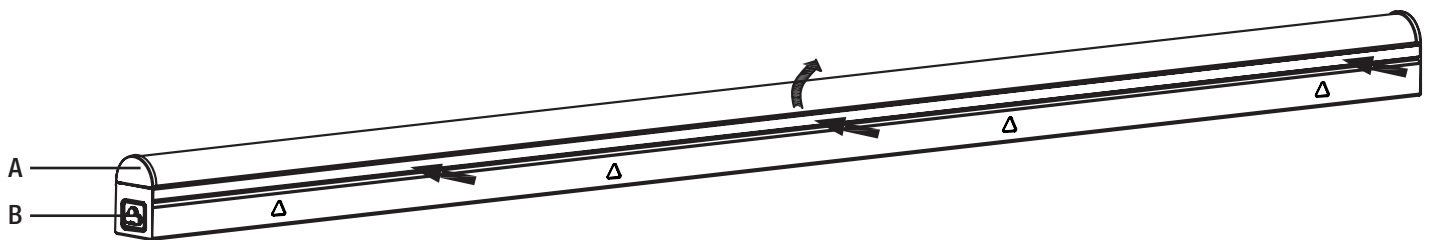
WARNING: RISK OF ELECTRIC SHOCK. Ensure the electricity to the wires you are working on is shut off. Either remove the fuse or turn off the circuit breaker before removing an existing light fixture or installing the new one.

Surface Mounting

With power disconnected to the electrical box, remove the existing fixture. Make a sketch of how the current fixture is wired (by wire color) or mark the wires with masking tape and a pencil so you will know how to properly reconnect the wires to the new LED light fixture.

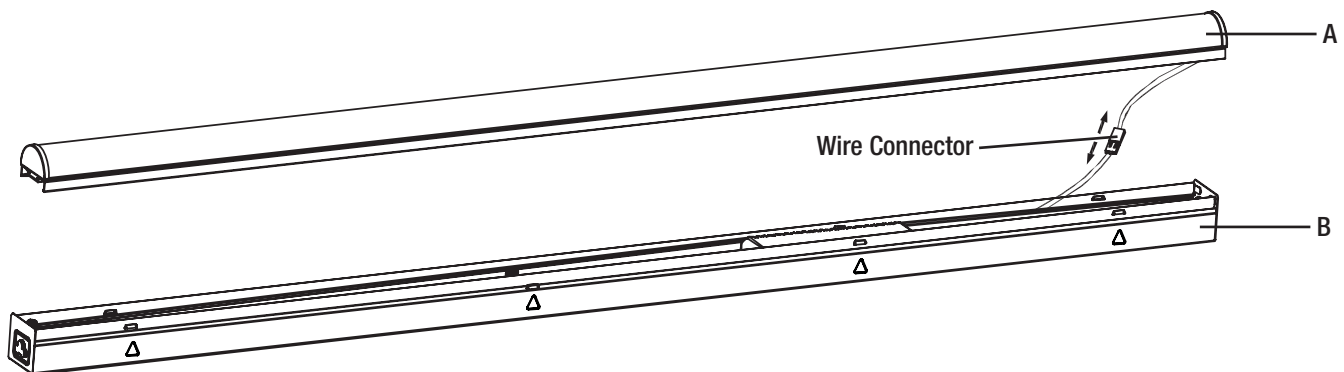
1 Separating the lens cover from the fixture body

- Press the sides of the fixture body (B) inward, in the direction of the arrows, and remove the lens cover (A) with the other hand.



2 Preparing the fixture for installation

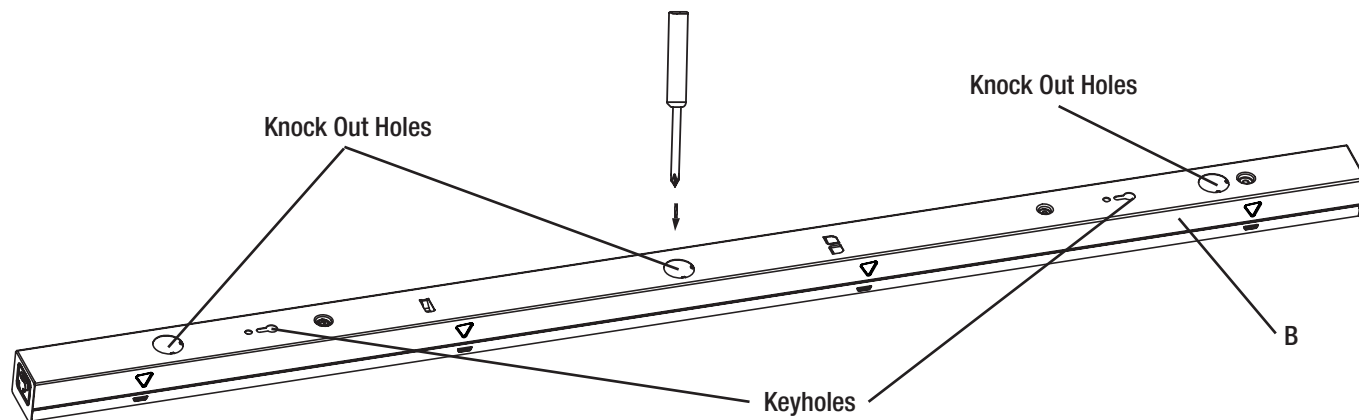
- After separating the lens cover (A) from the fixture body (B), unplug the wire connector to disconnect the terminal wires.



Surface Mounting (continued)

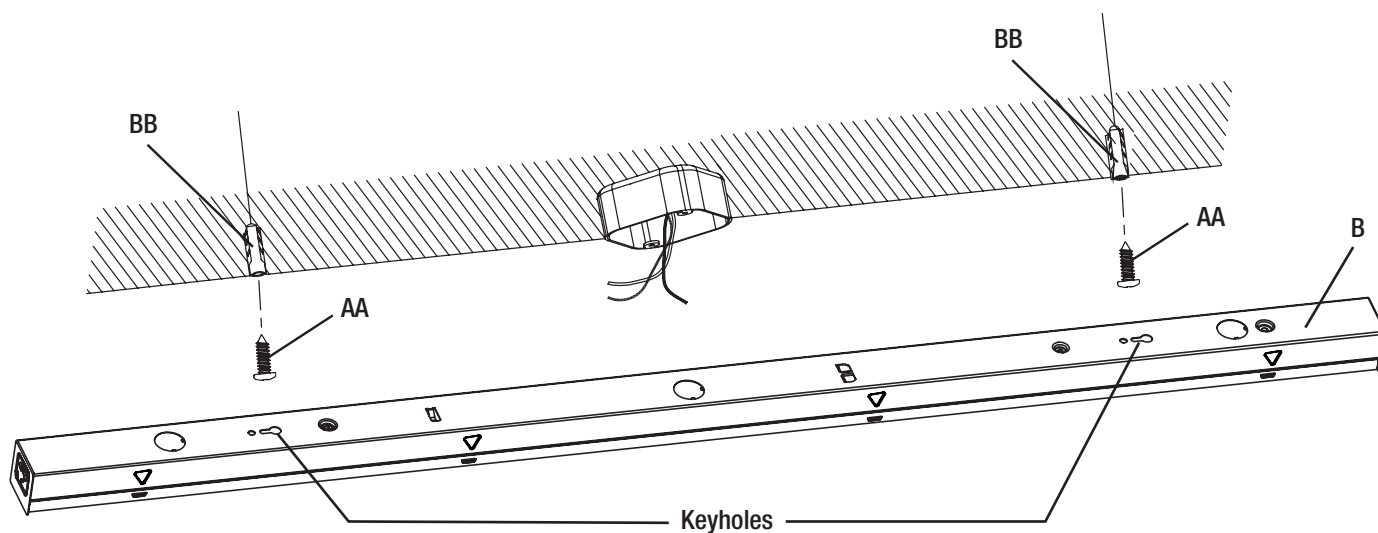
3 Removing one of the knock outs in the fixture

- Hold the fixture body (B) up to the mounting surface to determine which knock out hole to use for wiring the fixture.
- Mark two keyhole locations on the mounting surface.
- Using a screwdriver, punch out one of the large knock out holes in the fixture body (B) for wiring, based on the installation position.



4 Preparing to mount the fixture

- Drill a 1/8-in. pilot hole into the screw locations marked on the ceiling. You can also use an awl or nail to dimple the screw holes.
- Install a drywall anchor (BB) and a mounting screw (AA) in each drilled mounting hole, but do not tighten fully.



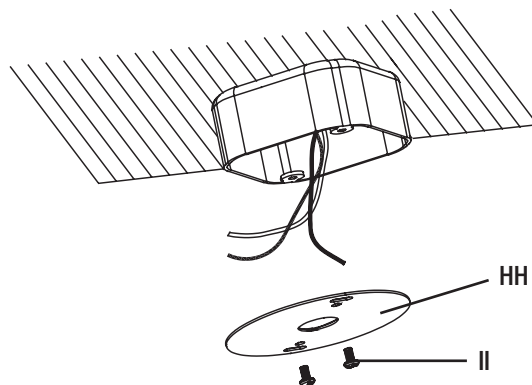
Surface Mounting (continued)

5 Attaching the electrical box plate

- Feed the electrical wires from the electrical box through the center of the electrical box plate (HH - not included).
- Secure the electrical box plate (HH - not included) to the electrical box with the electrical box screws (II - not included).

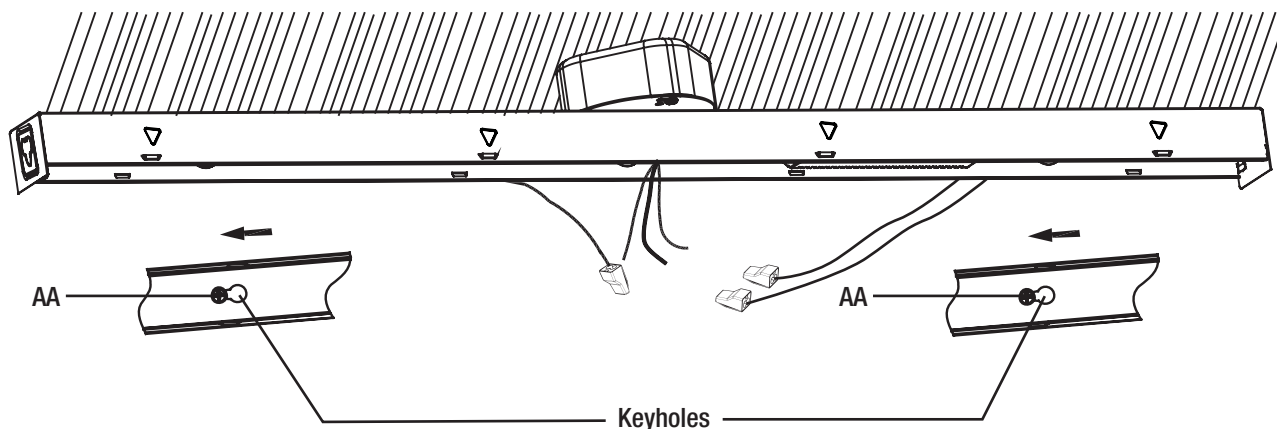


NOTE: The hardware kit for surface mounting is sold as a separate accessory. Visit www.ETiSSL.com for more information and to purchase.



6 Mounting the light fixture

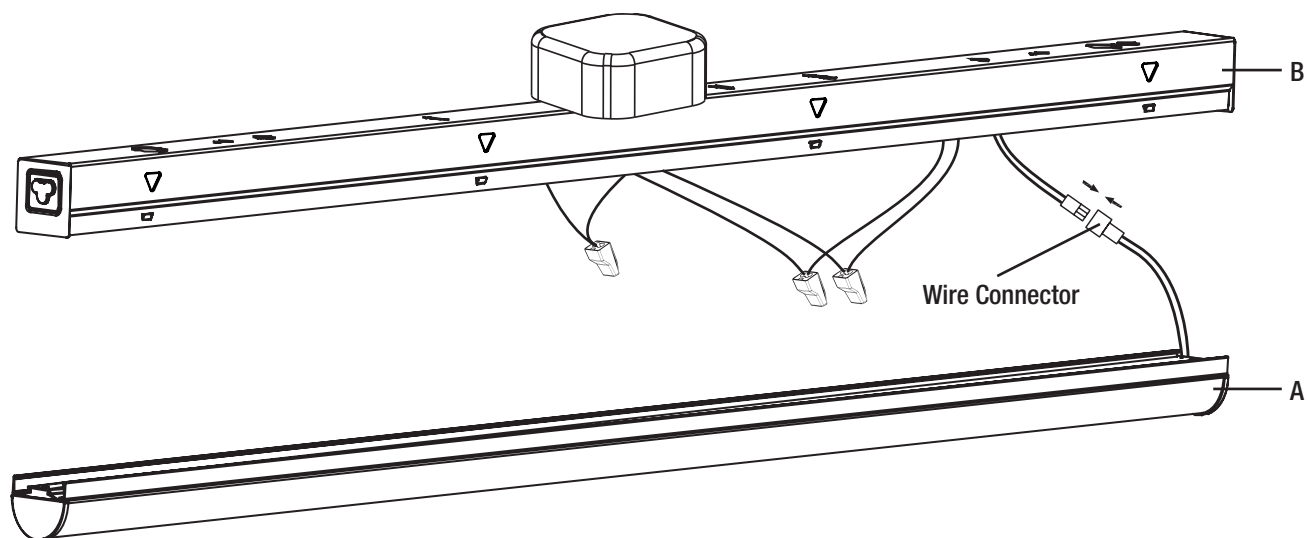
- Feed the electrical wires from the electrical box through the open knock out hole in the fixture body (B).
- Align the two mounting keyholes on the fixture body (B) with the two mounting screws (AA) in the ceiling.
- Once the screw heads are through the large ends of the keyholes, slide the fixture body (B) to the left until the heads of the mounting screws (AA) slide into the narrow ends of the keyholes.
- Finish tightening the mounting screws (AA) until the fixture body (B) is tightly secured to the mounting surface.



Surface Mounting (continued)

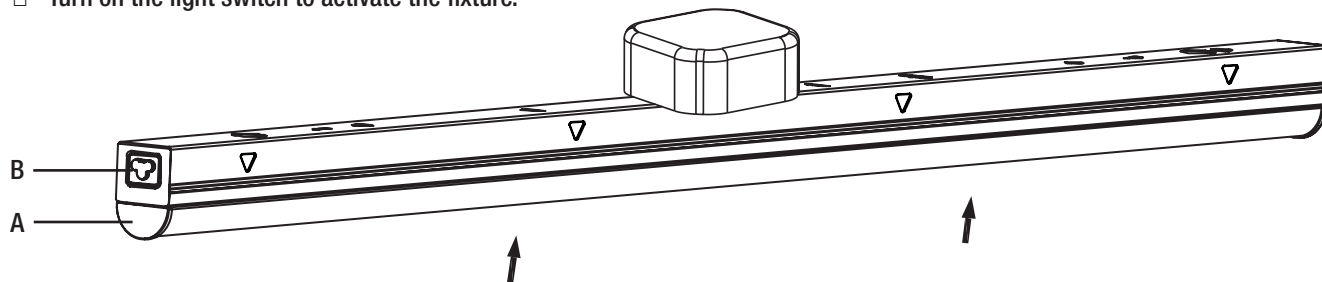
7 Making the electrical connections

- Insert the hot and neutral (black and white) wires from the electrical box into the wire connectors of the same color wires from the fixture body (B).
- Insert the ground wire from the electrical box into the wire connector attached to the green wire from the fixture body (B).
- Reconnect the terminal wires with the attached wire connector.



8 Completing the installation

- Snap the lens cover (A) onto the fixture body (B).
- Restore the power to the electrical box.
- Turn on the light switch to activate the fixture.

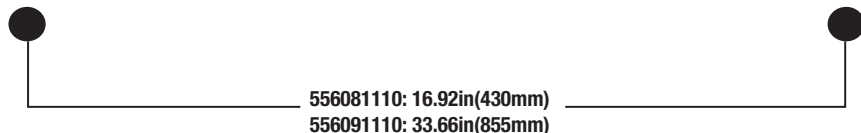


Suspension Mounting

Select a suitable location that can support the weight of the fixture. Determine the method for mounting the fixture before drilling, based on the type of ceiling.

1 Mark two spots on the ceiling

- Mark two spots on the ceiling 16.92in(430mm) / 33.66in(855mm) apart for suspension mounting before the installation.

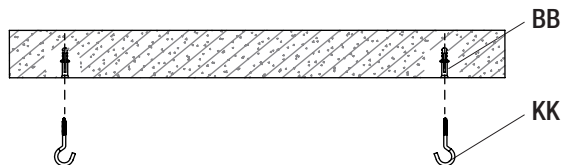


MOUNTING TO A DRYWALL CEILING:

- Drill a 1/8-in. pilot hole into each of the screw locations marked on the ceiling. You can also use an awl or nail to dimple the screw holes.
- Install a drywall anchor (BB) and a hook screw (KK) in each drilled mounting hole.

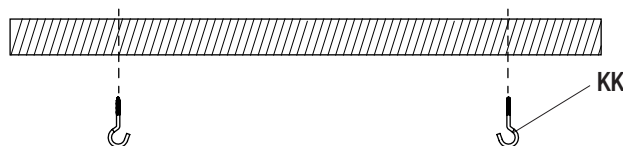


NOTE: The drywall anchors (BB) are only to be used for mounting the fixture to plaster or drywall surfaces.



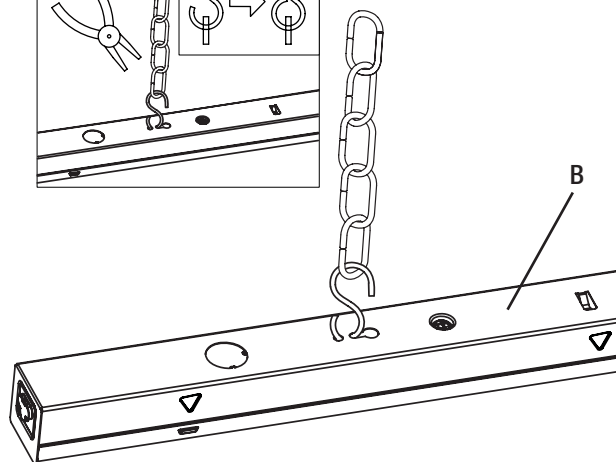
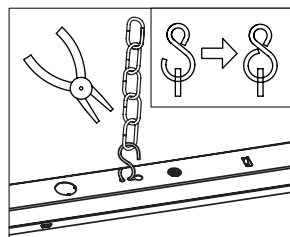
MOUNTING TO A WOOD CEILING:

- Drill a 1/16 in. diameter pilot hole in the ceiling.
- Tighten the hook screw (KK) into the wood.



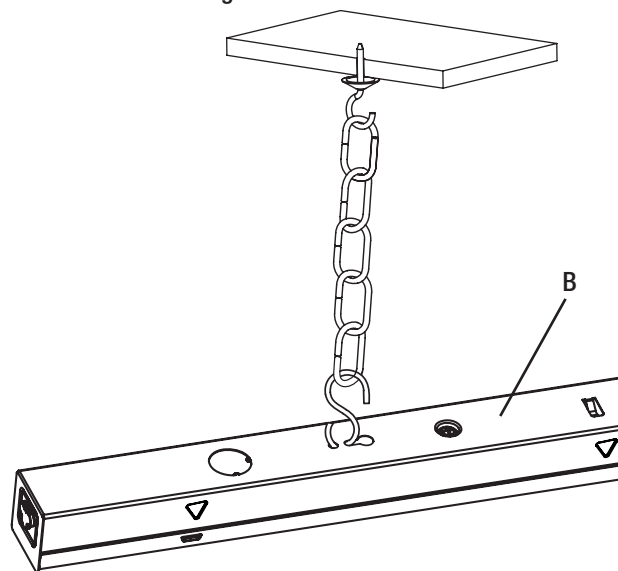
2 Attaching the light to the chain

- Attach the S hook at the bottom of the mounting chain to the hanger on the shop light. Repeat this step on the other side of the fixture. Then close all hooks with pliers to secure them.



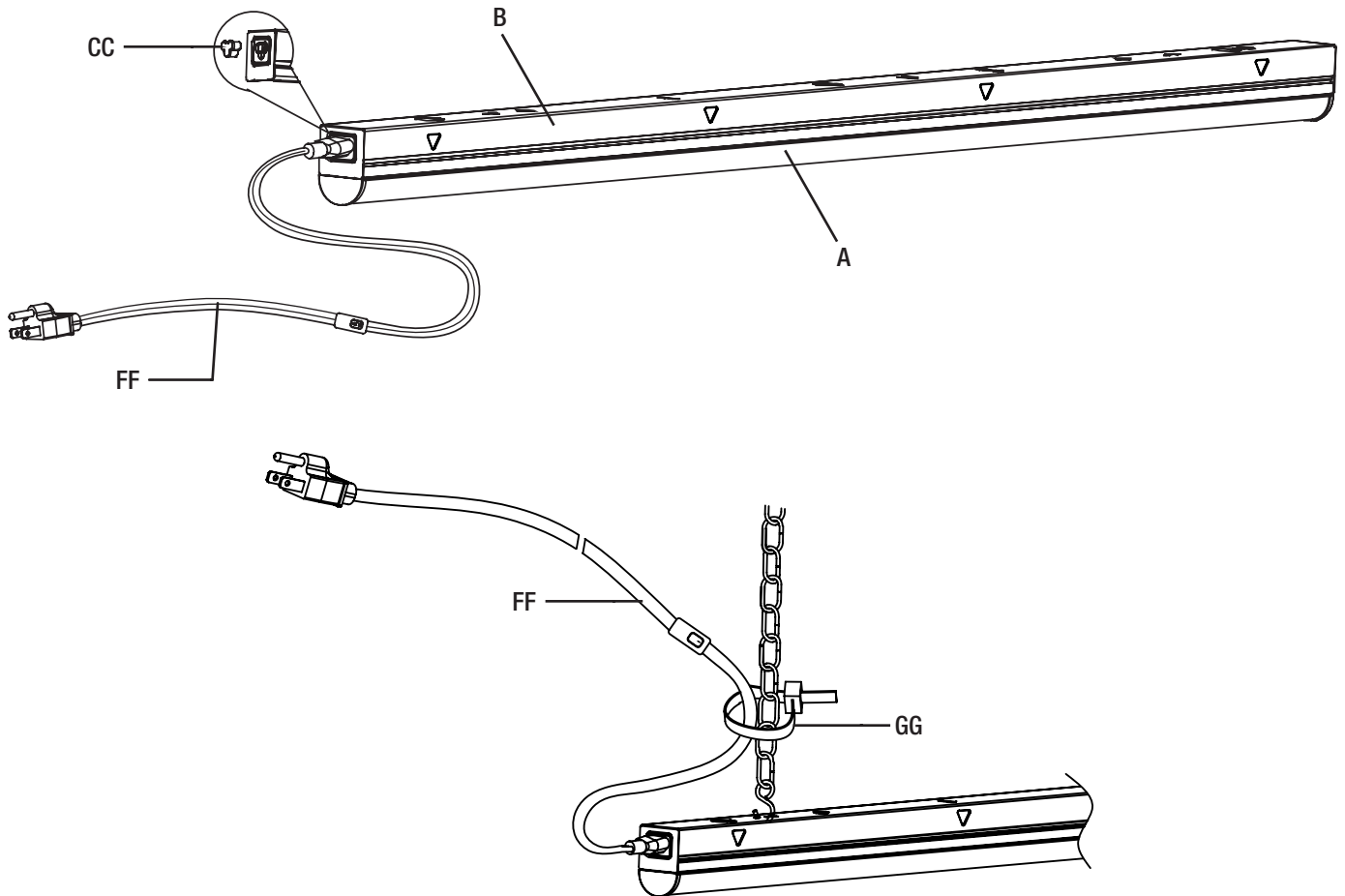
3 Attaching the chain to the ceiling

- Hang the fixture (B) by placing one chain (EE) over each hook screw (KK) that has been installed on the ceiling.
- Adjust chains to level light. The fixture must hang at least 3 in. from the ceiling.



Suspension Mounting (continued)

4 Connecting the optional/included power cord



NOTE: Make sure the distance between the electrical outlet and the end of the light fixture is less than 5 ft. when using the plug-in installation method.

- Remove the end cover (CC) from the strip light.
- Plug the power cord (FF) into the end of the fixture body (B) and then plug the other end of the power cord (FF) into an electrical outlet.
- Secure the power cord (FF) to the ceiling using cord clips or cable raceway (not included).
- Attach the power cord (FF) to the chain with the cable tie (GG) provided.
- Turn the power on to activate the light fixture.



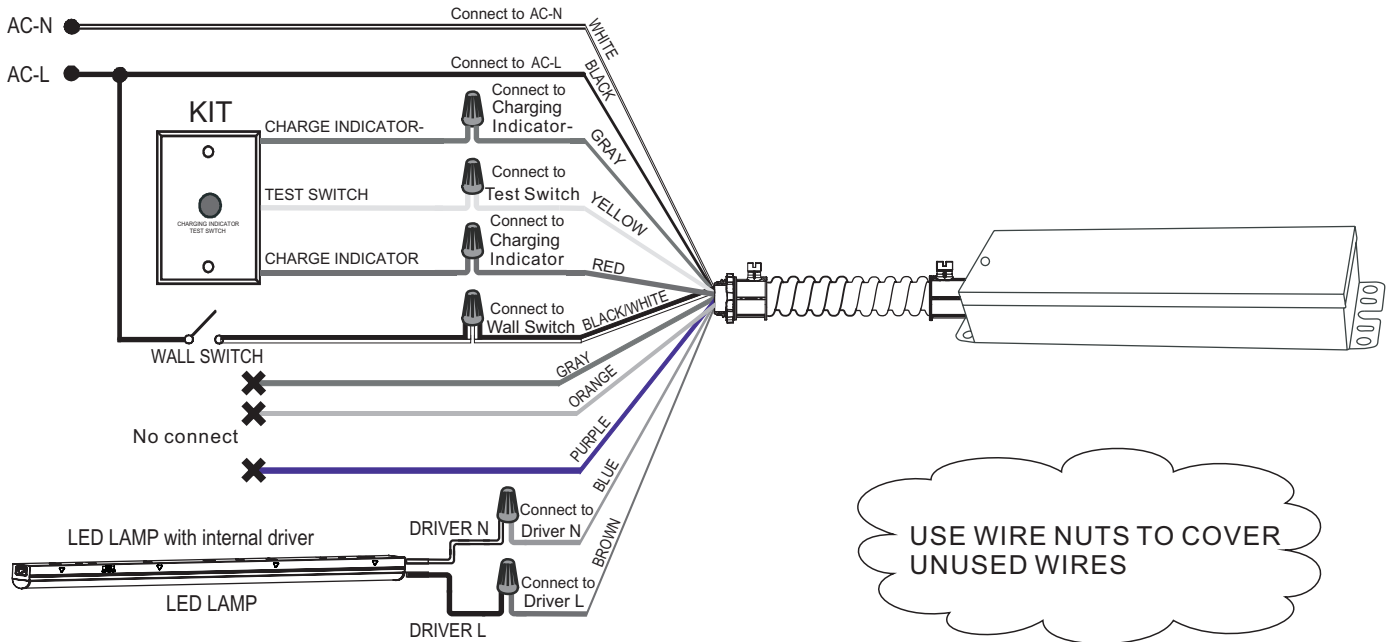
NOTE: When suspension mounting using the plug-in installation method, make sure the light fixture is located directly below the electrical outlet and that the distance between the electrical outlet and the end of the light fixture is less than 5 ft.

NOTE: Installing contractor responsible to meet local electrical codes during installation.

Installation Instruction (continued)

The Strip Light is Compatible for Battery Backup, and please contact ETI SSL to purchase the Battery Backup (ETI Brand's model number is 70112202-2 or 70114402-2).

Wiring Diagram as below:



- The table shows the maximum quantity of linkable strip lights that can be connected to a single BBU based on wattage of BBUs.

Model	24W BBU (Max 150W)	40W BBU (Max 300W)
556081110	17	35
556091110	8	16

Linking Feature



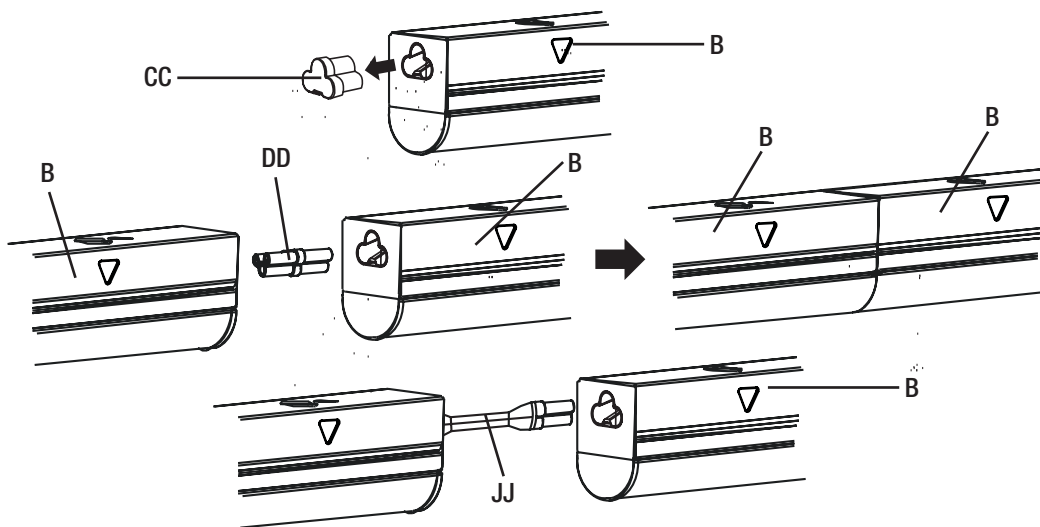
WARNING: RISK OF ELECTRIC SHOCK. Disconnect power to the strip light before linking additional strip lights.

- Multiple light fixtures can be connected, but only the first light fixture needs to be plugged into an electrical outlet or direct wired to an electrical box.



WARNING: Provide power to the fixtures only after all linking connections have been made.

- Remove the end cover (CC) from one end of each fixture body (B) that will be linked.
- Firmly and fully insert either the end-to-end connector (DD) or linking cable (JJ/LL) into the open receptacle in the end of each fixture body (B).



WARNING: RISK OF ELECTRIC SHOCK. If the receptacle on the end of the strip light is not used to link to another fixture, the receptacle needs to be closed by the end cover (CC). Do not touch live parts inside the receptacle.

- Connect up to a maximum of 30 strip lights. Do not exceed 300 total watts for interconnected lights. The table shows the maximum quantity of linkable strip lights that can be connected, based on wattage.

Model	Length	Wattage	Maximum # of Connected Strip Lights
556081110	2 ft.	8.5W	30
556091110	4 ft.	17W	15



CAUTION: For safety, linked strip lights can either be installed as plug-in or direct wire, but never a combination of both.

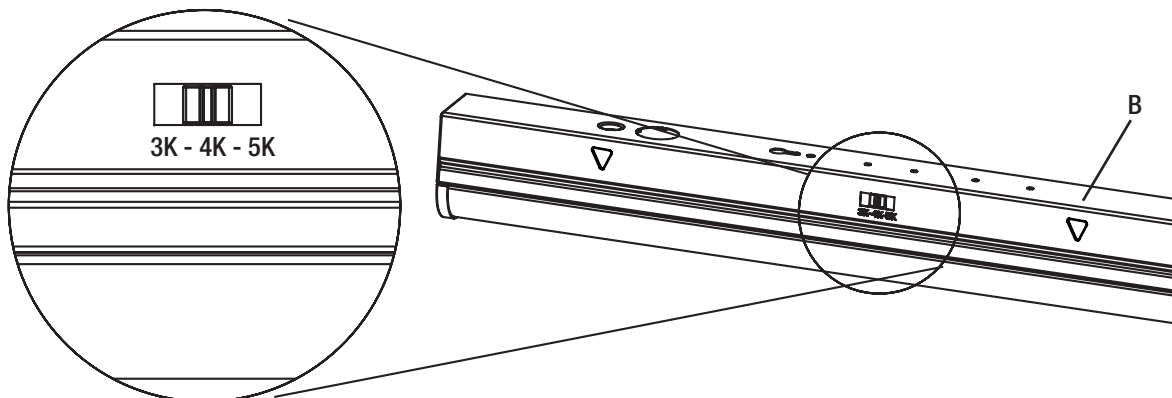
Adjusting the Color Temperature of the Light

This LED light fixture allows you to customize the color temperature of the light using three settings: soft white, bright white, or daylight.

- Move the toggle switch on the fixture body (B) to choose your favorite correlated color temperature (CCT) from three options: 3000k Soft White, 4000k Bright White, or 5000k Daylight.



NOTE: The factory setting for the correlated color temperature (CCT) is 3000K, which is the warmest white light.



Care and Cleaning



CAUTION: Before attempting to clean the fixture, disconnect the power to the fixture by turning the breaker off or removing the fuse from the fuse box.

- Clean the fixture with a soft, dry cloth.
- Do not use cleaners with chemicals, solvents, or harsh abrasives.
- Do not use liquid cleaner on the LEDs, LED driver, or wiring inside the fixture.

Troubleshooting



WARNING: Before doing any work on the fixture, disconnect power to the light fixture.

Minor problems often can be fixed without the help of an electrician.

Problem	Possible Cause	Solution
The fixture will not light.	The power is off.	Ensure the power supply is on.
	The circuit breaker is off.	Ensure the circuit breaker is in the on position.
	There is a bad connection.	Check to ensure proper wire connections are made. Contact a qualified electrician.
	There is a defective switch.	Contact a qualified electrician.
The fuse blows or the circuit breaker trips when the light is turned on.	The wires are crossed or the power wire is grounding out.	Check the wire connections. Contact a qualified electrician or call Commercial Electric customer service 1-855-384-7754 .



Questions, problems, missing parts?

Call ETiSSL Customer Service

8 a.m. - 5 p.m., CST, Monday - Friday

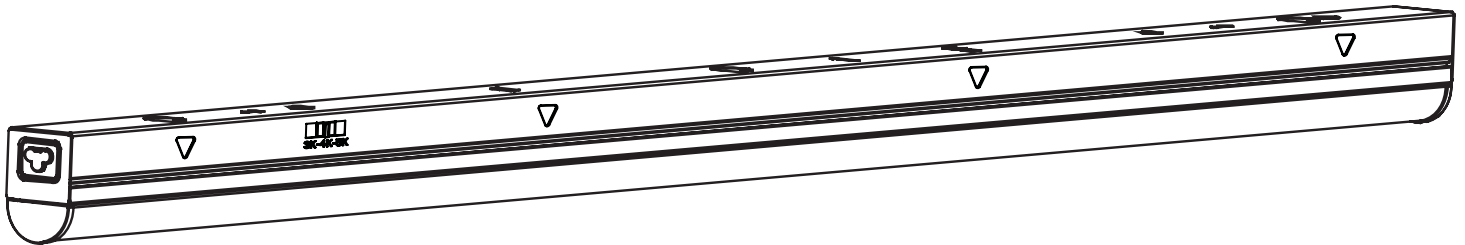
1-855-ETI-SSL (1-855-384-7754)

www.ETiSSL.com

Retain this manual for future use.

GUIDE D'UTILISATION ET D'ENTRETIEN

BANDE LUMINEUSE ECO COLOR PREFERENCE



Questions, difficultés, pièces manquantes?
Téléphonez au service à la clientèle de ETiSSL
8 h - 17 h, HNC, du lundi au vendredi.

1-855-ETi-SSLi (1-855-384-7754)

www.ETiSSL.com



MERCI

*Nous apprécions la confiance que vous avez accordé à la ETi en achetant ce luminaire à DEL.
Consultez notre gamme complète de produits. Nous vous remercions d'avoir choisi ETi!*

Table des matières

Table des matières	16	Pièces additionnelles qui peuvent être achetées	18
Notice de sécurité	16	Installation	19
Garantie	16	Montage en surface	19
Pre-Installation	17	Montage en suspension	23
Planification de l'installation	17	Fonction d'interconnexion	26
Outils/quincaillerie requis	17	Réglage de la température de couleur de la lumière	27
Contenu de l'emballage	17	Entretien et nettoyage	27
Quincaillerie fournie	18	Dépannage	27

Notice de sécurité



AVERTISSEMENT : Lisez et comprenez bien les renseignements fournis dans ce manuel avant de procéder à l'assemblage et à l'installation. Un manque à le faire pourrait mener à un risque de choc électrique, d'incendie ou de blessures qui pourraient être graves, voire même mortelles.



AVERTISSEMENT : Ce luminaire portatif est doté d'une fiche de fixation de type mise à la terre afin de réduire le risque de choc électrique. Cette fiche s'insère dans une prise polarisée dans un seul sens. Si la fiche ne rentre pas complètement dans la prise, inversez la fiche. S'il ne rentre toujours pas, contactez un électricien qualifié. Ne jamais utiliser avec une rallonge à moins que la fiche ne puisse être complètement insérée. Ne modifiez pas la prise.



AVERTISSEMENT : Assurez-vous de couper le courant au circuit sur lequel vous travaillerez. Enlevez le fusible ou coupez le disjoncteur.



MISE EN GARDE : Pour votre sécurité, les barres interconnectées ne peuvent être installées qu'avec des fils enfichables ou câblés directement, mais jamais en une combinaison des deux.

AVIS : Vous pouvez connecter un maximum de 30 barres. Ne dépassez pas une intensité totale de 300 watts pour les barres interconnectées.

AVIS : Si vous utilisez un cordon d'alimentation, la distance maximale à une prise électrique est établie par la longueur du cordon d'alimentation de 5 pi (152 cm).

AVIS : Ce dispositif a été testé et se trouve en deça des limites pour un dispositif numérique de Classe B aux termes de la section 15B des règlements de la FCC. Ces limites servent à offrir une protection raisonnable contre une interférence nocive dans une installation résidentielle.

Ce dispositif génère, utilise et peut irradier une énergie de fréquence radio; s'il n'est pas installé et utilisé conformément aux directives, il peut causer une interférence nocive aux communications radio. Il n'est toutefois pas garanti qu'aucune interférence ne surviendra dans une installation particulière. Si le dispositif cause une interférence nuisible à la réception radio ou télé, ce qui peut être établi en éteignant et rallumant le dispositif, on conseille à l'utilisateur de tenter de remédier à la situation en utilisant une ou plusieurs de ces procédures:

- Réorienter ou déplacer l'antenne réceptrice.
- Augmenter la distance entre le dispositif et le poste récepteur.
- Brancher l'équipement dans une prise de courant sur un circuit autre que celui sur lequel le récepteur est branché.
- Demander conseil auprès du marchand ou d'un technicien en radio/télé.



MISE EN GARDE : Tout changement ou toute modification non expressément approuvée par la partie responsable de la conformité peut rendre nulle l'autorisation de l'utilisateur d'utiliser l'équipement.

AVIS : N'utilisez pas cette barre avec un gradateur.

AVIS : N'utilisez pas de cordon d'alimentation avec interrupteur marche/arrêt pour un montage en surface.

Garantie

CE QUI EST COUVERT

Le fabricant garantit que ce luminaire est exempt de défauts de matériaux et de fabrication pour une période de cinq (5) ans à compter de la date d'achat. Cette garantie s'applique uniquement à l'acheteur consommateur d'origine et uniquement aux produits utilisés dans des conditions normales d'utilisation et de service. Si ce produit s'avère défectueux, la seule obligation du fabricant, et votre recours exclusif, est la réparation ou le remplacement du produit à la discrétion du fabricant, à condition que le produit n'ait pas été endommagé par une mauvaise utilisation, un abus, un accident, des modifications, des altérations, négligence ou mauvaise manipulation.

CE QUI N'EST PAS COUVERT

Ce produit est garanti pour une période de 5 ans à compter de la date d'achat d'origine contre les défauts de matériaux et de fabrication. Si ce produit ne fonctionne pas en raison de défauts de matériaux ou de fabrication dans les 60 mois suivant l'achat, consultez www.ETISSL.com pour plus de détails. Ce produit sera réparé ou remplacé, au choix d'ETi. Cette garantie est expressément limitée à la réparation ou au remplacement du produit et la responsabilité pour les dommages directs, accessoires ou consécutifs est expressément exclue. Certains états n'autorisent pas les exclusions de dommages directs, accessoires ou consécutifs, de sorte que la limitation d'exclusion ci-dessus

peut ne pas s'appliquer à vous. Cette garantie donne au consommateur des droits légaux spécifiques, qui varient d'un État à l'autre. LA GARANTIE EST NULLE SI LE PRODUIT N'EST PAS UTILISÉ AUX FINS POUR LAQUELLE CE PRODUIT EST FABRIQUÉ.

Avant l'installation

PLANIFICATION DE L'INSTALLATION

Avant de commencer à assembler ou à installer l'article, assurez-vous d'avoir toutes les pièces. Comparez le contenu de l'emballage avec la nomenclature. S'il y a des pièces manquantes ou endommagées, ne tentez pas d'assembler, d'installer, ni d'utiliser l'article. Communiquez avec le service à la clientèle pour obtenir des pièces de rechange.

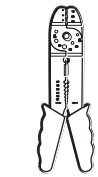


NOTE: Gardez votre facture ainsi que ces instructions comme preuves d'achat.

Si vous n'êtes pas familier avec les installations électriques, nous vous recommandons de faire faire l'installation par un électricien qualifié.

OUTILS/QUINCAILLERIE REQUIS

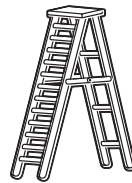
Les outils et la quincaillerie requis varient en fonction du type d'installation.



Pince à dénuder



Lunettes de sécurité



Échelle



Gants



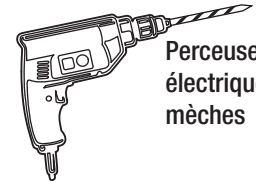
Galon à mesurer



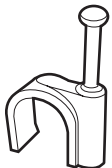
Tournevis à pointe cruciforme



Ruban électrique



Perceuse électrique et mèches

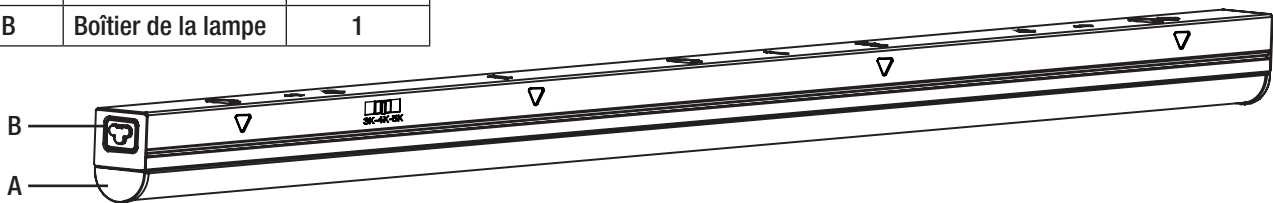


Agrafes de câble

* Pour montage suspendu uniquement

CONTENU DE L'EMBALLAGE

Pièce	Description	Quantité
A	Diffuseur	1
B	Boîtier de la lampe	1



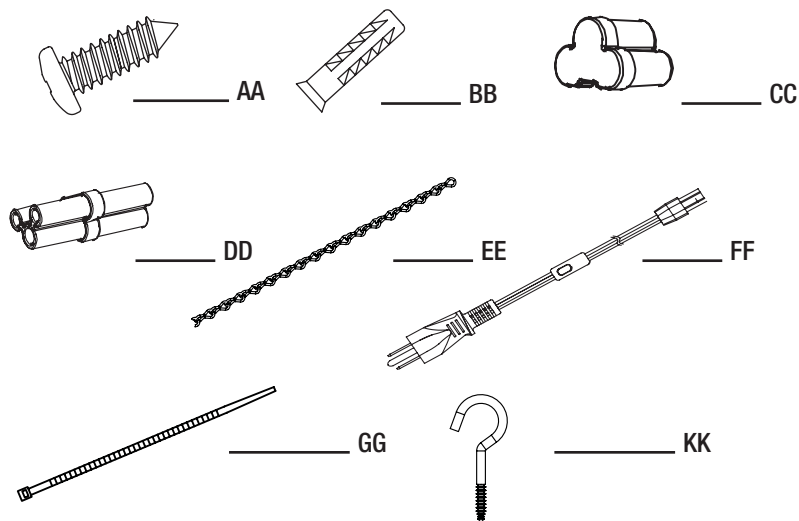
Avant l'installation (suite)

QUINCAILLERIE INCLUSE



NOTE: La quincaillerie n'est pas illustrée à sa grandeur réelle.

Pièce	Description	Quantité
AA	Vis de montage	2
BB	Ancrage pour placoplâtre	2
CC	Couvercle en bout	2
DD	Connecteur bout-en-bout	1
EE	Chaînes	2
FF	Cordon d'alimentation avec interrupteur (5 pi - 152 cm)	1
GG	Serre-fils	1
KK	Crochet Vis	2



PIÈCES ADDITIONNELLES QUI PEUVENT ÊTRE ACHETÉES



NOTE: Les nécessaires de quincaillerie pour le montage en surface et en suspension sont vendus séparément. Contactez avec le service à la clientèle de ETISL pour en savoir plus : 1 855 384-7754.

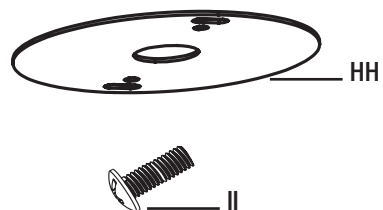


NOTE: La quincaillerie (non fournie) n'est pas illustrée à sa grandeur réelle.

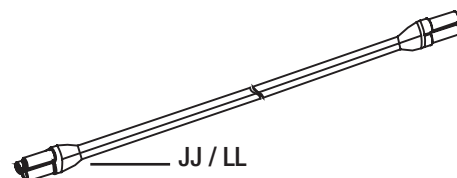
Pièce	Description	Quantité
HH	Couvercle de boîte électrique	1
II	Vis de montage	2

Modèle # 54657102 (plaque et vis)

* Requis pour le montage en surface



Pièce	Modèle #	Description	Quantité
JJ	000688131	Câble d'interconnexion (1 pi - 30 cm)	1
LL	54242102	Câble d'interconnexion (5 pi - 152 cm)	1



Installation

Choisissez un endroit adéquat pouvant supporter le poids de la lampe. Déterminez la méthode de montage en fonction du type de plafond avant de percer des trous.



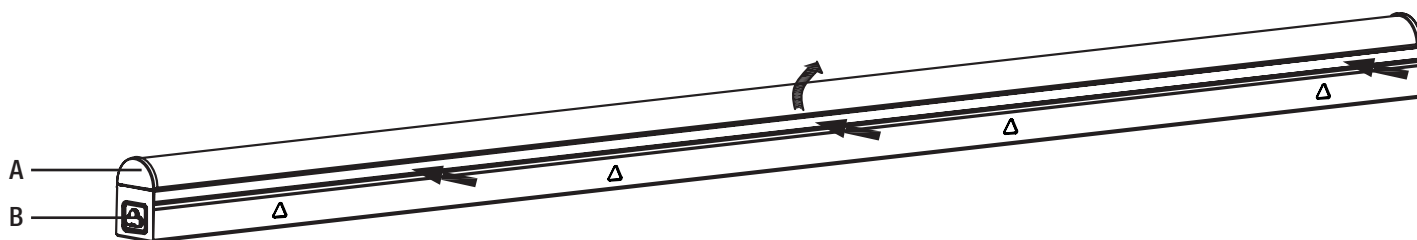
AVERTISSEMENT : RISQUE DE CHOC ÉLECTRIQUE. Assurez-vous d'avoir coupé le courant aux fils que vous toucherez. Enlevez le fusible ou déclenchez le disjoncteur du circuit avant d'enlever le luminaire existant ou d'en installer un nouveau.

Montage en surface

Une fois le courant coupé à la boîte électrique, enlevez le luminaire existant. Faites une esquisse du câblage du luminaire existant (par couleur de fil) ou identifiez les fils avec un papier-cache et un crayon; vous saurez ainsi comment reconnecter les fils correctement au nouveau luminaire à DEL.

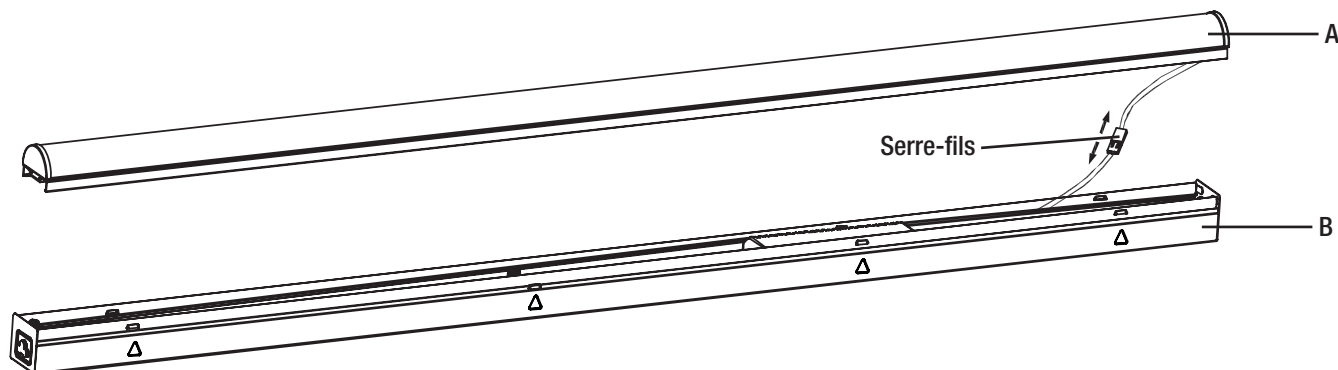
1 Séparer le diffuseur du boîtier de la lampe

- Pressez le boîtier de la lampe (B) vers l'intérieur, dans le sens des flèches, et, de l'autre main, retirez le diffuseur (A).



2 Préparer la lampe pour l'installation

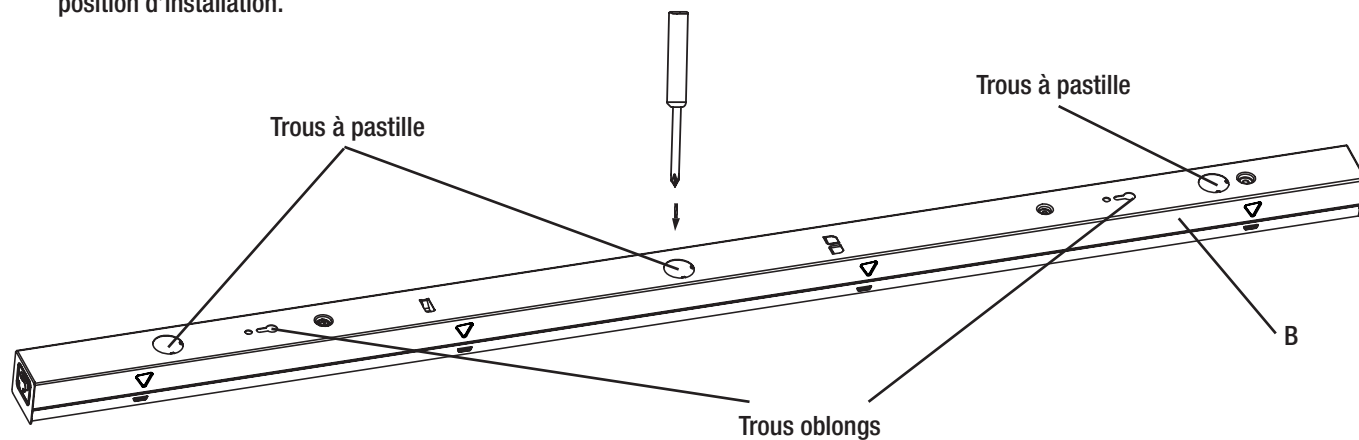
- Une fois le diffuseur (A) séparé du boîtier de la lampe (B), débranchez les connecteurs pour déconnecter les fils de la borne.



Montage en surface (suite)

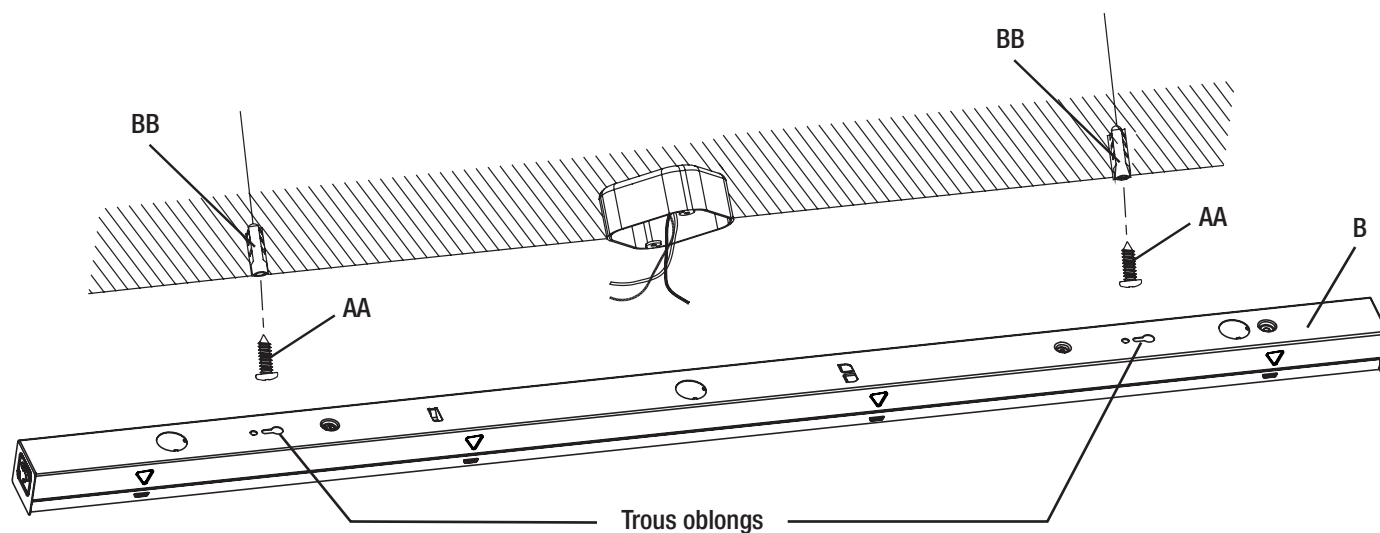
3 Enlever une des pastilles de la lampe

- Tenez le boîtier de la lampe (B) contre le plafond pour établir le trou à pastille à utiliser pour le câblage.
- Marquez la position des deux trous oblongs sur la surface de montage.
- Utilisant un tournevis, faites sauter une des cinq grandes pastilles du boîtier de la lampe (B) pour le câblage en fonction de la position d'installation.



4 Préparer la lampe à l'installation

- Percez un trou de 3 mm (1/8 po) à chaque position de vis marquée sur le plafond. Vous pouvez aussi utiliser un poinçon ou un clou pour pointer les trous de vis.
- Posez un ancrage à placoplâtre (BB) et une vis de montage (AA) dans chaque trou de montage, sans serrer la vis à fond.



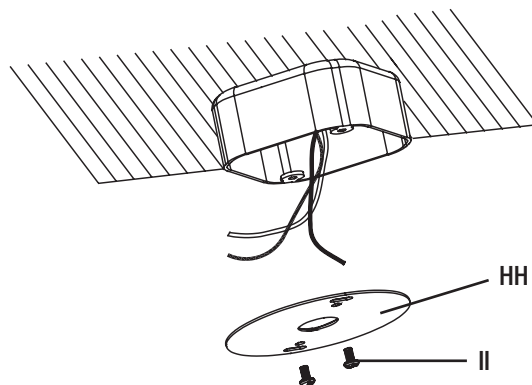
Montage en surface (suite)

5 Poser le couvercle de la boîte électrique

- Acheminez les fils de la boîte électrique à travers l'orifice central du couvercle de la boîte électrique (HH - non fourni).
- Fixez le couvercle de la boîte électrique (HH - non fourni) à la boîte électrique à l'aide des vis de montage (II - non fournies).

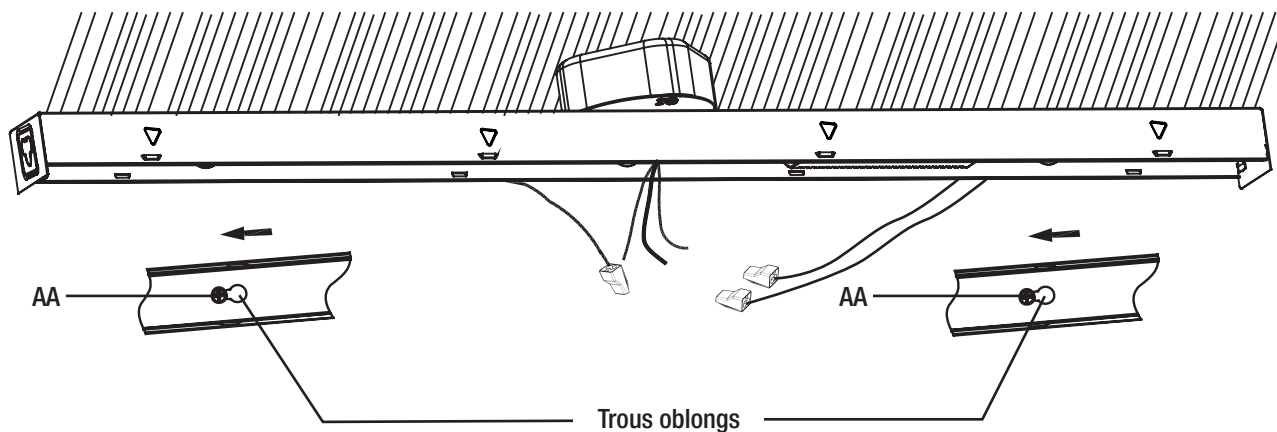


NOTE: Le kit de matériel pour le montage en surface est vendu comme accessoire séparé. Visitez www.ETiSSL.com pour plus d'informations et pour acheter.



6 Fixer la lampe

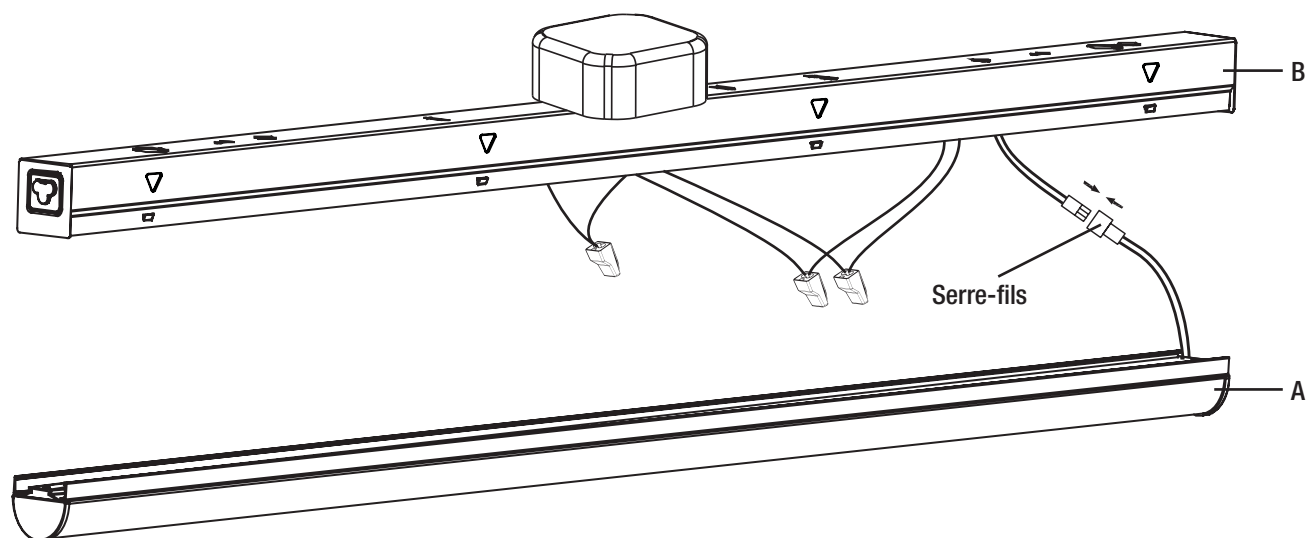
- Acheminez les fils de la boîte électrique à travers l'orifice de pastille dans le boîtier de la lampe (B).
- Alignez le bout large des orifices oblongs du boîtier de la lampe (B) avec les deux vis de montage (AA) dans le plafond.
- Une fois la tête des deux vis passée dans le bout large des orifices oblongs, glissez le boîtier de la lampe (B) vers la gauche jusqu'à ce que la tête des vis de montage (AA) se trouve dans les bouts étroits des orifices oblongs.
- Finissez le montage en serrant les vis de montage (AA) de façon à ce que le boîtier (B) repose fermement contre la surface de montage.



Montage en surface (suite)

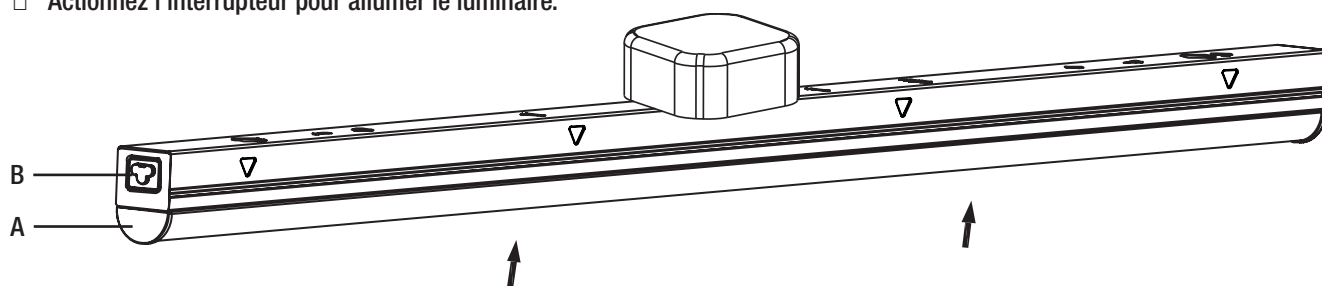
7 Effectuer les connexions

- Insérez les fils chargé et neutre (noir et blanc) de la boîte électrique dans les connecteurs des fils de la même couleur du boîtier de la lampe (B).
- Insérez le fil de terre de la boîte électrique dans la connecteur du fil vert du boîtier de la lampe (B).
- Reconnectez le terminal avec les connecteurs de fils connectés.



8 Fixer le diffuseur au boîtier de la lampe

- Réenclenchez le diffuseur (A) sur le corps de la lampe (B).
- Remettez le circuit sous tension.
- Actionnez l'interrupteur pour allumer le luminaire.



Montage en suspension

Sélectionnez un emplacement approprié pouvant supporter le poids de l'appareil. Déterminez la méthode de montage du luminaire avant de percer, en fonction du type de plafond.

1 Marquez deux points au plafond

- Marquez deux points sur le plafond à 16,92 pouces (430 mm) / 33,66 pouces (855 mm) de distance pour le montage de la suspension avant l'installation..

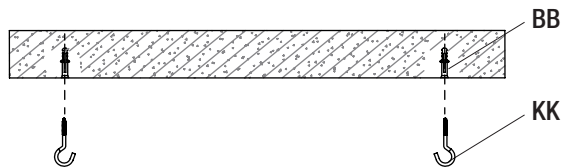


MONTAGE SUR PLAFOND EN CLOISONS SÈCHES :

- Percez un 1/8-in. trou pilote dans chacun des emplacements de vis marqués sur le plafond. Vous pouvez également utiliser un poinçon ou un clou pour creuser les trous de vis..
- Installez un ancrage pour cloison sèche (BB) et une vis à crochet (KK) dans chaque trou de montage percé.

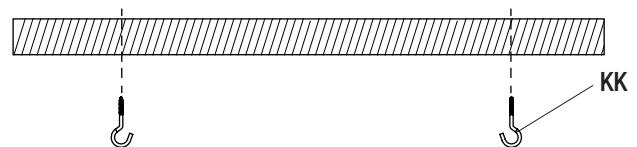


NOTE: Les ancrages pour cloisons sèches (BB) ne doivent être utilisés que pour le montage du luminaire sur des surfaces en plâtre ou en cloison sèche.



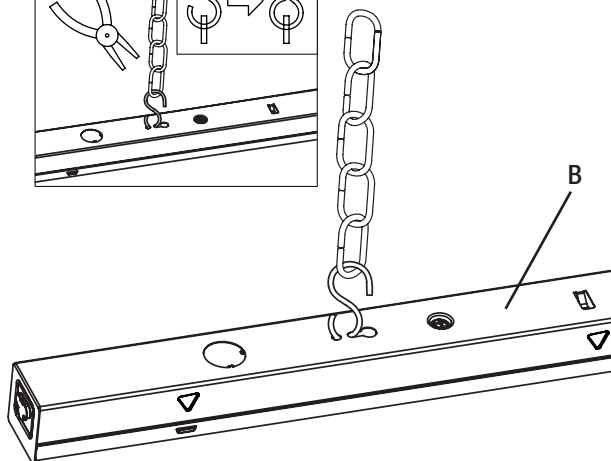
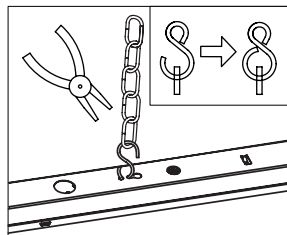
MONTAGE SUR PLAFOND EN BOIS :

- Percez un trou pilote de 1/16 po de diamètre dans le plafond.
- Serrez la vis à crochet (KK) dans le bois.



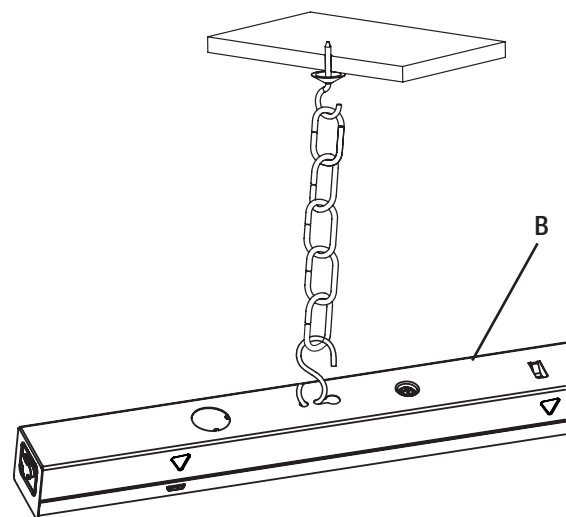
2 Fixer la lampe à la chaîne

- Posez le crochet en S au bout de la chaîne de montage (non fournie) dans le boîtier de la lampe (B). Faites de même pour l'autre côté de la lampe. Fermez ensuite tous les crochets avec des pinces pour les fixer.



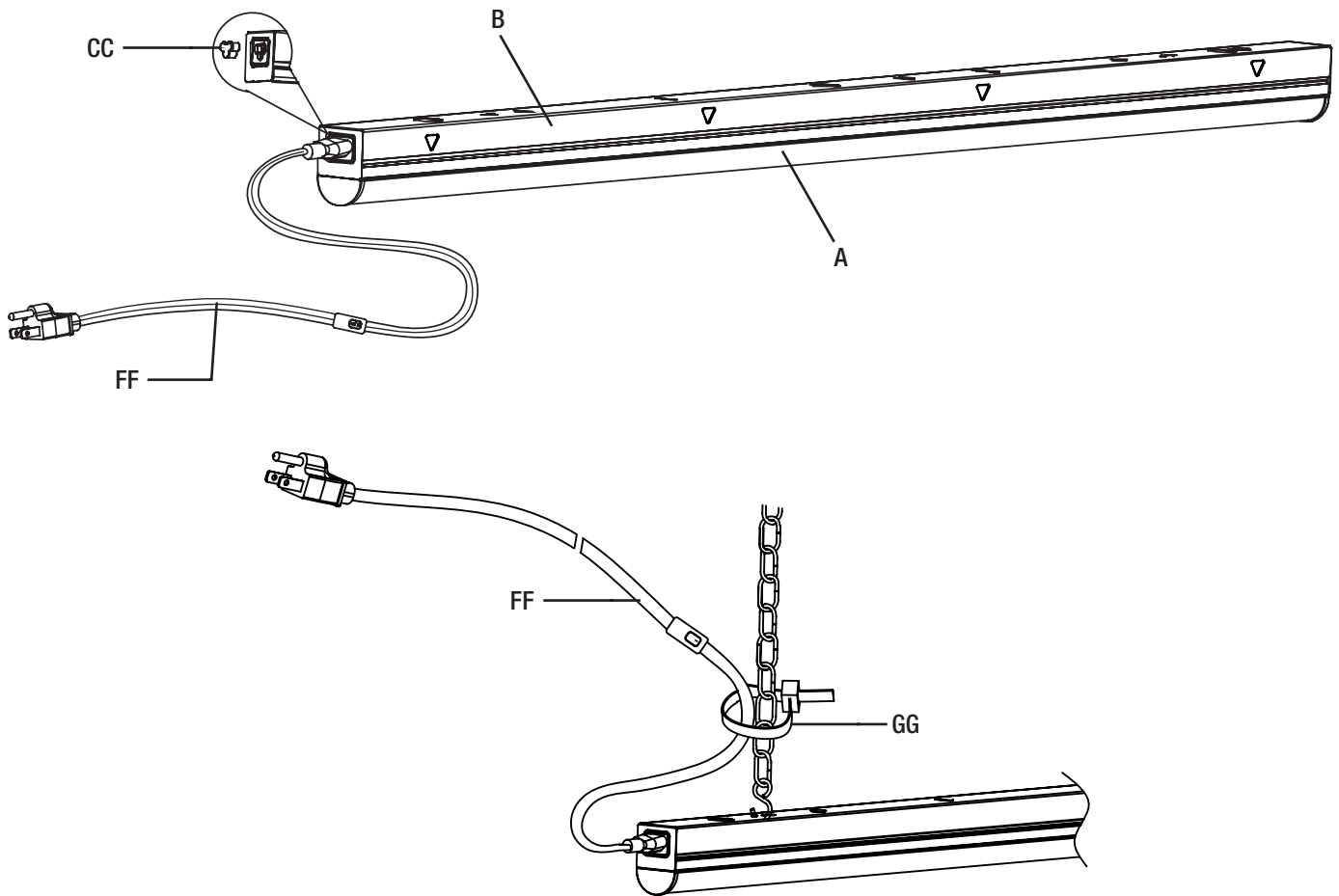
3 Fixer la chaîne au plafond

- Accrochez la lampe de magasin (B) en plaçant une chaîne (EE) sur chaque vis à crochet (KK) qui a été installée au plafond.
- Ajustez les chaînes pour niveler la lumière. Le luminaire doit être suspendu à au moins 3 po du plafond.



Montage en suspension (suite)

4 Connexion du cordon d'alimentation en option/fourni



NOTE: Assurez-vous que la distance entre la boîte électrique et l'extrémité de la lampe soit inférieure à 5 pi (152 cm) si vous utilisez un câble enfichable.

- Enlevez le bouchon du couvercle en bout (CC) de la barre d'éclairage.
- Branchez le cordon d'alimentation (FF) à l'extrémité du boîtier de la lampe (B) puis branchez l'autre extrémité du cordon d'alimentation (FF) dans une prise de courant.
- Fixez le cordon d'alimentation au plafond à l'aide d'agrafes ou d'un passe-fil (non inclus).
- Attachez le cordon d'alimentation au plafond à l'aide de pinces à fil (FF) ou d'une canalisation pour câble (GG) incluses.
- Actionnez l'interrupteur pour allumer le luminaire.



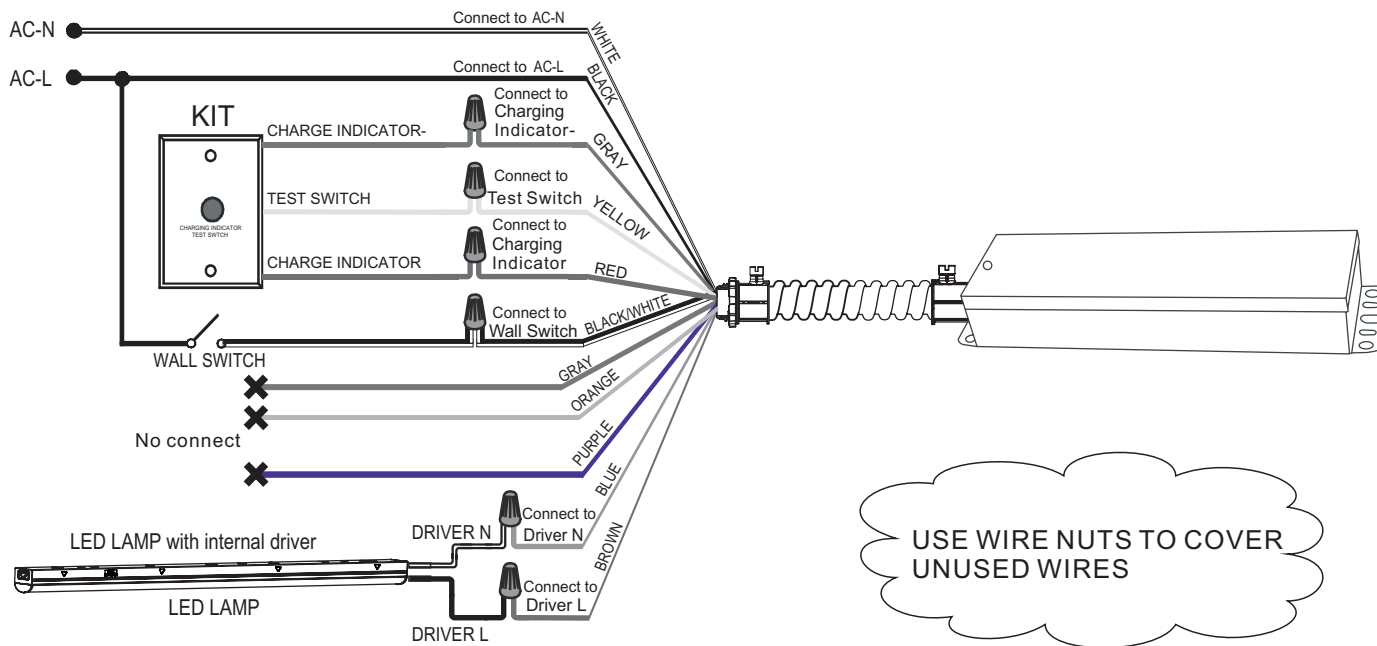
NOTE: Pour le montage en suspension avec câble enfichable, assurez-vous que la lampe se trouve directement sous la prise de courant et que la distance entre la prise de courant et l'extrémité de la lampe est inférieure à 5 pi (152 cm).

NOTE: L'entrepreneur chargé de l'installation doit respecter les codes électriques locaux lors de l'installation.

Installation (suite)

La bande lumineuse est compatible avec la batterie de secours, et veuillez contacter ETI SSL pour acheter la batterie de secours (le numéro de modèle de la marque ETI est 70112202-2 ou 70114402-2).

Schéma de câblage comme ci-dessous :



- Le tableau indique la quantité maximale de bandes lumineuses pouvant être connectées à un seul BBU en fonction de la puissance des BBU.

Modèle	24W BBU (Max 150W)	40W BBU (Max 300W)
556081110	17	35
556091110	8	16

Fonction d'interconnexion



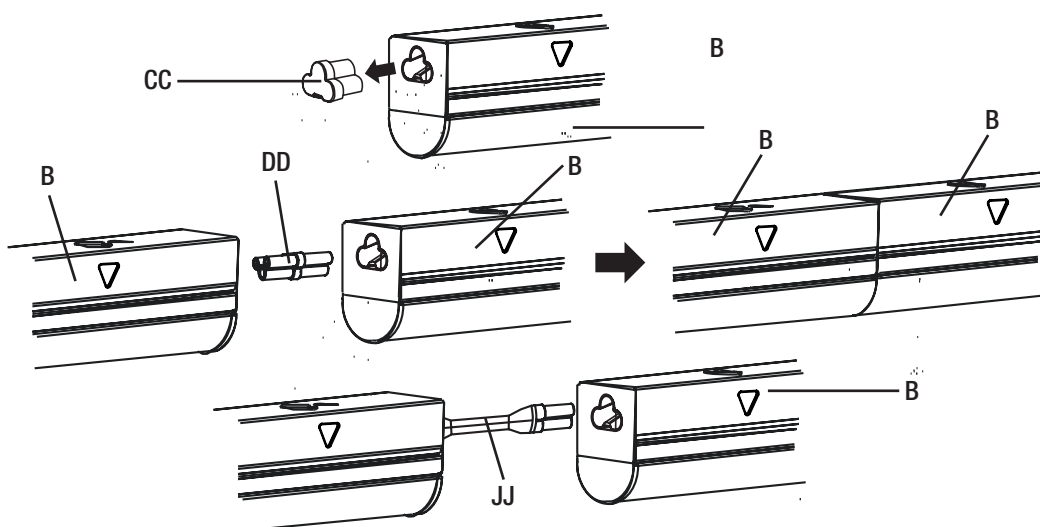
AVERTISSEMENT : RISQUE DE CHOC ÉLECTRIQUE. Coupez le courant à la barre d'éclairage avant de connecter des barres additionnelles.

- Vous pouvez interconnecter plusieurs barres, jusqu'à un maximum de 30 barres ou 300 watts au total. Seule la première barre doit être branchée à une prise de courant ou à une boîte électrique.



AVERTISSEMENT : Ne mettez les barres sous tension qu'une fois toutes les interconnexions effectuées.

- Retirez le couvercle d'extrémité (CC) d'une extrémité de chaque corps de luminaire (B) qui sera relié.
- Insérez fermement et complètement le connecteur de bout en bout (DD) ou le câble de liaison (JJ/LL) dans le réceptacle ouvert à l'extrémité de chaque corps de luminaire (B).



AVERTISSEMENT : RISQUE DE CHOC ÉLECTRIQUE. Si la prise à l'extrémité d'une barre n'est pas utilisée pour interconnecter une autre barre, vous devez la couvrir d'un capuchon (CC). Ne touchez pas les parties sous tension dans la prise de courant.

- Connectez un maximum de 30 barres d'éclairage. Ne dépassez pas une intensité totale de 300 watts entre les barres interconnectées. Le tableau suivant indique le nombre maximal de barres possibles en fonction de l'intensité résultante.

Modèle No.	Longueur	Intensité	Nombre maximale de barres interconnectées
556081110	2 ft.	8.5W	30
556091110	4 ft.	17W	15



MISE EN GARDE : Pour votre sécurité, les barres interconnectées ne peuvent être installées qu'avec des fils enfichables ou câblés directement, mais jamais en une combinaison des deux.

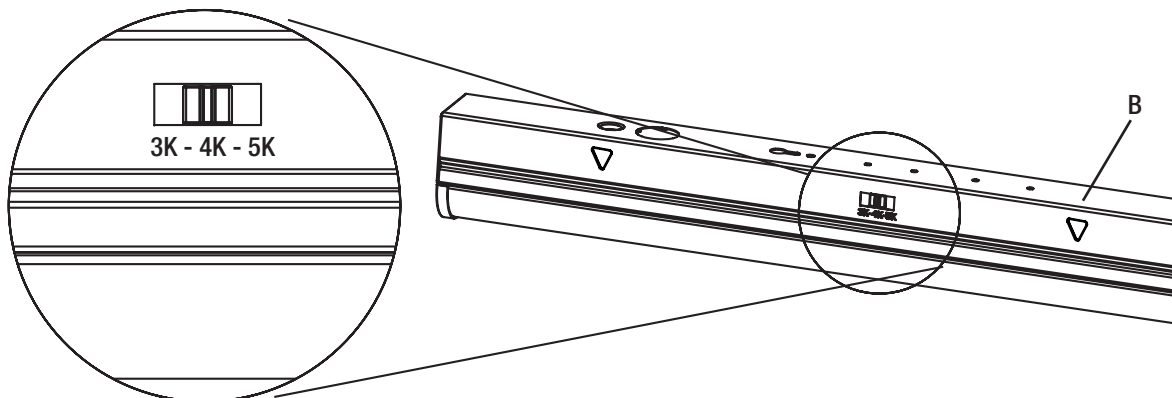
Réglage de la température de couleur de la lumière

Ce luminaire LED vous permet de personnaliser la température de couleur de la lumière à l'aide de trois réglages : blanc doux, blanc brillant ou lumière du jour.

- Déplacez l'interrupteur à bascule sur le corps du luminaire (B) pour choisir votre température de couleur corrélée (CCT) préférée parmi trois options : 3000k Blanc doux, 4000k Blanc brillant ou 5000k Lumière du jour.



NOTE: Le réglage d'usine pour la température de couleur corrélée (CCT) est de 3000K, qui est la lumière blanche la plus chaude.



Entretien et nettoyage



MISE EN GARDE : Avant le nettoyage, coupez l'alimentation au luminaire en plaçant le disjoncteur en position hors tension ou en enlevant le fusible de la boîte à fusibles.

- Nettoyer le luminaire à l'aide d'un linge doux et sec.
- N'utilisez pas de nettoyants contenant des produits chimiques, des solvants ou des produits abrasifs forts.
- N'utilisez pas de nettoyant liquide sur la DEL, le transformateur ou les fils à l'intérieur du luminaire.

Dépannage



AVERTISSEMENT : Déconnectez le luminaire avant d'effectuer tout entretien.

Les problèmes mineurs peuvent souvent être réglés sans l'aide d'un électricien.

Problème	Cause Possible	Mesure Corrective
Le luminaire ne s'allume pas.	Le luminaire est hors tension.	Vérifiez l'alimentation électrique.
	Le disjoncteur est en position d'arrêt.	Assurez-vous que le disjoncteur est à la position « ON ».
	Les fils sont mal branchés.	Assurez-vous que les fils sont bien branchés. Faites appel à un électricien qualifié.
	Un interrupteur est défectueux.	Faites appel à un électricien qualifié.
Le fusible saute ou le disjoncteur se déclenche lorsque le luminaire est mis sous tension.	Les fils sont croisés ou un fil d'alimentation est mis à la terre.	Assurez-vous que les fils sont bien branchés. Faites appel à un électricien qualifié ou téléphonez au service à la clientèle de ETi 1-855-384-7754.



**Questions, difficultés, pièces manquantes?
Téléphonez au service à la clientèle de ETi SSL
8 h - 17 h, HNC, du lundi au vendredi.**

1-855-ETI-SSL (1-855-384-7754)

www.ETiSSL.com

Conservez ce manuel pour référence ultérieure.

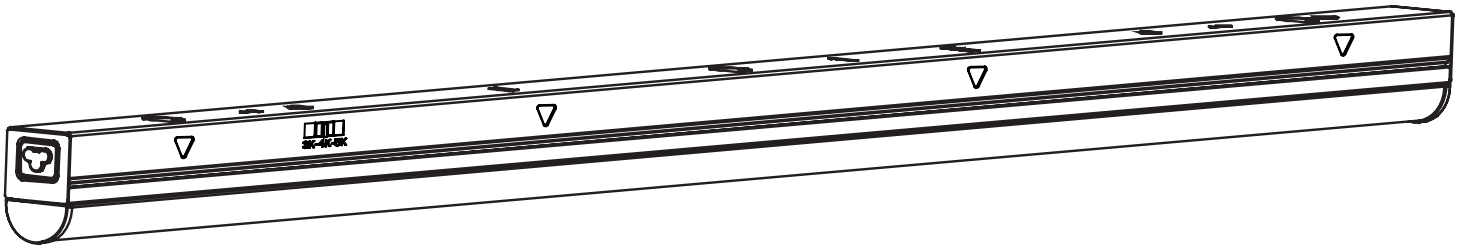


**SOLID STATE[®]
LIGHTING
INC.**

**Modelo # 556081110/556091110
Parte # ECOST-2FT-1000LM-8-3CP-SV-
TD/ ECOST-4FT-2000LM-8-3CP-SV-TD**

GUÍA DE USO Y CUIDADO

TIRA DE LUZ ECO COLOR PREFERENCE



¿Preguntas, problemas, piezas faltantes?
Llame al Centro de Atención al Cliente de ETi en el horario de
8 a.m. - 5 p.m., HSC, de lunes a viernes.

1-855-ETi-SSLI (1-855-384-7754)

www.ETiSSL.com



GRACIAS

*Apreciamos la confianza que ha puesto en ETi a través de la compra de esta luz LED.
Visítenos en línea para ver nuestra gama completa de productos disponibles. ¡Muchas gracias por elegir a ETi!*

Contenido

Contenido	30	Piezas adicionales disponibles para comprar	32
Información sobre seguridad	30	Instalación	33
Garantía	30	Montaje en superficie	33
Previo a la instalación	31	Instalación suspendida	37
Planificación de la instalación	31	Función de enlace	40
Herramientas/materiales necesarias	31	Ajuste de la temperatura de color de la luz	41
Contenido del paquete	31	Cuidado y limpieza	41
Materiales incluidos	32	Solución de problemas	41

Información sobre seguridad



ADVERTENCIA: Lea cuidadosamente y comprenda la información incluida en este manual antes de comenzar el armado e instalación. No hacerlo puede provocar descarga eléctrica, incendio, u otras lesiones que pueden ser graves o mortales.



ADVERTENCIA: Esta luminaria portátil tiene un enchufe de conexión a tierra como característica para reducir el riesgo de descarga eléctrica. Este enchufe encajará en un tomacorriente polarizado de una sola manera. Si el enchufe no encaja completamente en el tomacorriente, invierta el enchufe. Si aún así no encaja, comuníquese con un electricista calificado. Nunca lo use con un cable de extensión a menos que el enchufe se pueda insertar completamente. No modifique el enchufe.



ADVERTENCIA: Asegúrese de cortar el suministro eléctrico en los cables con los que trabajará. Extraiga los fusibles o apague el cortacircuitos.



PRECAUCIÓN: Por seguridad, las barras de luz enlaces pueden ser instalado como cable enchufable o directo, pero nunca combinado.

AVISO: Puede conectar hasta un máximo de 30 barras. No exceda de 300 vatios en total para lámparas interconectadas.

AVISO: Cuando se utiliza el cable de alimentación, la distancia máxima al receptáculo eléctrico se determina por la longitud del cable de alimentación de 5 pies.

AVISO: No utilice un cable de alimentación con interruptor de encendido/apagado para el montaje en superficie.

NOTICE: This equipment has been tested and found to comply with the limits for a Class B digital device, pursuant to Part 15 of the FCC Rules.

These limits are designed to provide reasonable protection against harmful interference in a residential installation.

This equipment generates, uses and can radiate radio frequency energy and, if not installed and used in accordance with the instructions, may cause harmful interference to radio communications. However, there is no guarantee that interference will not occur in a particular installation. If this equipment does cause harmful interference to radio or television reception, which can be determined by turning the equipment off and on, the user is encouraged to try to correct the interference by one or more of the following measures:

- Reorient or relocate the receiving antenna.
- Increase the separation between the equipment and the receiver.
- Connect the equipment into an outlet on a circuit different from that to which the receiver is connected.
- Consult the dealer or an experienced radio/TV technician for help.



CAUTION: Changes or modifications not expressly approved by the party responsible for compliance could void the user's authority to operate the equipment.

AVISO: No use esta lámpara con un interruptor atenuador.

Garantía

QUÉ ESTÁ CUBIERTO

El fabricante garantiza que este artefacto de iluminación está libre de defectos en materiales y mano de obra por un período de cinco (5) años a partir de la fecha de compra. Esta garantía se aplica solo al comprador consumidor original y solo a los productos utilizados en uso y servicio normales. Si se determina que este producto es defectuoso, la única obligación del fabricante, y su único recurso, es la reparación o reemplazo del producto a discreción del fabricante, siempre que el producto no haya sido dañado por mal uso, abuso, accidente, modificaciones, alteraciones, negligencia o maltrato.

LO QUE NO ESTÁ CUBIERTO

Este producto está garantizado por un período de 5 años a partir de la fecha de compra original contra defectos de materiales y mano de obra. Si este producto no funciona debido a defectos en el material o la mano de obra dentro de los 60 meses posteriores a la compra, consulte www.ETiSSL.com para obtener más detalles. Este producto será reparado o reemplazado, a opción de ETi. Esta garantía se limita expresamente a la reparación o sustitución del producto y se excluye expresamente la responsabilidad por daños directos, incidentales o consecuentes. Algunos estados no permiten exclusiones de derechos directos, incidentales o consecuentes. Algunos estados no permiten exclusiones de daños directos, incidentales o consecuentes, por lo que es posible que la limitación de exclusión anterior no se aplique en

su caso. Esta garantía otorga al consumidor derechos legales específicos, que varían de un estado a otro. LA GARANTÍA SE ANULARÁ SI EL PRODUCTO NO SE UTILIZA PARA EL PROPÓSITO PARA EL QUE ESTE PRODUCTO ES FABRICADO.

Previo a la instalación

PLANIFICACIÓN DE LA INSTALACIÓN

Antes de comenzar el armado, la instalación o antes de operar el producto, asegúrese de que tiene todas las piezas. Compare las piezas con la lista del contenido incluyda. Si falta alguna pieza o si está dañada, no comience a armar, instalar, ni operar el producto. Comuníquese con el servicio al cliente para el reemplazo de las piezas.

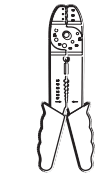


NOTA: Guardar el recibo de compra y estas instrucciones como prueba de compra.

Si no está familiarizado con las instalaciones eléctricas, le recomendamos que haga que un electricista calificado se ocupe de la instalación.

HERRAMIENTAS/MATERIALES NECESARIAS

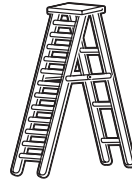
Las herramientas et los materiales necesarios varían según el tipo de instalación.



Alicates pelacables



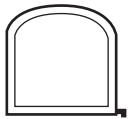
Gafas deseguridad



Escalera



Guantes



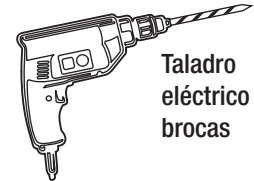
Cinta métrica



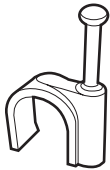
Destornillador de estrella



Cinta eléctrica



Taladro eléctrico con brocas

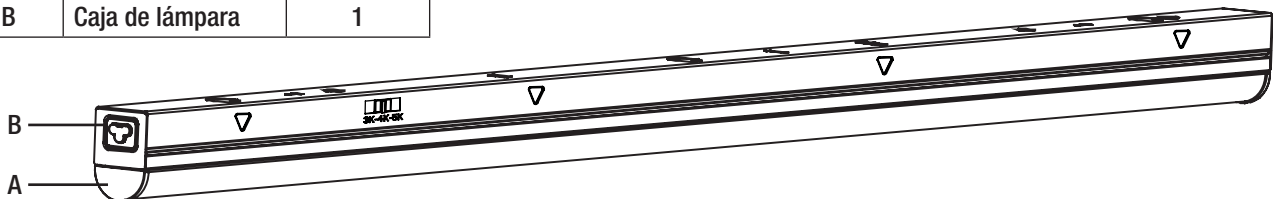


Abrazaderas de cable

* Solo para montaje en suspensión

CONTENIDO DEL PAQUETE

Pieza	Descripción	Cantidad
A	Difusor	1
B	Caja de lámpara	1



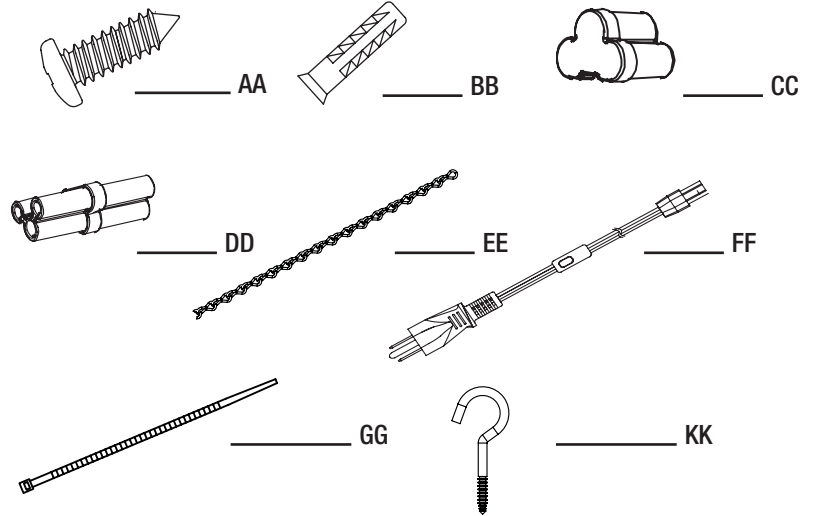
Previo a la instalación (continuación)

MATERIALES INCLUIDOS



NOTA: Los materiales no se ilustran en tamaño real.

Pieza	Descripción	Cantidad
AA	Tornillo de montaje	2
BB	Anclaje para panel de yeso	2
CC	Capuchón de extremos	2
DD	Conector extremo a extremo	1
EE	Cadenas	2
FF	Cable de alimentación con interruptor (5 pies)	1
GG	Corbata de cable	1
KK	Tornillo de gancho	2



PIEZAS ADICIONALES DISPONIBLES PARA COMPRAR

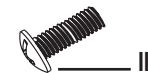


NOTA: El kit de hardware para montaje en superficie se vende como accesorio independiente. Visite www.ETiSSL.com para obtener más información y realizar una compra.



NOTA: Piezas no mostrados al tamaño real.

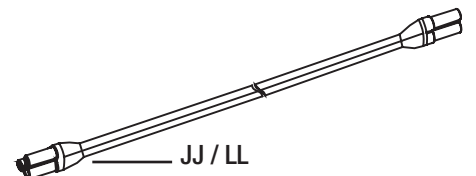
Pieza	Descripción	Cantidad
HH	Cubierta de caja eléctrica	1
II	Tornillos de cubierta	2



Modelo # 54657102 (placa y tornillos)

* Required for Surface Mounting

Pieza	Modelo #	Descripción	Cantidad
JJ	000688131	Cable de enlace (1 pies)	1
LL	54242102	Cable de enlace (5 pies)	1



Instalación

Seleccione una ubicación adecuada que pueda soportar el peso del aparato. Determinar el método de montaje de la lámpara antes de la perforación, en función del tipo de techo.



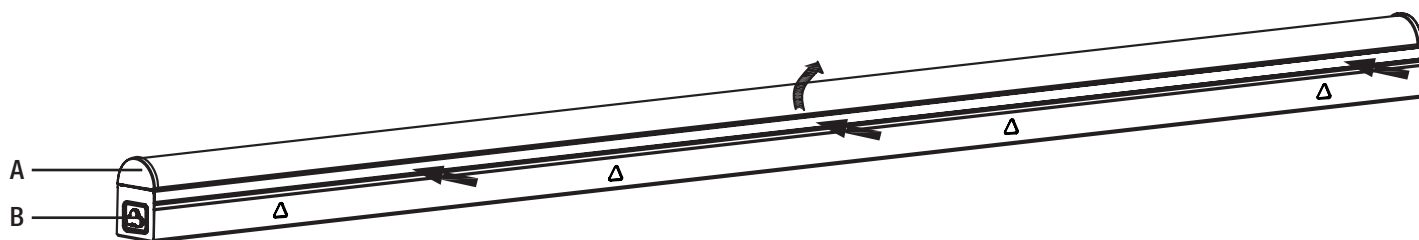
ADVERTENCIA: RIESGO DE DESCARGA ELÉCTRICA. Asegúrese de cortar el suministro eléctrico en los cables con los que trabajará. Extraiga los fusibles o apague el cortacircuitos antes de quitar el aparato de iluminación existente o instalar uno nuevo.

Montaje en superficie

Con la alimentación desconectada de la caja eléctrica, retire la lámpara existente. Haga un bosquejo de cómo se fija la lámpara actual (por el color del alambre) o marque los alambres con cinta y un lápiz así que usted sabrá reconectar correctamente los alambres a la nueva lámpara LED.

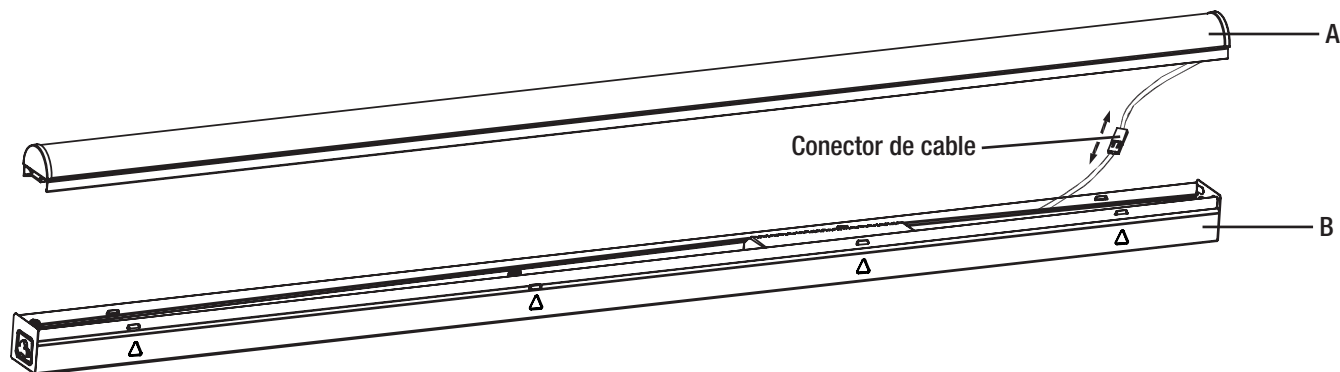
1 Separar el difusor de la caja de la lámpara

- Presione la caja de la lámpara (B) hacia dentro, en la dirección de las flechas, y retire el difusor (A) con la otra mano.



2 Preparar la lámpara para la instalación

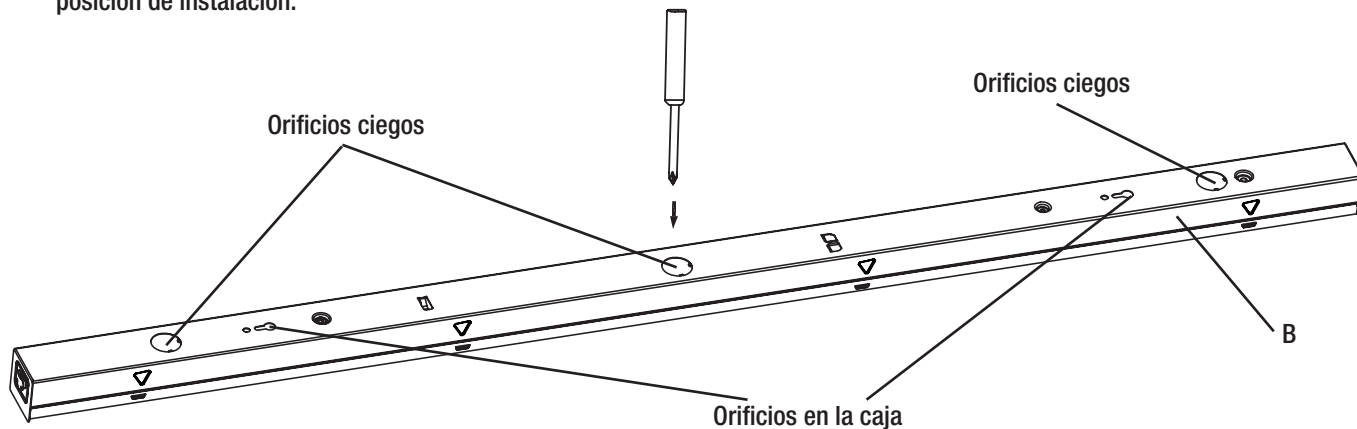
- Después de separar el difusor de la caja de la lámpara, desenchufe el conector de cable para desconectar los cables terminal.



Montaje en superficie (continuación)

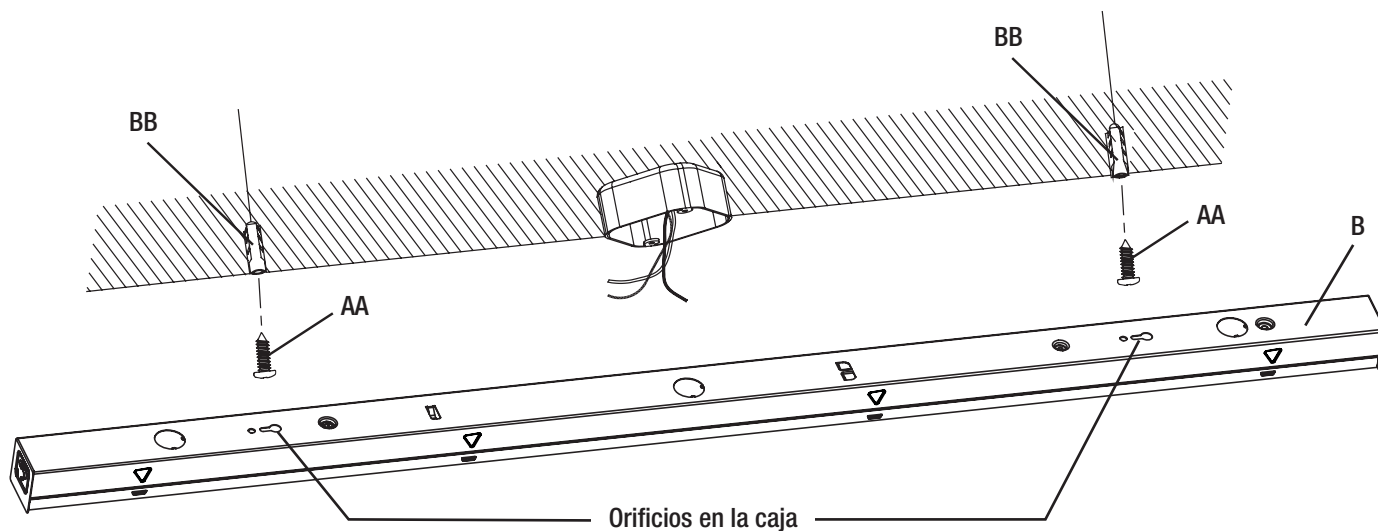
3 Retire uno de los agujeros ciegos en la lámpara

- Sostenga la caja de la lámpara (B) hasta el techo para determinar qué agujero ciego usar para el cableado de la lámpara.
- Marque las dos posiciones de montaje de los agujeros ciegos en el techo.
- Con un destornillador, puntee uno de los cinco agujeros ciegos grandes en la caja de la lámpara (B) para conectar en función de la posición de instalación.



4 Preparar la lámpara para la instalación

- Taladre un orificio piloto de 1/8 pulgadas en los sitios de los tornillos marcados en el techo. También puede usar una lezna o clavo para marcar los orificios de los tornillos.
- Instale un anclaje para picra (BB) y un tornillo de montaje (AA) en cada uno de los orificios, pero no los apriete completamente.



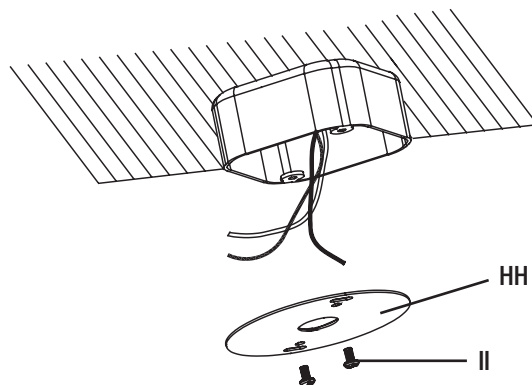
Montaje en superficie (continuación)

5 Fijar la cubierta de la caja eléctrica

- Pase los cables eléctricos de la caja eléctrica a través del centro de la cubierta de la caja eléctrica (HH - no se incluyen).
- Asegure la cubierta (HH - no se incluyen) a la caja eléctrica con los tornillos de montaje (II - no se incluyen).

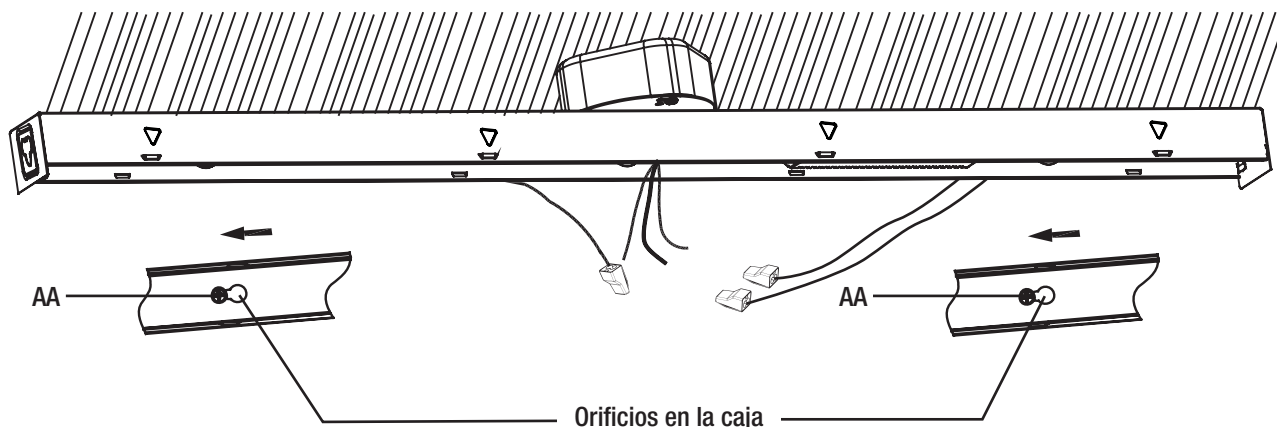


NOTA: El kit de hardware para montaje en superficie se vende como accesorio independiente. Visite www.ETiSSL.com para obtener más información y realizar una compra.



6 Fijar la lámpara

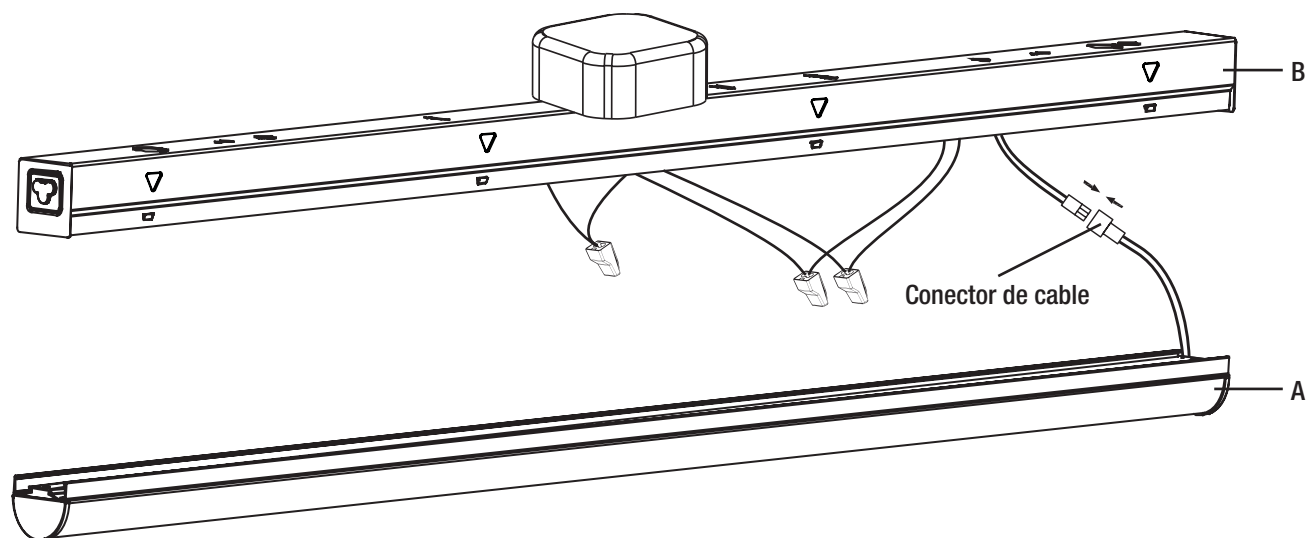
- Pase los cables eléctricos de la caja eléctrica a través del agujero abierto en la caja de la lámpara (B).
- Alinee los agujeros ciegos de montaje que están en la caja de la lámpara (B) con los 2 tornillos (AA) de montaje del techo.
- Una vez que ambas cabezas de tornillos salgan por los extremos grandes de los agujeros, deslice la caja de la lámpara (B) hacia la izquierda hasta que las cabezas de los tornillos (AA) pasen por los extremos angostos de los agujeros
- Termine de ajustar los tornillos de montaje (AA) hasta que la caja (B) esté segura y fija en la superficie de montaje.



Montaje en superficie (continuación)

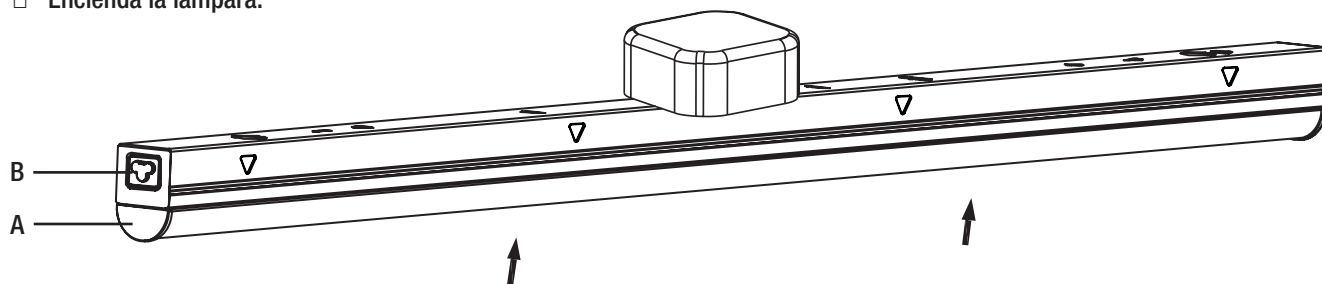
7 Hacer las conexiones eléctricas

- Inserte los cables energizado y neutro (negro y blanco) de la caja eléctrica en los conectores de los cables del mismo color de la carcasa (B).
- Inserte el cable de conexión a tierra de la caja eléctrica en el conector del cable verde de la carcasa (B).
- Vuelva a conectar los cables terminales con el conector de cable adjunto.



8 Fijar el difusor a la caja de la lámpara

- Chasque el difusor (A) en el caja de la lámpara (B).
- Restaure la alimentación de la caja eléctrica.
- Encienda la lámpara.



Instalación suspendida

Seleccione una ubicación adecuada que pueda soportar el peso del dispositivo. Determine el método para montar el accesorio antes de perforar, según el tipo de techo.

1 Marque dos puntos en el techo

- Marque dos puntos en el techo a 16,92 pulg. (430 mm) / 33,66 pulg. (855 mm) de separación para el montaje en suspensión antes de la instalación.

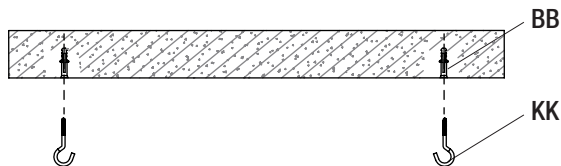


MONTAJE EN TECHO DE PARED DE YESO:

- Taladre un taladro de 1/8 pulg. orificio piloto en cada una de las ubicaciones de los tornillos marcadas en el techo. También puede usar un punzón o un clavo para hacer hoyuelos en los orificios de los tornillos.
- Instale un anclaje para paneles de yeso (BB) y un tornillo de gancho (KK) en cada orificio de montaje perforado.

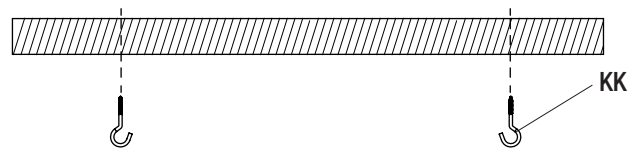


NOTA: Los anclajes para paneles de yeso (BB) solo deben usarse para montar el accesorio en superficies de yeso o paneles de yeso.



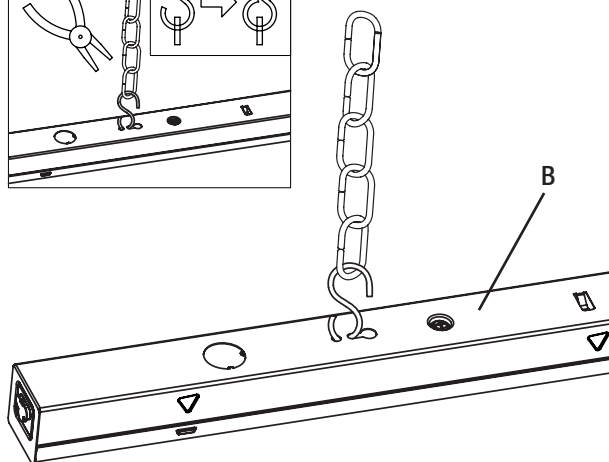
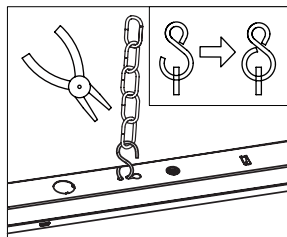
MONTAJE EN TECHO DE MADERA:

- Taladre un orificio piloto de 1/16 pulg. De diámetro en el techo.
- Apriete el tornillo del gancho (KK) en la madera.



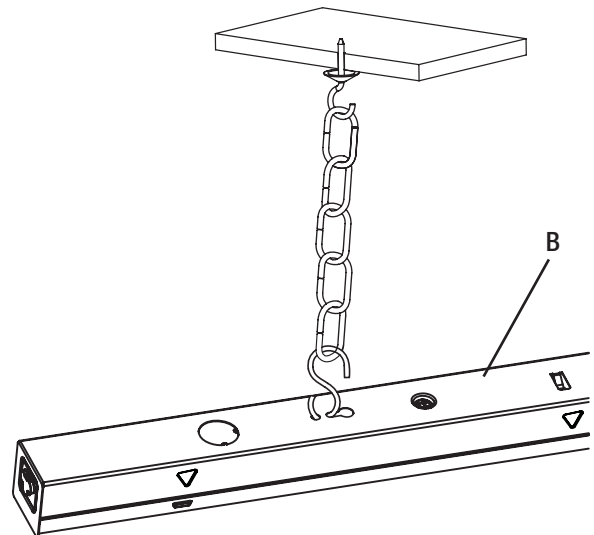
2 Sujetar la lámpara a la cadena

- Fije el gancho S en la parte inferior de la cadena de montaje a la percha en la luz del taller. Repita este paso en el otro lado del accesorio. Luego cierre todos los ganchos con unos alicates para asegurarlos.



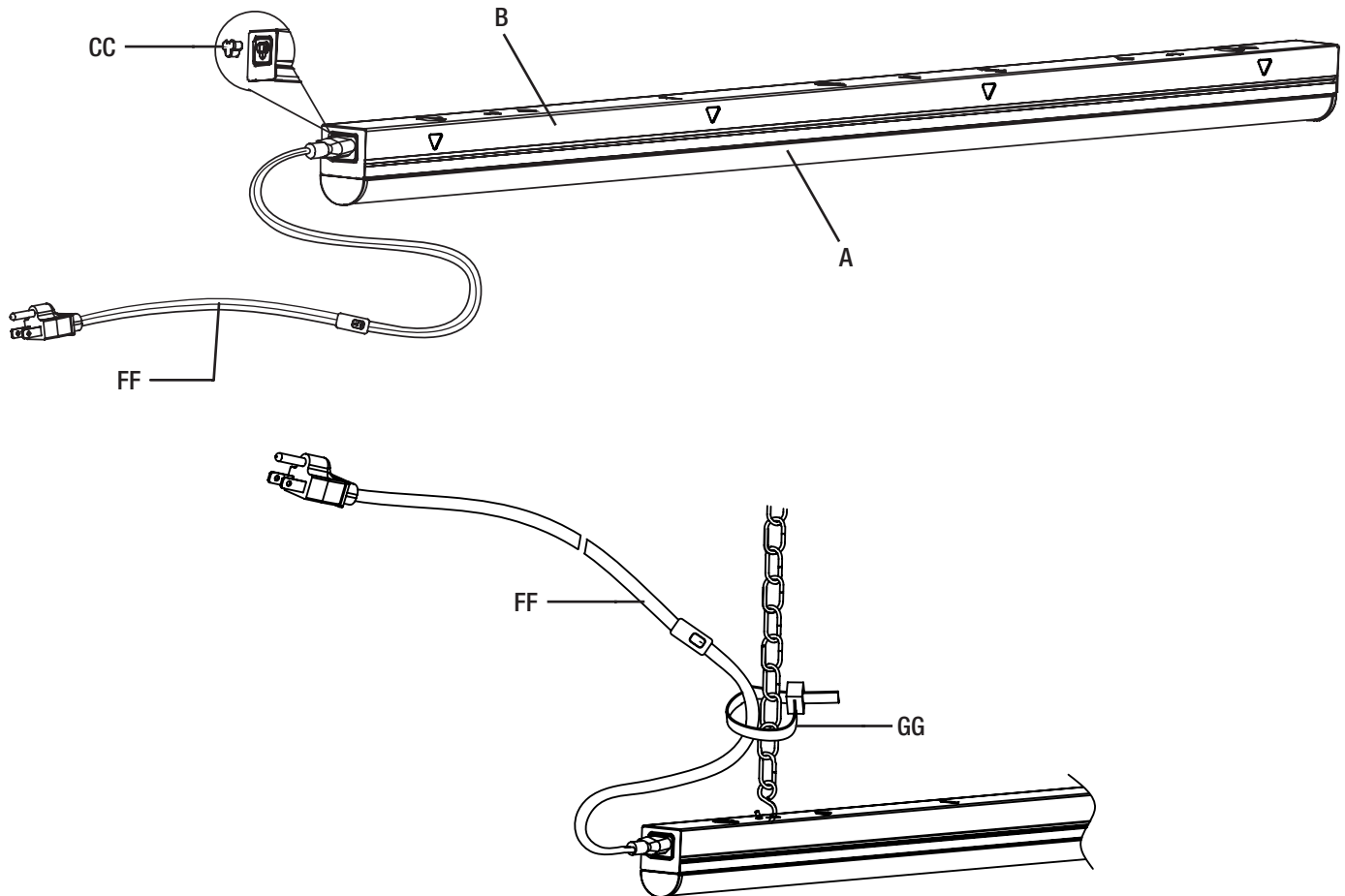
3 Sujetar la cadena al techo

- Cuelgue el accesorio (B) colocando una cadena (EE) sobre cada tornillo de gancho (KK) que se haya instalado en el techo.
- Ajuste las cadenas para nivelar la luz. El accesorio debe colgar al menos 3 pulgadas del techo.



Instalación suspendida (continuación)

4 Conexión del cable de alimentación opcional / incluido



NOTA: Asegúrese de que la distancia entre el receptáculo eléctrico y el extremo de la lámpara es inferior a 5 pies cuando se utiliza el método de instalación enchufable.

- Retire el tapón de la cubierta final (CC) de la barra de luz LED.
- Enchufe el cable de alimentación (FF) en el extremo de la caja de la lámpara (B) y luego conecte el otro extremo del cable de alimentación (FF) a un receptáculo eléctrico.
- Fije el cable de alimentación al techo utilizando abrazaderas de cable o pasacable (no se incluyen).
- Adjuntar el cable eléctrico (FF) a la cadena con la corbata de cable (GG) suministrada.
- Encienda la lámpara.

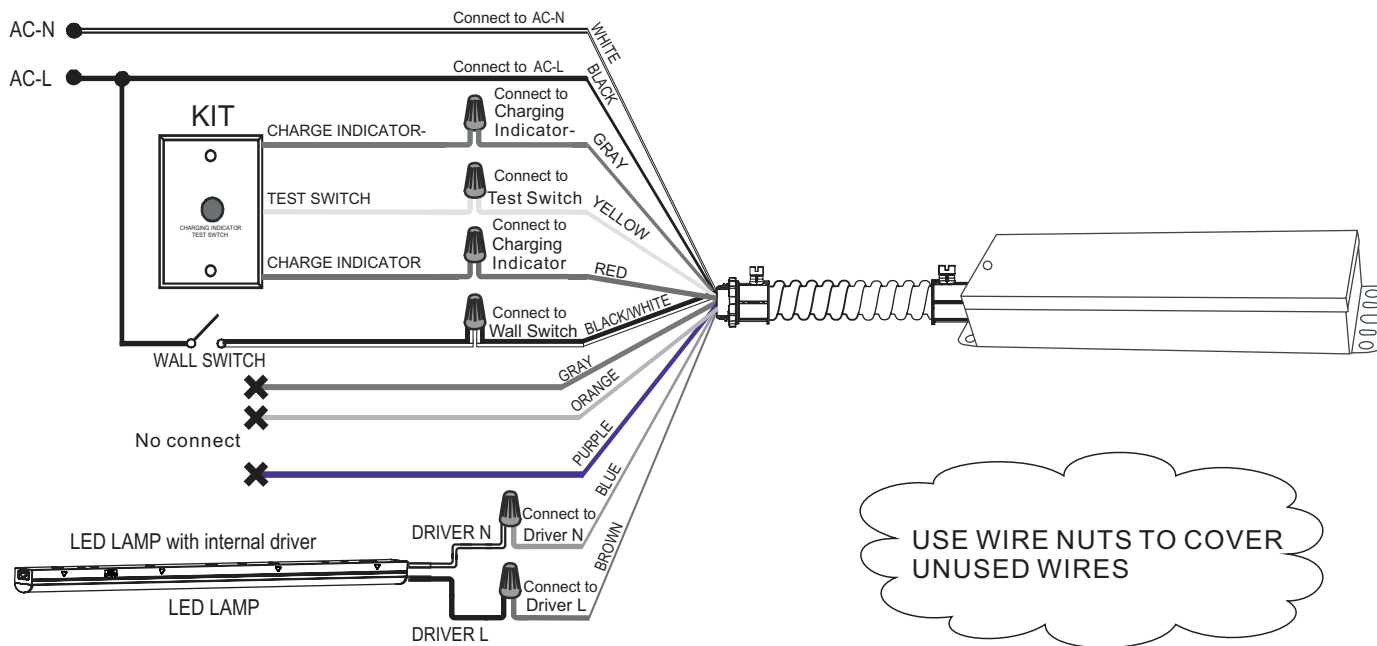


NOTA: Cuando se utiliza el montaje suspendido mediante el método de instalación enchufable, asegúrese de que la lámpara se encuentra directamente debajo del receptáculo eléctrico y que la distancia entre el receptáculo eléctrico y el extremo de lámpara es inferior a 5 pies.
NOTA: Contratista de instalación responsable de cumplir con los códigos eléctricos locales durante la instalación.

Installation (suite)

La tira de luz es compatible con la batería de respaldo, comuníquese con ETI SSL para comprar la batería de respaldo (el número de modelo de la marca ETI es 70112202-2 o 70114402-2).

Diagrama de cableado como se muestra a continuación:



- La tabla muestra la cantidad máxima de tiras de luces enlazables que se pueden conectar a una sola BBU en función del vataje de las BBU.

Modelo	24W BBU (Max 150W)	40W BBU (Max 300W)
556081110	17	35
556091110	8	16

Función de enlace



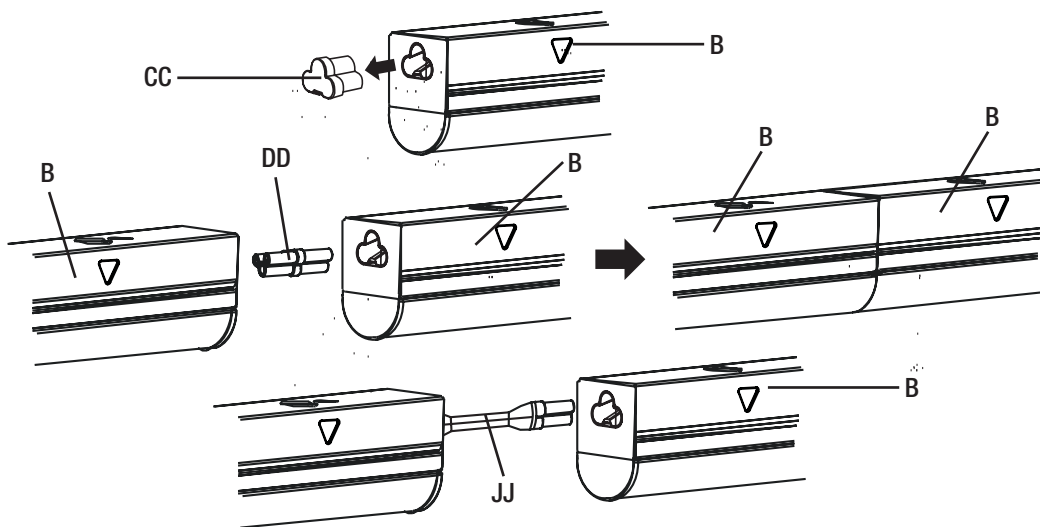
ADVERTENCIA: RIESGO DE DESCARGA ELÉCTRICA. Desconecte la energía eléctrica en la barra de luz antes de enlazar otras barras de luz.

- Se pueden conectar varios dispositivos de iluminación, pero solo el primer dispositivo de iluminación debe enchufarse a un tomacorriente o conectarse directamente a una caja eléctrica.



ADVERTENCIA: Proporcionar energía a las barras sólo después de todas las conexiones de enlace se han hecho.

- Quite la cubierta del extremo (CC) de un extremo de cada cuerpo de la luminaria (B) que se vinculará.
- Inserte firme y completamente el conector de extremo a extremo (DD) o el cable de enlace (JJ/LL) en el receptáculo abierto en el extremo de cada cuerpo de artefacto (B).



ADVERTENCIA: RIESGO DE DESCARGA ELÉCTRICA. Si el receptáculo del extremo del dispositivo no se utiliza para enlazar una otra barra, el receptáculo debe cerrarse con el capuchón de extremos (CC). No toque las piezas con energía eléctrica dentro del receptáculo.

- Conecte hasta un máximo de 30 barras de luz. No exceda de 300 vatios en total para las barras interconectadas. La tabla muestra la cantidad máxima de barras de luz que se pueden conectar, según la potencia.

Modelo #	Longitud	Vatios	Número máximo de barras conectadas
556081110	2 pies (60,9 cm)	8.5 Vatios	30
556091110	4 pies (121 cm)	17 Vatios	15



PRECAUCIÓN: Por seguridad, las barras de luz enlazables se pueden instalar como cable enchufable o directo, pero nunca una combinación de ambas.

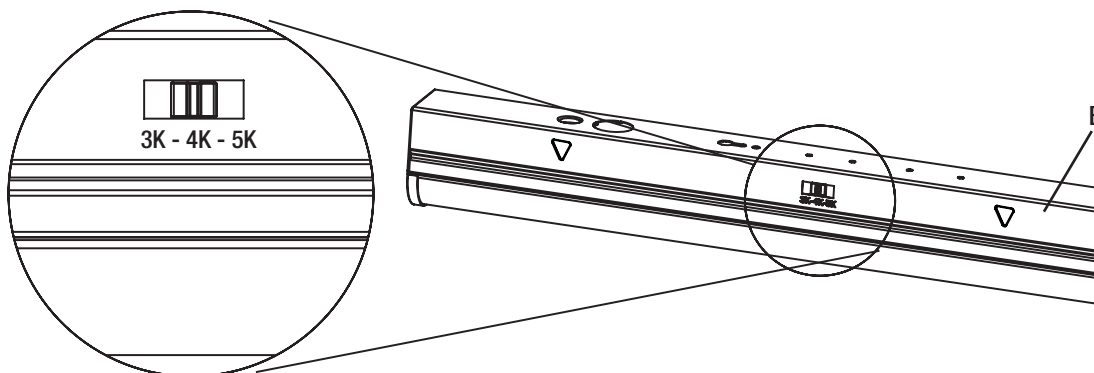
Ajuste de la temperatura de color de la luz

Esta lámpara LED le permite personalizar la temperatura de color de la luz usando tres configuraciones: blanco suave, blanco brillante o luz diurna

- Mueva el interruptor de palanca en el cuerpo del dispositivo (B) para elegir su temperatura de color correlacionada (CCT) favorita entre tres opciones: 3000k blanco suave, 4000k blanco brillante o 5000k luz del día.



NOTA: El ajuste de fábrica para la temperatura de color correlacionada (CCT) es 3000K, que es la luz blanca más cálida.



Cuidado y limpieza



PRECAUCIÓN: Antes de limpiar la lámpara, desconecte el suministro eléctrico hacia este apagando el cortacircuitos o extrayendo el fusible de la caja de fusibles.

- Limpie la lámpara con un paño suave y seco.
- No utilice limpiadores con productos químicos, solventes o abrasivos.
- No use limpiador líquido en las bombillas LED, en la unidad LED ni en los cables que están dentro de la lámpara.

Solución de problemas



ADVERTENCIA: Antes de realizar cualquier trabajo en la lámpara, desconecte la electricidad que la alimenta.

Los problemas menores pueden arreglarse sin ayuda de un electricista.

Problema	Posible causa	Medida correctiva
La lámpara no enciende.	El suministro eléctrico está cortado.	Asegúrese de que el suministro eléctrico esté activado.
	El interruptor está apagado.	Asegúrese de que el interruptor esté en la posición de encendido.
	Hay una mala conexión.	Revise para asegurarse de que se hayan conectado los cables de forma correcta. Comuníquese con un electricista calificado.
	Hay un interruptor defectuoso.	Comuníquese con un electricista calificado.
El fusible se quema o salta el interruptor cuando se enciende la lámpara.	Los cables están cruzados o el cable de suministro eléctrico no está puesto a tierra.	Verifique las conexiones de los cables. Comuníquese con un electricista calificado o llame al Centro de Atención al Cliente de ETISSL 1-855-384-7754.



**¿Preguntas, problemas, piezas faltantes?
Llame al Centro de Atención al Cliente de ETi en el horario de
8 a.m. - 5 p.m., HSC, de lunes a viernes.**

1-855-ETI-SSLI (1-855-384-7754)

www.ETiSSL.com

Conserve este manual para uso futuro.