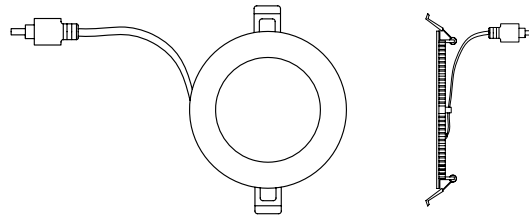




Questions?

For customer service please call us at 1-310-787-1100
Office Hours: 8:00 a.m. – 5:00 p.m. PST Monday-Friday



6" LED
Ultra Slim Downlight

PLEASE REVIEW THE INSTRUCTIONS AND WARNINGS LISTED BELOW PRIOR TO PROPER INSTALLATION

WARNINGS

BE SURE THE POWER IS OFF! The Risk of electric shock always uses the switch to power off. Do not perform any operations while this unit is powered on. The electrical system you want to connect the device must be grounded. Read the instructions before using or powering this device. The safety instructions must be taken into account and respected to avoid user error, which can cause damages. The operating instructions must remain with the unit in case of transfer. Any damage to the device linked to an inappropriate use is excluded from support by the warranty. Before connecting, make sure that the current and voltage are compatible with this device. We highly recommend that all installations are made by a QUALIFIED ELECTRICIAN. We are NOT responsible for any means for the use or misuse of the following information. We are NOT responsible in whole or in part for any harm or damage that may or may not be caused. We reserve the right to revise the components of any product, due to part availability or change in ETL, CUL or UL standards without assuming any obligation or liability to modify any products previously manufactured and without notice. These instructions do not cover all details or variations in equipment, nor do they provide every possible contingency to be met. Turn off / unplug the power when installing or servicing this device. FAILURE TO FULLY INSTALL THIS PRODUCT MIGHT RESULT IN AN ELECTRICAL HAZARD

**CONSULT A QUALIFIED ELECTRICIAN TO ENSURE CORRECT BRANCH CIRCUIT CONDUCTOR.
MINIMUM 90° C (194° F) SUPPLY CONDUCTORS.**

THIS PRODUCT MUST BE INSTALLED IN ACCORDANCE WITH THE APPLICABLE INSTALLATION CODE BY A PERSON FAMILIAR WITH THE CONSTRUCTION AND OPERATION OF THE PRODUCT AND THE HAZARDS ASSOCIATED.

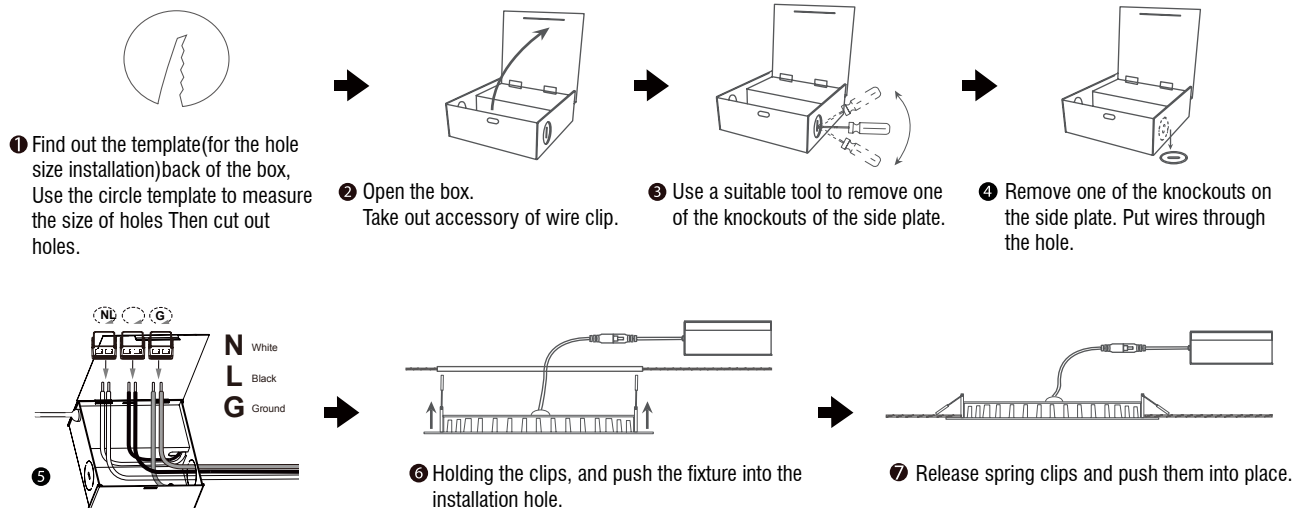
HOLE CUT SIZE

6"

ROUND

Ø 174MM

INSTALLATION



THIS PRODUCT MAY NOT BE COMPATIBLE WITH ALL DIMMERS, FOR MORE INFORMATION ABOUT DIMMER COMPATIBILITY PLEASE VISIT: WWW.EURLIGHTING.COM

©2019. Euri Lighting | A Division of IRTRONIX Inc. All Rights Reserved